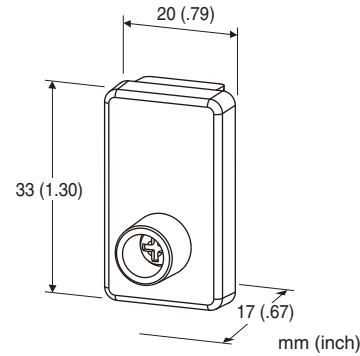


**Super-mini Signal Conditioners Mini-M Series**

**SOCKET COVER, M2BS USE**

**Functions & Features**

- Socket cover for empty slots (Installation Base: model M2BSx, M2BC, M2BD)



**MODEL: P-M2**

**ORDERING INFORMATION**

- Code number: P-M2

**GENERAL SPECIFICATIONS**

**Mounting screw:** M3 screw attached (torque 0.3 N·m)

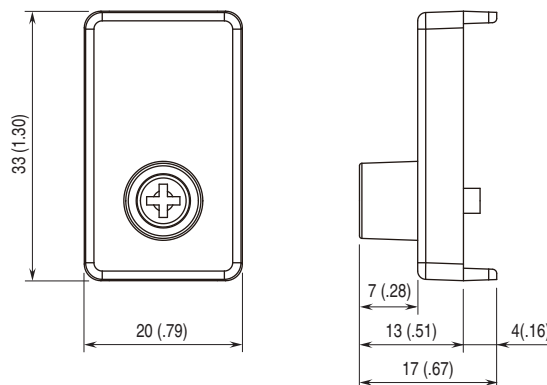
**Housing material:** Flame-resistant resin (black)

**INSTALLATION**

**Mounting:** Installation Base (model: M2BSx, M2BC or M2BD)

**Weight:** 5 g (0.18 oz)

**DIMENSIONS unit: mm (inch)**



Specifications are subject to change without notice.

