

Super-mini Signal Conditioners Mini-M Series

CURRENT REPEATER

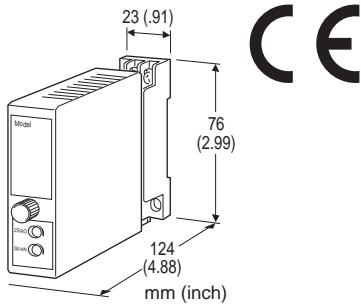
(applicable to HART signal)

Functions & Features

- Isolation between 2-wire transmitters and current loop supplies
- Isolates and relays HART signals
- Shortcircuit protection
- Opencircuit detection
- Applicable to smart transmitters
- CE marking

Typical Applications

- 2-wire HART transmitters



MODEL: M2DYHR-24-[1][2]

ORDERING INFORMATION

- Code number: M2DYHR-24-[1][2]
Specify a code from below for [1] and [2].
(e.g. M2DYHR-24-M2/B/CE/Q)
- Specify the specification for option code /Q
(e.g. /C01/S01)

SUPPLY OUTPUT

24: 24 V DC

INPUT

Current

4 - 20 mA DC (Input resistance approx. 250 Ω)

OUTPUT

Current

4 - 20 mA DC (Supply voltage: 12 - 32 V DC)

[1] POWER INPUT

AC Power

M2: 100 - 240 V AC (Operational voltage range 85 - 264 V,

47 - 66 Hz)

DC Power

R: 24 V DC

(Operational voltage range 24 V \pm 10 %, ripple 10 %p-p max.)

R2: 11 - 27 V DC

(Operational voltage range 11 - 27 V, ripple 10 %p-p max.)

(Select '/N' for 'Standards & Approvals' code.)

P: 110 V DC

(Operational voltage range 85 - 150 V, ripple 10 %p-p max.)

[2] OPTIONS (multiple selections)

Opencircuit detection

blank: none

/B: Opencircuit detector

Standards & Approvals (must be specified)

/N: Without CE

/CE: CE marking

blank: none

/Q: With options (specify the specification)

SPECIFICATIONS OF OPTION: Q (multiple selections)

COATING (For the detail, refer to M-System's web site.)

/C01: Silicone coating

/C02: Polyurethane coating

/C03: Rubber coating

TERMINAL SCREW MATERIAL

/S01: Stainless steel

GENERAL SPECIFICATIONS

Construction: Plug-in

Connection: M3 screw terminals (torque 0.8 N·m)

Housing material: Flame-resistant resin (black)

Isolation: Input to output to power

Overrange output: Approx. -10 to +110 %

Zero adjustment: -5 to +5 % (front)

Span adjustment: 95 to 105 % (front)

Opencircuit detection: Input current 0 mA when the output loop is open.

Photo MOS Relay ON Resistance; 3 Ω max.

SUPPLY OUTPUT

(across the terminals 1 - 5)

Output voltage: 24 - 28 V DC with no load

18 V DC min. at 20 mA

Current rating: \leq 22 mA DC

• Shortcircuit Protection

Current limited: 30 mA max.

Protected time duration: No limit



INPUT SPECIFICATIONS

- **DC Current:** Input resistor incorporated

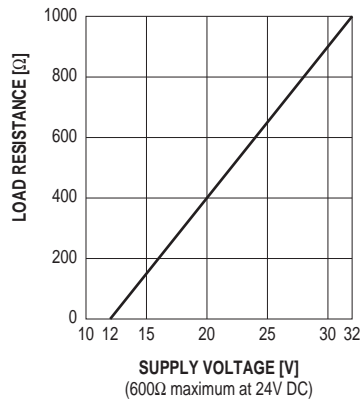
OUTPUT SPECIFICATIONS

- **Load resistance vs. supply voltage:**

Load Resistance (Ω) = (Supply Voltage (V) - 12 (V)) \div 0.02 (A)

(including leadwire resistance)

250 Ω \pm 10 % for HART communication



STANDARDS & APPROVALS

CE conformity:

EMC Directive (2004/108/EC)

EMI EN 61000-6-4: 2007

EMS EN 61000-6-2: 2005

Low Voltage Directive (2006/95/EC)

EN 61010-1: 2001

Installation Category II

Pollution Degree 2

Input or output to power: Reinforced insulation (300 V)

Input to output: Basic insulation (300 V)

HART COMMUNICATION

Transmission gain: Approx. -3 dB (within 1 k - 3 kHz)

measured with 250 Ω at output

Communication directions: Bidirectional

INSTALLATION

Power Consumption

•AC Power input:

Approx. 4 VA at 100 V

Approx. 6 VA at 200 V

Approx. 7 VA at 264 V

•DC power input: Approx. 3 W

Operating temperature: -5 to +55°C (23 to 131°F)

Operating humidity: 30 to 90 %RH (non-condensing)

Mounting: Surface or DIN rail

Weight: 150 g (0.33 lbs)

PERFORMANCE in percentage of span

Accuracy: \pm 0.1 %

Temp. coefficient: \pm 0.015 %/°C (\pm 0.008 %/°F)

Response time: \leq 0.5 sec. (0 - 90 %)

Line voltage effect

Supply output: \pm 3 % over voltage range

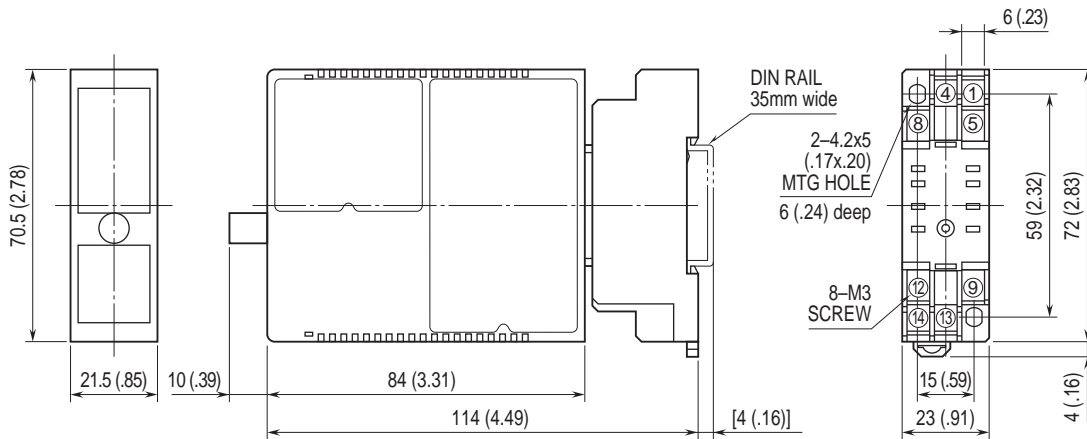
Output signal: \pm 0.1 % over voltage range

Insulation resistance: \geq 100 M Ω with 500 V DC

Dielectric strength: 2000 V AC @1 minute (input to output to power to ground)

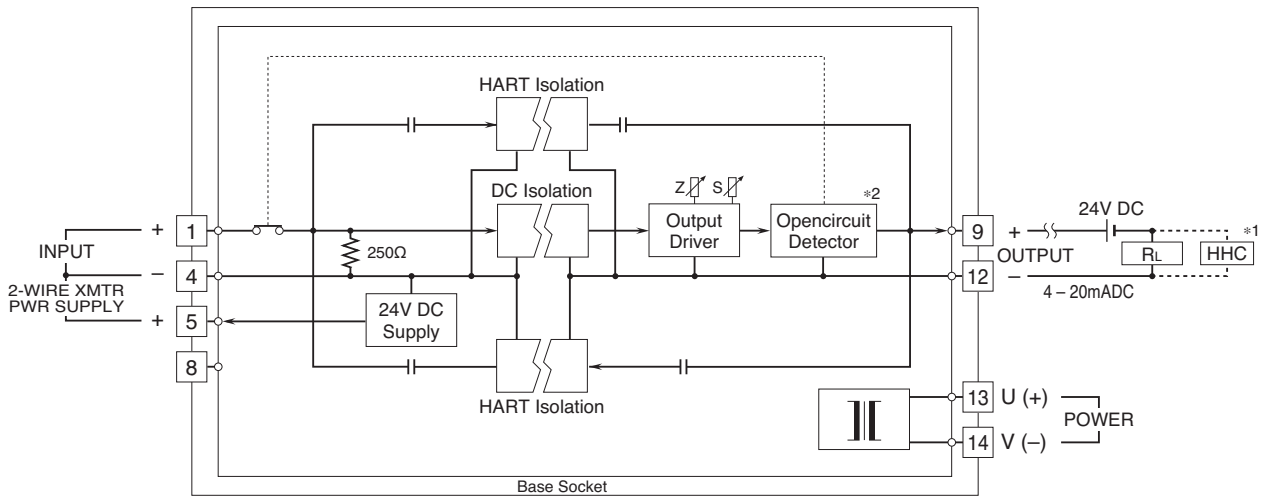


DIMENSIONS unit: mm (inch)



• When mounting, no extra space is needed between units.

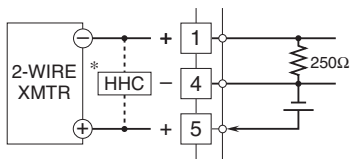
SCHEMATIC CIRCUITRY & CONNECTION DIAGRAM



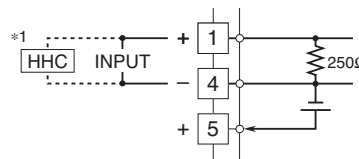
*1. Hand-held communicator

*2. Only for opencircuit detector (code /B)

■ When Used as DC Supply



■ When Used as Isolator



Specifications are subject to change without notice.