

## Super-mini Signal Conditioners Mini-M Series

### CURRENT LOOP SUPPLY

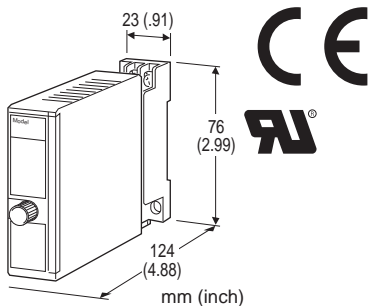
(non-isolated)

#### Functions & Features

- Powers a 4 - 20 mA DC current loop
- Electrically isolating output signal from power input
- Shortcircuit protection
- Applicable to smart transmitters
- CE marking for 24 V DC power
- UL approval for 24 V DC power

#### Typical Applications

- Various 2-wire transmitters



### MODEL: M2D-24-[1][2]

#### ORDERING INFORMATION

- Code number: M2D-24-[1][2]
- Specify a code from below for [1] and [2].  
(e.g. M2D-24-R/CE/Q)
- Specify the specification for option code /Q  
(e.g. /C01/S01)

#### SUPPLY OUTPUT

24: 24 V DC

#### INPUT

##### Current

4 - 20 mA DC (Input resistance 250 Ω)

#### OUTPUT 1

##### Voltage

1 - 5 V DC (Load resistance 250 kΩ min.)

#### OUTPUT 2

##### Current

4 - 20 mA DC

### [1] POWER INPUT

#### AC Power

M: 85 - 264 V AC (Operational voltage range 85 - 264 V, 47 - 66 Hz)

(Select '/N' for 'Standards & Approvals' code.)

#### DC Power

R: 24 V DC

(Operational voltage range 24 V ±10 %, ripple 10 %p-p max.)

R2: 11 - 27 V DC

(Operational voltage range 11 - 27 V, ripple 10 %p-p max.)

(Select '/N' for 'Standards & Approvals' code.)

P: 110 V DC

(Operational voltage range 85 - 150 V, ripple 10 %p-p max.)

(Select '/N' for 'Standards & Approvals' code.)

### [2] OPTIONS (multiple selections)

#### STANDARDS & APPROVALS (must be specified)

/N: Without CE or UL

/CE: CE marking

/UL: UL approval (CE marking)

#### OTHER OPTIONS

blank: none

/Q: Option other than the above (specify the specification)

(UL not available)

#### SPECIFICATIONS OF OPTION: Q (multiple selections)

##### COATING (For the detail, refer to M-System's web site.)

/C01: Silicone coating

/C02: Polyurethane coating

/C03: Rubber coating

##### TERMINAL SCREW MATERIAL

/S01: Stainless steel

#### GENERAL SPECIFICATIONS

Construction: Plug-in

Connection: M3 screw terminals (torque 0.8 N·m)

Housing material: Flame-resistant resin (black)

Isolation: Input or output to power

#### SUPPLY OUTPUT

Output voltage: 24 - 28 V DC with no load

Current rating: ≤ 22 mA DC

• Shortcircuit Protection

Current limited: 35 mA max.

Protected time duration: No limit

#### INPUT SPECIFICATIONS

• DC Current: Input resistor incorporated



**INSTALLATION**

**Power Consumption**

**•AC Power input:**

Approx. 3 VA at 100 V

Approx. 4 VA at 200 V

Approx. 5 VA at 264 V

**•DC Power input:** Approx. 3 W

**Operating temperature:** -5 to +55°C (23 to 131°F)

**Operating humidity:** 30 to 90 %RH (non-condensing)

**Mounting:** Surface or DIN rail

**Weight:** 150 g (0.33 lbs)

**PERFORMANCE in percentage of span**

**Accuracy:** ±0.1 % (accuracy of the receiving resistor)

**Temp. coefficient:** ±0.003 %/°C (±0.002 %/°F) (temp. coefficient of the receiving resistor)

**Line voltage effect to supply output:** ±3 % over voltage range

**Insulation resistance:** ≥ 100 MΩ with 500 V DC

**Dielectric strength:** 2000 V AC @1 minute (input or output to power to ground)

**STANDARDS & APPROVALS**

**CE conformity:**

EMC Directive (2004/108/EC)

EN 61000-6-4 (EMI)

EN 61000-6-2 (EMS)

**Approval:**

UL nonincendive Class I, Division 2,

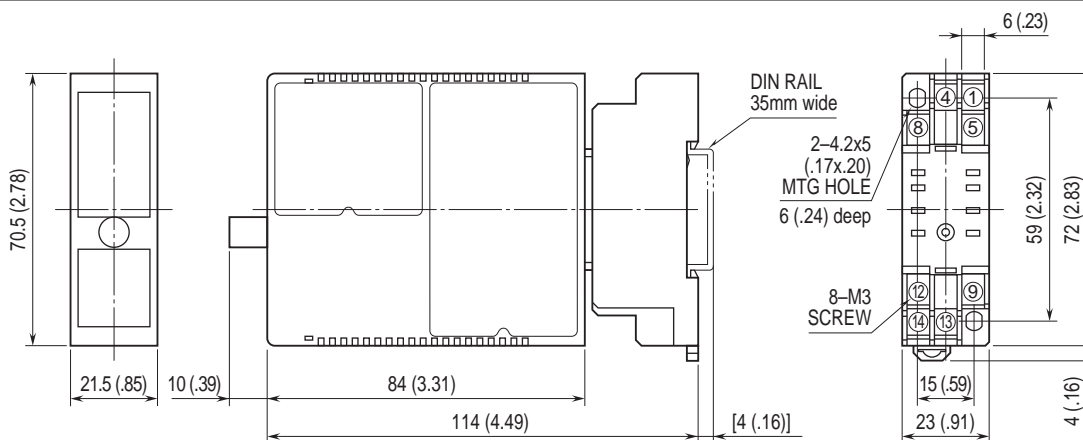
Groups A, B, C, and D hazardous locations

(UL 1604)

UL general safety requirements

(UL 61010B-1)

**DIMENSIONS unit: mm (inch)**

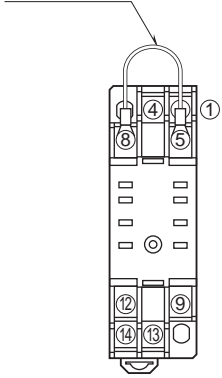


• When mounting, no extra space is needed between units.

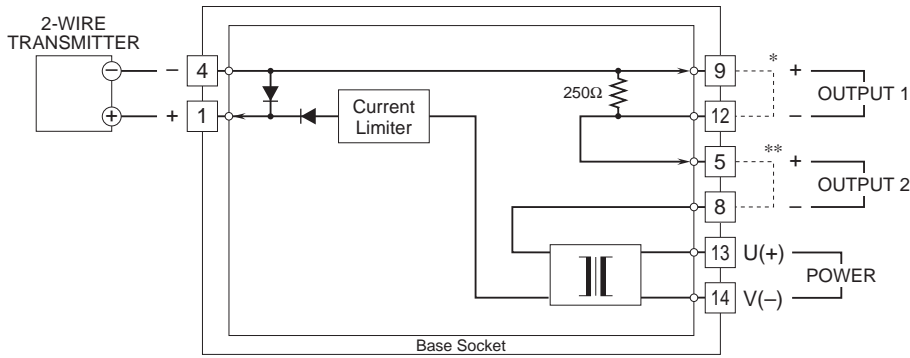


**TERMINAL ASSIGNMENTS**

SHORTCIRCUIT WIRE



**SCHEMATIC CIRCUITRY & CONNECTION DIAGRAM**



- \* Short across these terminals for large voltage allowance at Output 2.  
Be sure to match specifications of smart transmitter.  
Do not connect a capacitive load to Output 1.
- \*\*Short across these terminals when not using output 2.



Specifications are subject to change without notice.

