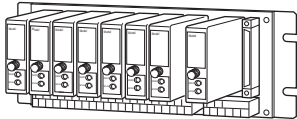


Super-mini Signal Conditioners Mini-M Series

INSTALLATION BASE (8 positions)

Functions & Features

- Receiving at the maximum of 8 modules of Mini-M series signal conditioners
- Connector output
- Power supplied through printed wiring on the base



MODEL: M2BS-8[1][2]

ORDERING INFORMATION

- Code number: M2BS-8[1][2]

Specify a code from below for each [1] and [2].

(e.g. M2BS-8U2/D/UL)

[1] FUNCTION

U1: Fujitsu FCN type I/O connector (UL not available)

U2: Omron I/O connector

[2] OPTIONS (multiple selections)

Mounting

blank: Surface

/D: DIN rail mounting adaptor

Standards & Approvals

blank: Without UL

/UL: UL approval

RELATED PRODUCTS

- Connector terminal block (model: CNT)
- Special cable with 40-pin connector (model: FCN)

GENERAL SPECIFICATIONS

Capacity: 8 positions

Connection

Power input: M3 screw terminals (torque 0.8 N·m)

Input and output: M3 screw terminals (torque 0.8 N·m)

Screw terminal: Nickel-plated steel

INSTALLATION

Power input: Refer to signal conditioner data sheet. Choose the same power input specification for all units.

Operating temperature: -5 to +55°C (23 to 131°F)

Operating humidity: 30 to 90 %RH (non-condensing)

Mounting: wall; optional DIN rail mounting available (in horizontal direction only)

Weight: 780 g (1.72 lb)

PERFORMANCE

Insulation resistance: $\geq 100 \text{ M}\Omega$ with 500 V DC

(input to output to power to FG)

Dielectric strength: 2000 V AC @1 minute (input to output to power to FG)

STANDARDS & APPROVALS

CE conformity:

EMC Directive (2004/108/EC)

EMI EN 61000-6-4: 2007/A1: 2011

EMS EN 61000-6-2: 2005

Low Voltage Directive (2006/95/EC)

EN 61010-1: 2010

Installation Category II

Pollution Degree 2

Input or output to power: Reinforced insulation (300 V)

Input to output: Basic insulation (300 V)

Approval:

UL/C-UL nonincendive Class I, Division 2,

Groups A, B, C, and D

(ANSI/ISA-12.12.01:2012, CAN/CSA-C22.2 No.213:1987)

UL/C-UL general safety requirements

(UL 3111-1:1994, CAN/CSA-C22.2 No.1010-1:1992)

Voltage at the field I/O terminals (except power input terminals) limited within 30 V DC for UL.



CONNECTION DIAGRAM

■ **MODEL: M2BS-8U1 (Fujitsu FCN type I/O connector FCN364P040-AU)**

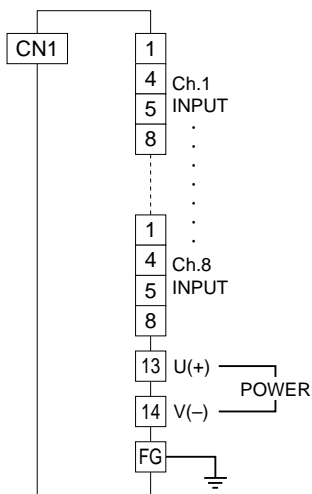
• Connector Pin Assignment

CN1: output

PIN NO.	ASSIGNMENT	PIN NO.	ASSIGNMENT
A1	ch.1 +	B1	ch.1 -
A2	ch.2 +	B2	ch.2 -
A3	ch.3 +	B3	ch.3 -
A4	ch.4 +	B4	ch.4 -
A5	ch.5 +	B5	ch.5 -
A6	ch.6 +	B6	ch.6 -
A7	ch.7 +	B7	ch.7 -
A8	ch.8 +	B8	ch.8 -

A9 - A20, B9 - B20: Unused

■ **CONNECTION DIAGRAM**



■ **MODEL: M2BS-8U2 (Omron I/O connector XG4A-3431)**

• Connector Pin Assignment

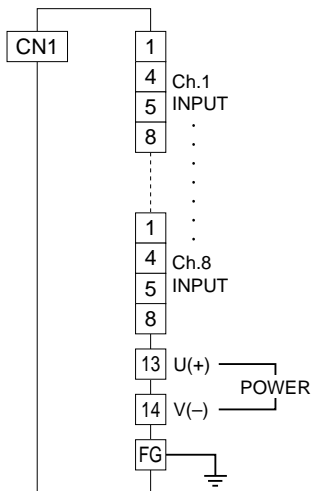
CN1: output

PIN NO.	ASSIGNMENT	PIN NO.	ASSIGNMENT
1	ch.1 +	2	ch.1 -
3	ch.2 +	4	ch.2 -
5	ch.3 +	6	ch.3 -
7	ch.4 +	8	ch.4 -
9	ch.5 +	10	ch.5 -
11	ch.6 +	12	ch.6 -
13	ch.7 +	14	ch.7 -
15	ch.8 +	16	ch.8 -

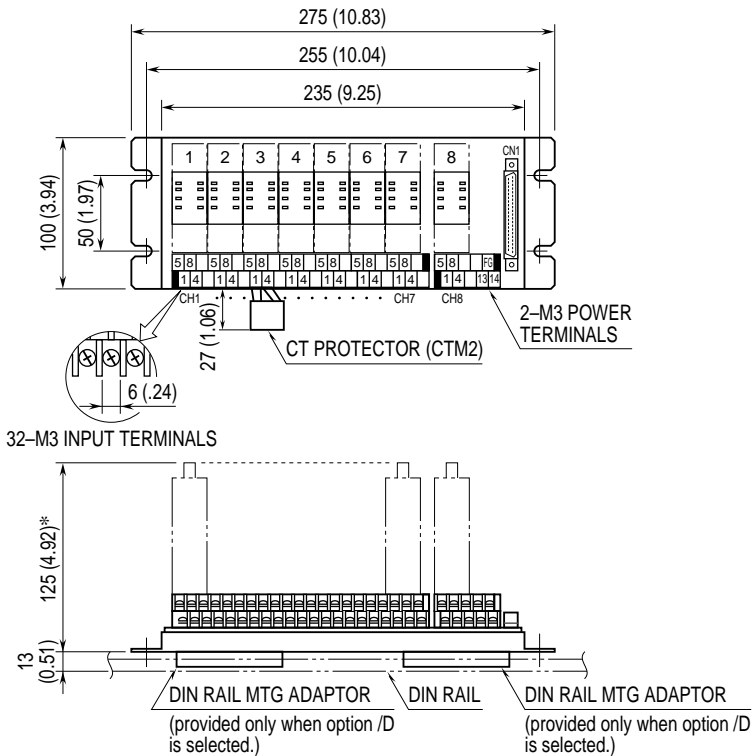
17 - 34: Unused



CONNECTION DIAGRAM

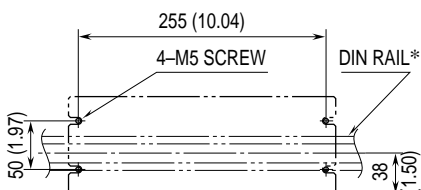


DIMENSIONS unit: mm (inch)



*165 (6.50) required for pneumatic tubing for M2PV.

MOUNTING REQUIREMENTS unit: mm (inch)



*Installed in horizontal direction only.





Specifications are subject to change without notice.



幸託有限公司
XIN TOP CORPORATION

TEL : (02)2598-1199
FAX : (02)2596-2331

E-mail : info@xintop.com
Website : www.xintop.com