

Dual Output Plug-in Signal Conditioners W-UNIT

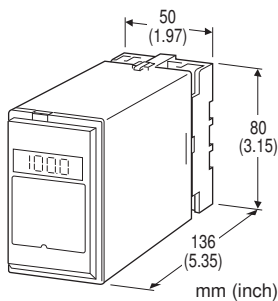
CURRENT LOOP SUPPLY

Functions & Features

- Powering a 4 – 20 mA DC current loop
- Shortcircuit protection
- Applicable to smart transmitters
- Isolation up to 2000 V AC
- LCD meter
- High-density mounting

Typical Applications

- Various 2-wire transmitters
- Isolation application (4 – 20 mA input)



MODEL: WDY-[1][2]-[3][4]

ORDERING INFORMATION

• Code number: WDY-[1][2]-[3][4]
 Specify a code from below for each [1] through [4].
 (e.g. WDY-A6-B/E/Q)
 • Special output range (For codes Z & 0)
 • Specify the specification for option code /Q
 (e.g. /C01/S01)
 Note: When the user requires a current and a voltage output, specify the current to be the Output 1 which allows a greater load.

INPUT

Current

4 – 20 mA DC (Input resistance 250 Ω)

[1] OUTPUT 1

Current

- A: 4 – 20 mA DC (Load resistance 600 Ω max.)
- B: 2 – 10 mA DC (Load resistance 1200 Ω max.)
- C: 1 – 5 mA DC (Load resistance 2400 Ω max.)
- D: 0 – 20 mA DC (Load resistance 600 Ω max.)

- E: 0 – 16 mA DC (Load resistance 750 Ω max.)
- F: 0 – 10 mA DC (Load resistance 1200 Ω max.)
- G: 0 – 1 mA DC (Load resistance 12 kΩ max.)
- Z: Specify current (See OUTPUT SPECIFICATIONS)

Voltage

- 1: 0 – 10 mV DC (Load resistance 10 kΩ min.)
- 2: 0 – 100 mV DC (Load resistance 100 kΩ min.)
- 3: 0 – 1 V DC (Load resistance 1000 Ω min.)
- 4: 0 – 10 V DC (Load resistance 10 kΩ min.)
- 5: 0 – 5 V DC (Load resistance 5000 Ω min.)
- 6: 1 – 5 V DC (Load resistance 5000 Ω min.)
- 4W: -10 – +10 V DC (Load resistance 10 kΩ min.)
- 5W: -5 – +5 V DC (Load resistance 5000 Ω min.)
- 0: Specify voltage (See OUTPUT SPECIFICATIONS)

[2] OUTPUT 2

Current

- A: 4 – 20 mA DC (Load resistance 350 Ω max.)
- B: 2 – 10 mA DC (Load resistance 700 Ω max.)
- C: 1 – 5 mA DC (Load resistance 1400 Ω max.)
- D: 0 – 20 mA DC (Load resistance 350 Ω max.)
- E: 0 – 16 mA DC (Load resistance 430 Ω max.)
- F: 0 – 10 mA DC (Load resistance 700 Ω max.)
- G: 0 – 1 mA DC (Load resistance 7000 Ω max.)
- Z: Specify current (See OUTPUT SPECIFICATIONS)

Voltage

Same range availability as Output 1

[3] POWER INPUT

AC Power

- B: 100 V AC
- C: 110 V AC
- D: 115 V AC
- F: 120 V AC
- G: 200 V AC
- H: 220 V AC
- J: 240 V AC

DC Power

- S: 12 V DC
- R: 24 V DC
- V: 48 V DC
- P: 110 V DC

[4] OPTIONS (multiple selections)

Input Signal Indicator

- blank: Without
- /E: With (0.0 - 100.0 % display)

Other Options

- blank: none
- /Q: Option other than the above (specify the specification)



SPECIFICATIONS OF OPTION: Q (multiple selections)

COATING (For the detail, refer to M-System's web site.)

/C01: Silicone coating

/C02: Polyurethane coating

/C03: Rubber coating

TERMINAL SCREW MATERIAL

/S01: Stainless steel

GENERAL SPECIFICATIONS

Construction: Plug-in

Connection: M3.5 screw terminals

Screw terminal: Chromated steel (standard) or stainless steel

Housing material: Flame-resistant resin (black)

Isolation: Input to output 1 to output 2 to power

Overrange output: Approx. -10 to +120 % at 1 - 5 V

Zero adjustment: -5 to +5 % (front)

Span adjustment: 95 to 105 % (front)

LCD meter: Indicating input; 0.1 % increments

SUPPLY OUTPUT

Output voltage: 24 - 28 V DC with no load

Current rating: ≤ 22 mA DC

• **Shortcircuit Protection**

Current limited: 35 mA max.

Protected time duration: No limit

INPUT SPECIFICATIONS

■ **DC Current:** Input resistor incorporated

OUTPUT SPECIFICATIONS

■ **DC Current:** 0 - 20 mA DC

Minimum span: 1 mA

Offset: Max. 1.5 times span

Load resistance: Output drive 12 V max. for Output 1;
7 V max. for Output 2

■ **DC Voltage:** -10 - +12 V DC

Minimum span: 5 mV

Offset: Max. 1.5 times span

Load resistance: Output drive 1 mA max. at ≥ 0.5 V

INSTALLATION

Power input

• **AC:** Operational voltage range: rating ± 10 %, 50/60 ± 2 Hz, approx. 3 VA

• **DC:** Operational voltage range: rating ± 10 %, or 85 - 150 V for 110 V rating, ripple 10 %p-p max., approx. 3 W (125 mA at 24 V)

Operating temperature: -5 to +55°C (23 to 131°F)

Operating humidity: 30 to 90 %RH (non-condensing)

Mounting: Surface or DIN rail

Weight: 400 g (0.88 lb)

PERFORMANCE in percentage of span

Accuracy: ± 0.1 %

Display accuracy: $\pm(0.1$ % of FS + 1 digit)

Temp. coefficient: ± 0.015 %/°C (± 0.008 %/°F)

Response time: ≤ 0.5 sec. (0 - 90 %)

Line voltage effect: ± 0.1 % over voltage range

Insulation resistance: ≥ 100 M Ω with 500 V DC

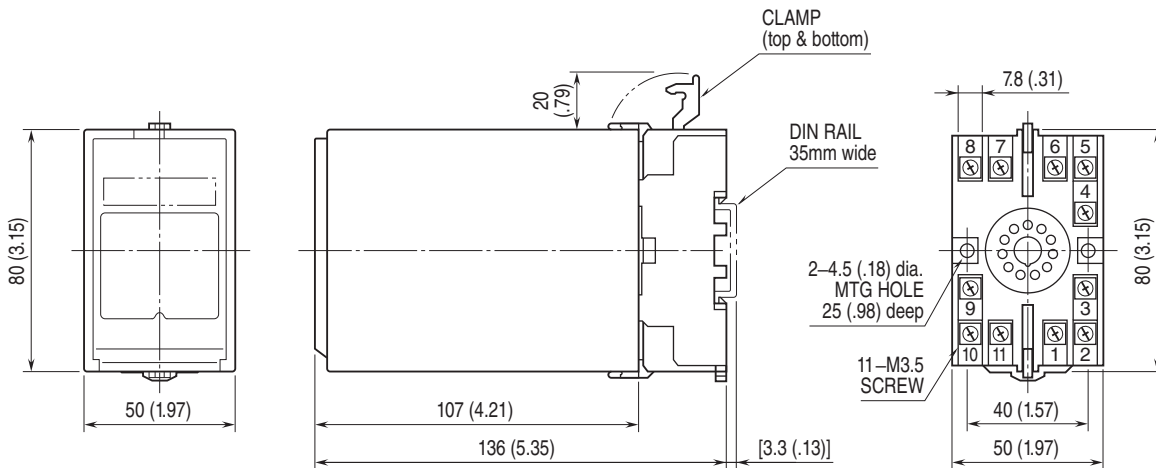
Dielectric strength: 2000 V AC @1 minute

(input to output to power to ground)

1000 V AC @ 1 minute (output 1 to output 2)

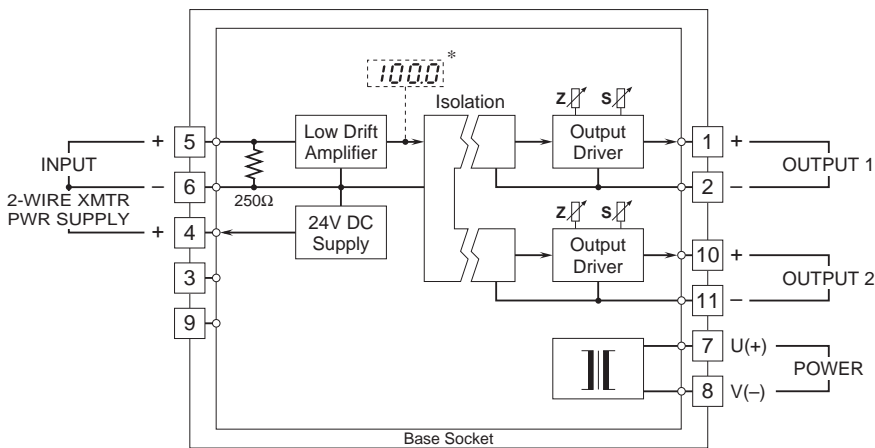


DIMENSIONS unit: mm (inch)



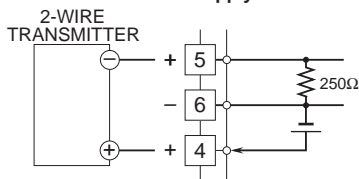
• When mounting, no extra space is needed between units.

SCHEMATIC CIRCUITRY & CONNECTION DIAGRAM

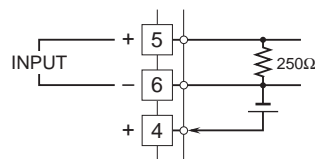


*Option /E

■ When Used as DC Supply



■ When Used as Isolator



Specifications are subject to change without notice.