

## Dual Output Plug-in Signal Conditioners W-UNIT

### CURRENT LOOP SUPPLY

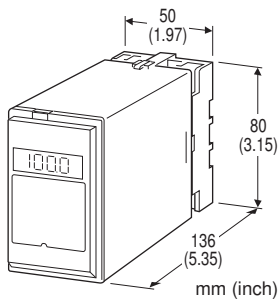
(with square root extractor)

#### Functions & Features

- Powering a 4 - 20 mA DC current loop
- Square root extraction
- Shortcircuit protection
- Applicable to smart transmitters
- Isolation up to 2000 V AC
- LCD meter
- High-density mounting

#### Typical Applications

- Various 2-wire transmitters
- Square root extractor application (4 - 20 mA input)



### MODEL: WDNY-[1][2]-[3][4]

#### ORDERING INFORMATION

- Code number: WDNY-[1][2]-[3][4]

Specify a code from below for each [1] through [4].

(e.g. WDNY-A6-B/E)

- Special output range (For codes Z & 0)

Note: When the user requires a current and a voltage output, specify the current to be the Output 1 which allows a greater load.

### INPUT

#### Current

4 - 20 mA DC (Input resistance 250  $\Omega$ )

#### [1] OUTPUT 1

##### Current

- A: 4 - 20 mA DC (Load resistance 600  $\Omega$  max.)
- B: 2 - 10 mA DC (Load resistance 1200  $\Omega$  max.)
- C: 1 - 5 mA DC (Load resistance 2400  $\Omega$  max.)
- D: 0 - 20 mA DC (Load resistance 600  $\Omega$  max.)
- E: 0 - 16 mA DC (Load resistance 750  $\Omega$  max.)

F: 0 - 10 mA DC (Load resistance 1200  $\Omega$  max.)

G: 0 - 1 mA DC (Load resistance 12 k $\Omega$  max.)

Z: Specify current (See OUTPUT SPECIFICATIONS)

##### Voltage

- 1: 0 - 10 mV DC (Load resistance 10 k $\Omega$  min.)
- 2: 0 - 100 mV DC (Load resistance 100 k $\Omega$  min.)
- 3: 0 - 1 V DC (Load resistance 1000  $\Omega$  min.)
- 4: 0 - 10 V DC (Load resistance 10 k $\Omega$  min.)
- 5: 0 - 5 V DC (Load resistance 5000  $\Omega$  min.)
- 6: 1 - 5 V DC (Load resistance 5000  $\Omega$  min.)
- 4W: -10 - +10 V DC (Load resistance 10 k $\Omega$  min.)
- 5W: -5 - +5 V DC (Load resistance 5000  $\Omega$  min.)
- 0: Specify voltage (See OUTPUT SPECIFICATIONS)

#### [2] OUTPUT 2

##### Current

- A: 4 - 20 mA DC (Load resistance 350  $\Omega$  max.)
- B: 2 - 10 mA DC (Load resistance 700  $\Omega$  max.)
- C: 1 - 5 mA DC (Load resistance 1400  $\Omega$  max.)
- D: 0 - 20 mA DC (Load resistance 350  $\Omega$  max.)
- E: 0 - 16 mA DC (Load resistance 430  $\Omega$  max.)
- F: 0 - 10 mA DC (Load resistance 700  $\Omega$  max.)
- G: 0 - 1 mA DC (Load resistance 7000  $\Omega$  max.)
- Z: Specify current (See OUTPUT SPECIFICATIONS)

##### Voltage

Same range availability as Output 1

#### [3] POWER INPUT

##### AC Power

- B: 100 V AC
- C: 110 V AC
- D: 115 V AC
- F: 120 V AC
- G: 200 V AC
- H: 220 V AC
- J: 240 V AC
- DC Power
- S: 12 V DC
- R: 24 V DC
- V: 48 V DC
- P: 110 V DC

#### [4] OPTIONS

##### Input Signal Indicator

blank: Without

/E: With (0.0 - 100.0 % display)

#### GENERAL SPECIFICATIONS

Construction: Plug-in

Connection: M3.5 screw terminals



**Housing material:** Flame-resistant resin (black)  
**Isolation:** Input to output 1 to output 2 to power  
**Overrange output:** 0 - 105 % at 1 - 5 V  
**Zero adjustment:** -5 to +5 % (front)  
**Span adjustment:** 95 to 105 % (front)  
**LCD meter:** Indicating root-extracted values with low-end cutout; 0.1 % increments  
**Low-end cutout:** Approx. 10 % (output)

(input to output to power to ground)  
1000 V AC @ 1 minute (output 1 to output 2)

## SUPPLY OUTPUT

**Output voltage:** 24 - 28 V DC with no load  
**Current rating:**  $\leq 22$  mA DC  
• **Shortcircuit Protection**  
**Current limited:** 35 mA max.  
**Protected time duration:** No limit

## INPUT SPECIFICATIONS

■ **DC Current:** Input resistor incorporated

## OUTPUT SPECIFICATIONS

■ **DC Current:** 0 - 20 mA DC  
**Minimum span:** 1 mA  
**Offset:** Max. 1.5 times span  
**Load resistance:** Output drive 12 V max. for Output 1;  
7 V max. for Output 2  
■ **DC Voltage:** -10 - +12 V DC  
**Minimum span:** 5 mV  
**Offset:** Max. 1.5 times span  
**Load resistance:** Output drive 1 mA max. at  $\geq 0.5$  V

## INSTALLATION

### Power input

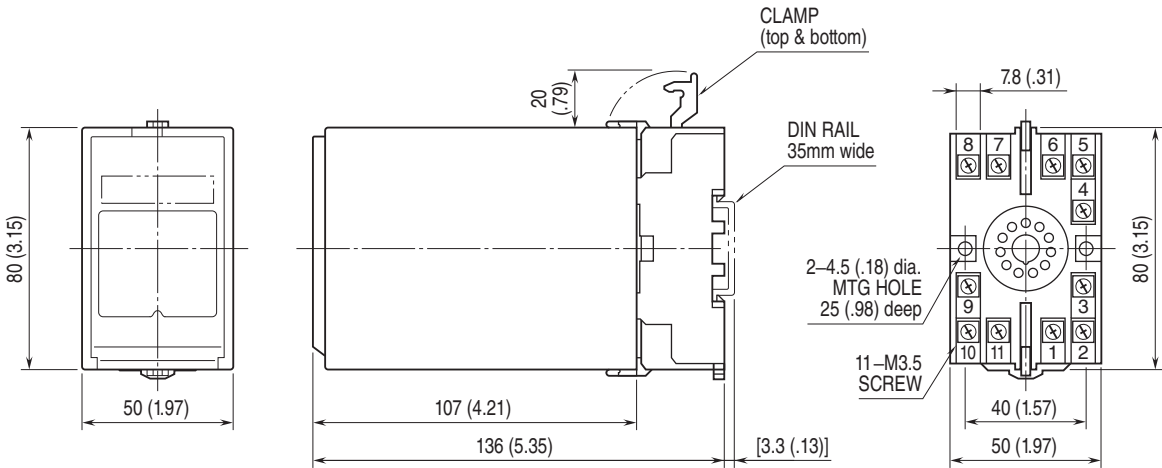
• **AC:** Operational voltage range: rating  $\pm 10$  %, 50/60  $\pm 2$  Hz, approx. 3 VA  
• **DC:** Operational voltage range: rating  $\pm 10$  %, or 85 - 150 V for 110 V rating, ripple 10 %p-p max., approx. 3 W (125 mA at 24 V)  
**Operating temperature:** -5 to +55°C (23 to 131°F)  
**Operating humidity:** 30 to 90 %RH (non-condensing)  
**Mounting:** Surface or DIN rail  
**Weight:** 400 g (0.88 lb)

## PERFORMANCE in percentage of span

**Accuracy:**  $\pm 0.3$  % (input 1 - 100 %)  
**Display accuracy:**  $\pm (0.3$  % of FS + 1 digit) (Input 1 - 100 %)  
**Temp. coefficient:**  $\pm 0.02$  %/°C ( $\pm 0.01$  %/°F)  
**Response time:**  $\leq 0.5$  sec. (0 - 90 %)  
**Line voltage effect:**  $\pm 0.1$  % over voltage range  
**Insulation resistance:**  $\geq 100$  M $\Omega$  with 500 V DC  
**Dielectric strength:** 2000 V AC @1 minute

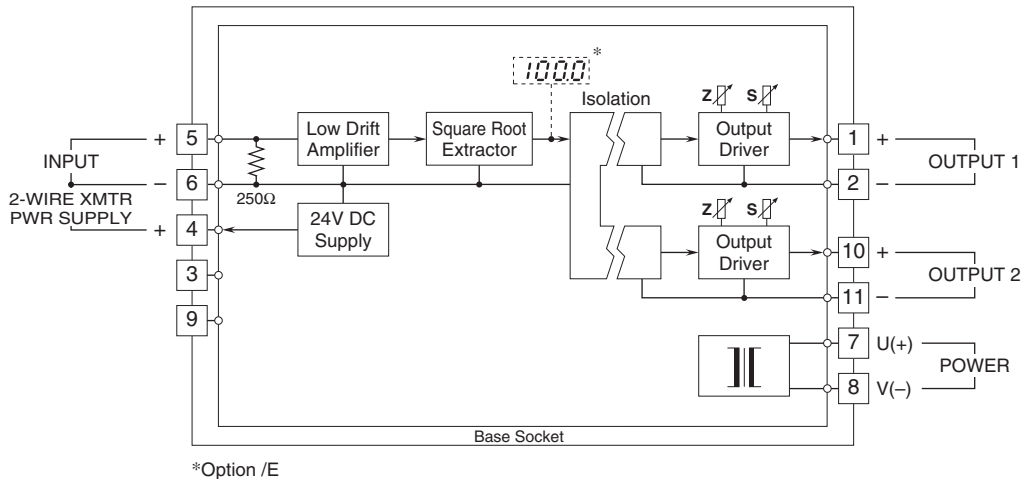


**EXTERNAL DIMENSIONS & TERMINAL ASSIGNMENTS unit: mm (inch)**

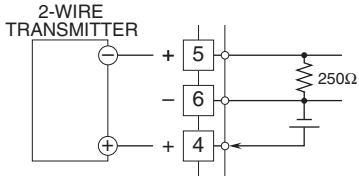


• When mounting, no extra space is needed between units.

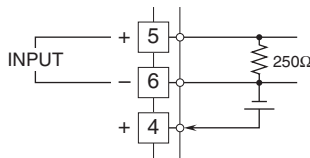
**SCHEMATIC CIRCUITRY & CONNECTION DIAGRAM**



■When Used as DC Supply



■When Used as Square Root Extractor



Specifications are subject to change without notice.

