

## Dual Output Plug-in Signal Conditioners W-UNIT

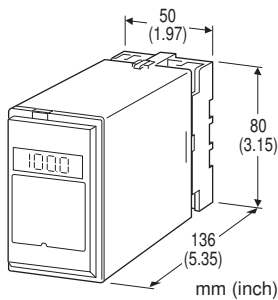
### CT TRANSMITTER

#### Functions & Features

- Converting an alternating current from a current transformer into two standard process signals
- Minimum ripple
- True RMS sensing
- CT Protector provided for open-circuit protection
- Isolation up to 2000 V AC
- LCD meter
- High-density mounting

#### Typical Applications

- Centralized monitoring and control of motors, pumps or heaters by DCS
- Monitoring power line and power supply current



### MODEL: WCT-[1][2][3]-[4][5]

#### ORDERING INFORMATION

- Code number: WCT-[1][2][3]-[4][5]
- Specify a code from below for each [1] through [5].  
(e.g. WCT-1AA-B/E/Q)
- Special output range (For codes Z & 0)
  - Specify the specification for option code /Q  
(e.g. /C01/S01)
- Note: When the user requires a current and a voltage output, specify the current to be the Output 1 which allows a greater load.

#### [1] INPUT

##### Current

- 1: 0 - 1 A AC
- 5: 0 - 5 A AC

#### [2] OUTPUT 1

##### Current

- A: 4 - 20 mA DC (Load resistance 600 Ω max.)

- B: 2 - 10 mA DC (Load resistance 1200 Ω max.)

- C: 1 - 5 mA DC (Load resistance 2400 Ω max.)

- D: 0 - 20 mA DC (Load resistance 600 Ω max.)

- E: 0 - 16 mA DC (Load resistance 750 Ω max.)

- F: 0 - 10 mA DC (Load resistance 1200 Ω max.)

- G: 0 - 1 mA DC (Load resistance 12 kΩ max.)

- Z: Specify current (See OUTPUT SPECIFICATIONS)

##### Voltage

- 1: 0 - 10 mV DC (Load resistance 10 kΩ min.)

- 2: 0 - 100 mV DC (Load resistance 100 kΩ min.)

- 3: 0 - 1 V DC (Load resistance 1000 Ω min.)

- 4: 0 - 10 V DC (Load resistance 10 kΩ min.)

- 5: 0 - 5 V DC (Load resistance 5000 Ω min.)

- 6: 1 - 5 V DC (Load resistance 5000 Ω min.)

- 4W: -10 - +10 V DC (Load resistance 10 kΩ min.)

- 5W: -5 - +5 V DC (Load resistance 5000 Ω min.)

- 0: Specify voltage (See OUTPUT SPECIFICATIONS)

#### [3] OUTPUT 2

##### Current

- A: 4 - 20 mA DC (Load resistance 350 Ω max.)

- B: 2 - 10 mA DC (Load resistance 700 Ω max.)

- C: 1 - 5 mA DC (Load resistance 1400 Ω max.)

- D: 0 - 20 mA DC (Load resistance 350 Ω max.)

- E: 0 - 16 mA DC (Load resistance 430 Ω max.)

- F: 0 - 10 mA DC (Load resistance 700 Ω max.)

- G: 0 - 1 mA DC (Load resistance 7000 Ω max.)

- Z: Specify current (See OUTPUT SPECIFICATIONS)

##### Voltage

Same range availability as Output 1

#### [4] POWER INPUT

##### AC Power

- B: 100 V AC

- C: 110 V AC

- D: 115 V AC

- F: 120 V AC

- G: 200 V AC

- H: 220 V AC

- J: 240 V AC

##### DC Power

- S: 12 V DC

- R: 24 V DC

- V: 48 V DC

- P: 110 V DC

#### [5] OPTIONS (multiple selections)

##### Input Signal Indicator

blank: Without

/E: With (0.0 - 100.0 % display)

##### Other Options



blank: none  
/Q: Option other than the above (specify the specification)

**Operating humidity:** 30 to 90 %RH (non-condensing)  
**Mounting:** Surface or DIN rail  
**Weight:** 450 g (0.99 lb)

## SPECIFICATIONS OF OPTION: Q (multiple selections)

### COATING (For the detail, refer to M-System's web site.)

/C01: Silicone coating  
/C02: Polyurethane coating  
/C03: Rubber coating

### TERMINAL SCREW MATERIAL

/S01: Stainless steel

## GENERAL SPECIFICATIONS

**Construction:** Plug-in  
**Connection:** M3.5 screw terminals  
**Screw terminal:** Chromated steel (standard) or stainless steel  
**Housing material:** Flame-resistant resin (black)  
**Isolation:** Input to output 1 to output 2 to power  
**Input waveform:** Up to 15 % of 3rd harmonic content  
**Overrange output:** 0 to 120 % at 1 - 5 V  
**Zero adjustment:** -5 to +5 % (front)  
**Span adjustment:** 95 to 105 % (front)  
**LCD meter:** Indicating input; 0.1 % increments

## INPUT SPECIFICATIONS

**Frequency:** 50 or 60 Hz  
**Input burden:** 0.5 VA max.  
**Overload capacity:** 500 % of rating for 5 sec., 120 % continuous  
**Operational range:** 0 - 120 % of rating

## OUTPUT SPECIFICATIONS

■ **DC Current:** 0 - 20 mA DC  
**Minimum span:** 1 mA  
**Offset:** Max. 1.5 times span  
**Load resistance:** Output drive 12 V max. for Output 1;  
7 V max. for Output 2  
■ **DC Voltage:** -10 - +12 V DC  
**Minimum span:** 5 mV  
**Offset:** Max. 1.5 times span  
**Load resistance:** Output drive 1 mA max. at  $\geq 0.5$  V

## INSTALLATION

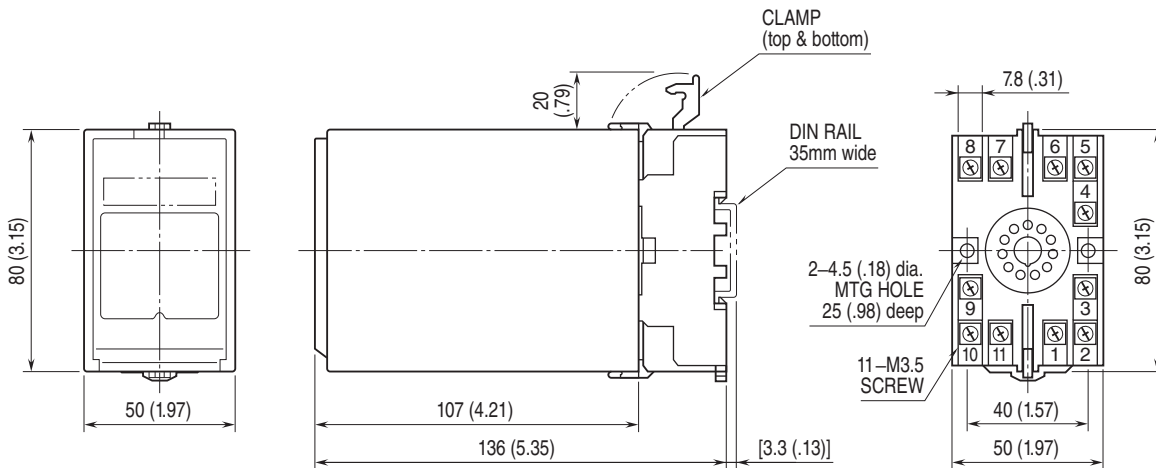
**Power input**  
• **AC:** Operational voltage range: rating  $\pm 10$  %, 50/60  $\pm 2$  Hz, approx. 3 VA  
• **DC:** Operational voltage range: rating  $\pm 10$  %, or 85 - 150 V for 110 V rating, ripple 10 %p-p max., approx. 3 W (27 mA at 110 V)  
**Operating temperature:** -5 to +55°C (23 to 131°F)

## PERFORMANCE in percentage of span

**Accuracy:**  $\pm 0.4$  %  
**Display accuracy:**  $\pm (0.4$  % of FS + 1 digit)  
**Temp. coefficient:**  $\pm 0.02$  %/°C ( $\pm 0.01$  %/°F)  
**Response time:**  $\leq 0.5$  sec. (0 - 90 %)  
**Ripple:** 0.5 %p-p max.  
**Line voltage effect:**  $\pm 0.1$  % over voltage range  
**Insulation resistance:**  $\geq 100$  M $\Omega$  with 500 V DC  
**Dielectric strength:** 2000 V AC @1 minute  
(input to output to power to ground)  
1000 V AC @ 1 minute (output 1 to output 2)

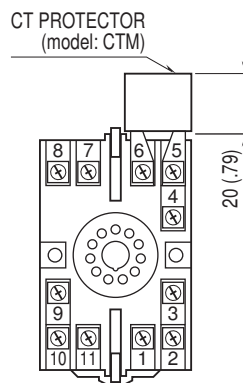


## DIMENSIONS unit: mm (inch)

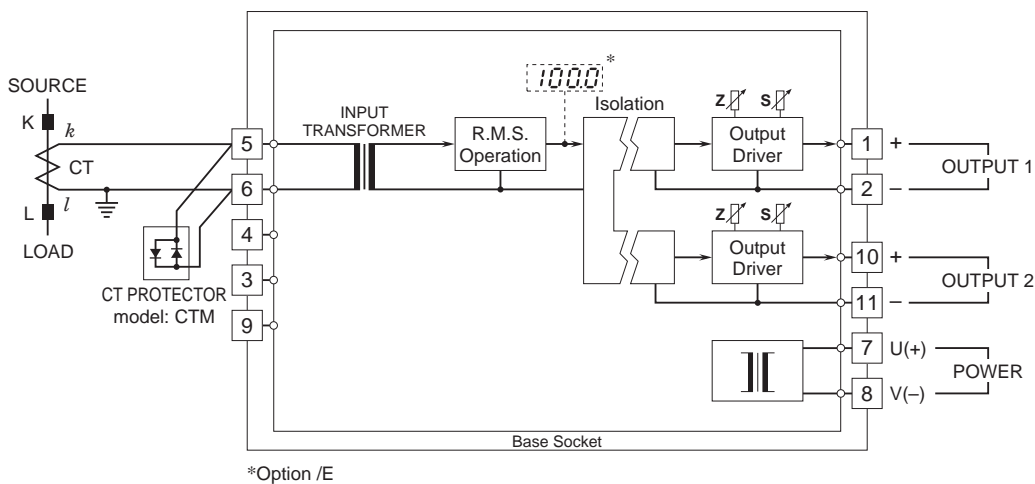


• When mounting, no extra space is needed between units.

## TERMINAL ASSIGNMENTS unit: mm (inch)



## SCHEMATIC CIRCUITRY & CONNECTION DIAGRAM





Specifications are subject to change without notice.



**幸託有限公司**  
XIN TOP CORPORATION

TEL : (02)2598-1199

FAX : (02)2596-2331

E-mail : [info@xintop.com](mailto:info@xintop.com)

Website : [www.xintop.com](http://www.xintop.com)