

Remote I/O R8 Series

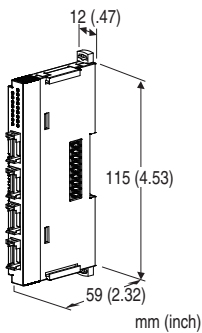
Input resistance: 50 Ω

DC CURRENT INPUT MODULE

(built-in excitation, 4 points, non-isolated)

Functions & Features

- Accepts direct input from DC signal, compact size remote I/O module
- Accepts direct input from power output as sensor power and outputs from terminals



MODEL: R8-SS4NJ

ORDERING INFORMATION

- Code number: R8-SS4NJ

GENERAL SPECIFICATIONS

Connection

- **Input:** 4-pin e-CON connector
PWB connector XN2D-1474-S002 (Omron)
Recommended cable connector XN2A-1470 (Omron)
Applicable wire size 0.08 mm² (AWG28) - 0.5 mm² (AWG20)
Outer sheath diameter: max. 1.5 dia
(The cable connector is not included in the package.
Refer to the specifications of the product.)

- **Excitation supply, internal bus:**

Connected to internal bus connector

- **Internal power:** Supplied from internal bus connector

Isolation: Input to exc. supply to internal bus or internal power

Module address: With rotary switch

Terminating resistor: Built-in (DIP Switch, default: disable)

Status indicator: Bi-color (red/green) LED; Refer to the instruction manual.

Input status indicators: Red LED; Refer to the instruction manual.

INPUT

Input range: -20 - +20 mA DC configurable

Input range: -5 - +105 % (in percentage of input range)

INSTALLATION

Max. current consumption: 80 mA

Operating temperature: -10 to +55°C (14 to 131°F)

Operating humidity: 30 to 90 %RH (non-condensing)

Atmosphere: No corrosive gas or heavy dust

Mounting: DIN rail

Weight: 60 g (2.12 oz)

PERFORMANCE

Conversion accuracy (in percentage of input range)

±0.1 % (@ input range -20 - +20 mA)

Conversion accuracy is inversely proportional to input span.

Conversion accuracy computation example:

When input range is 4 - 20 mA: conversion accuracy =
nominal input span (40 mA) ÷ input span (16 mA) × 0.1(%)
= 0.25 (%).

Nominal input span is the same as the span at input range
-20 - +20 mA DC.

Conversion rate: 4 msec. @ 4 input

Input circuit time constant: Approx. 1 msec.

Data range: 0 - 10000 of the input range

Data allocation: 2

Module addresses in use: 2

Power output (input terminal): Rated current DC 0.5 A DC
per channel (rated current 3 A for internal fuse (slow blow
fuse i²t (A²sec) max. 5.04); Total: 1 A DC

Temp. coefficient: ±0.015 %/°C (±0.008 %/°F)

Insulation resistance: ≥ 100 MΩ with 250 V DC

Dielectric strength: 300 V AC @1 minute

(input to exc. supply)

1500V AC @1 minute

(input or exc. supply to internal bus or internal power to
ground)

STANDARDS & APPROVALS

CE conformity:

EMC Directive (2004/108/EC)

EMI EN 61000-6-4: 2007

EMS EN 61000-6-2: 2005

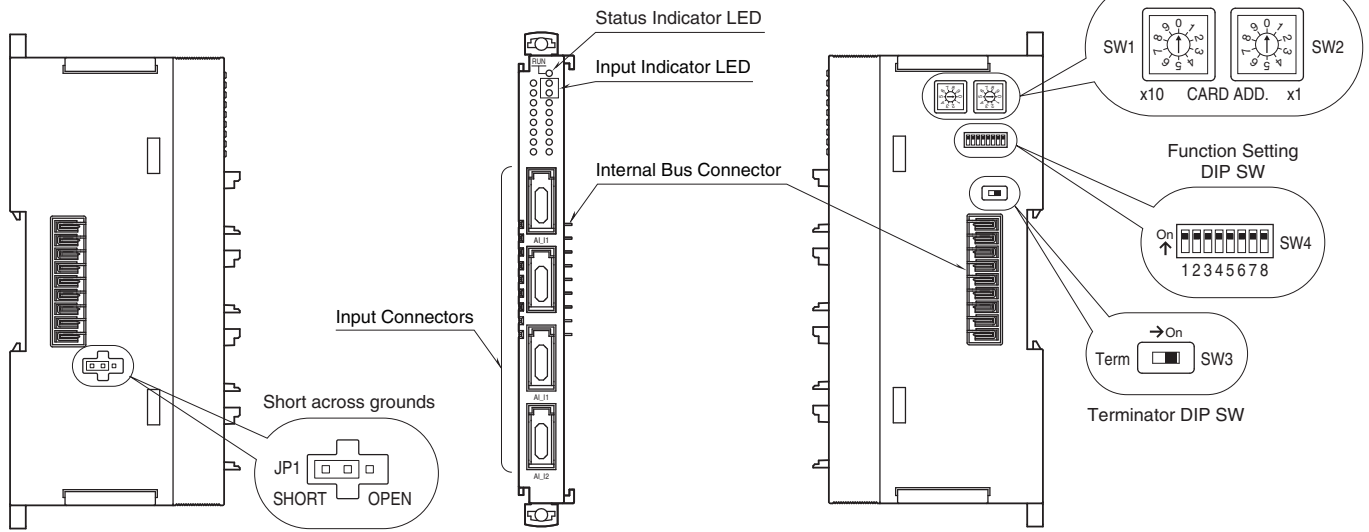


EXTERNAL VIEW

LEFT SIDE VIEW

FRONT VIEW

RIGHT SIDE VIEW



SHORT ACROSS GROUNDS

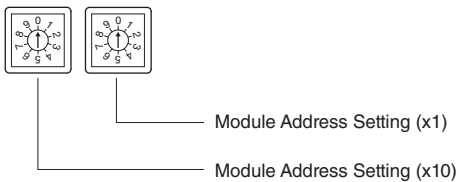
Choose to open or short across grounds of excitation supply and input.
 In case of shorting across, insert short-plug on center pin of JP1 and SHORT side.
 In case of opening, insert short-plug on center pin of JP1 and OPEN side.
 Factory default is on SHORT side.

OPERATING MODE SETTING

(*) Factory setting
 Caution ! - SW4-3 through 4-7 are unused. Be sure to turn off unused ones.

MODULE ADDRESS

The left switch determines the tenth place digit, while the right switch does the ones place digit of the address. Address is selected between 0 to 31.
 (Factory setting: 0)



Range

Same range for all channels. Use PC Configurator to set independent ranges per channel.

INPUT RANGE	SW4-1	SW4-2
0 - 20mA DC	OFF	OFF
4 - 20mA DC (*)	ON	OFF

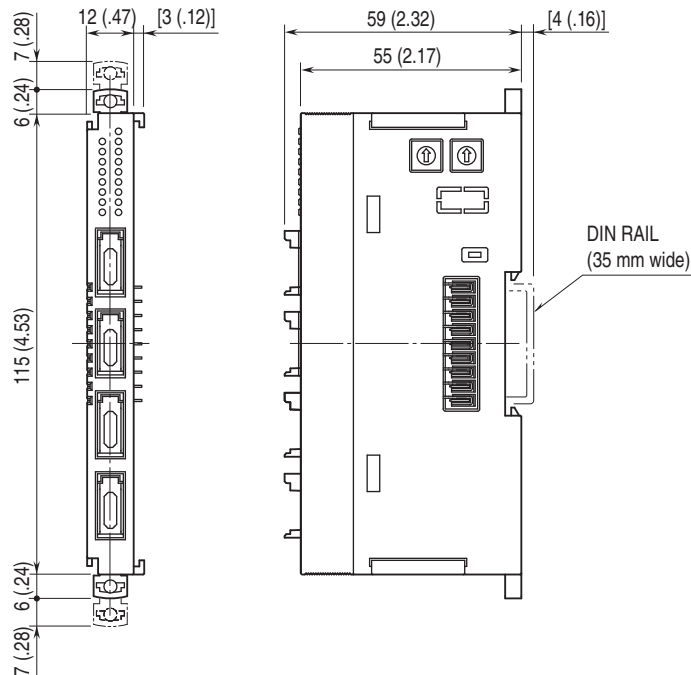
Configuration Mode

CONFIGURATION MODE	SW4
	8
DIP switch setting (*)	OFF
PC Configurator and communication	ON

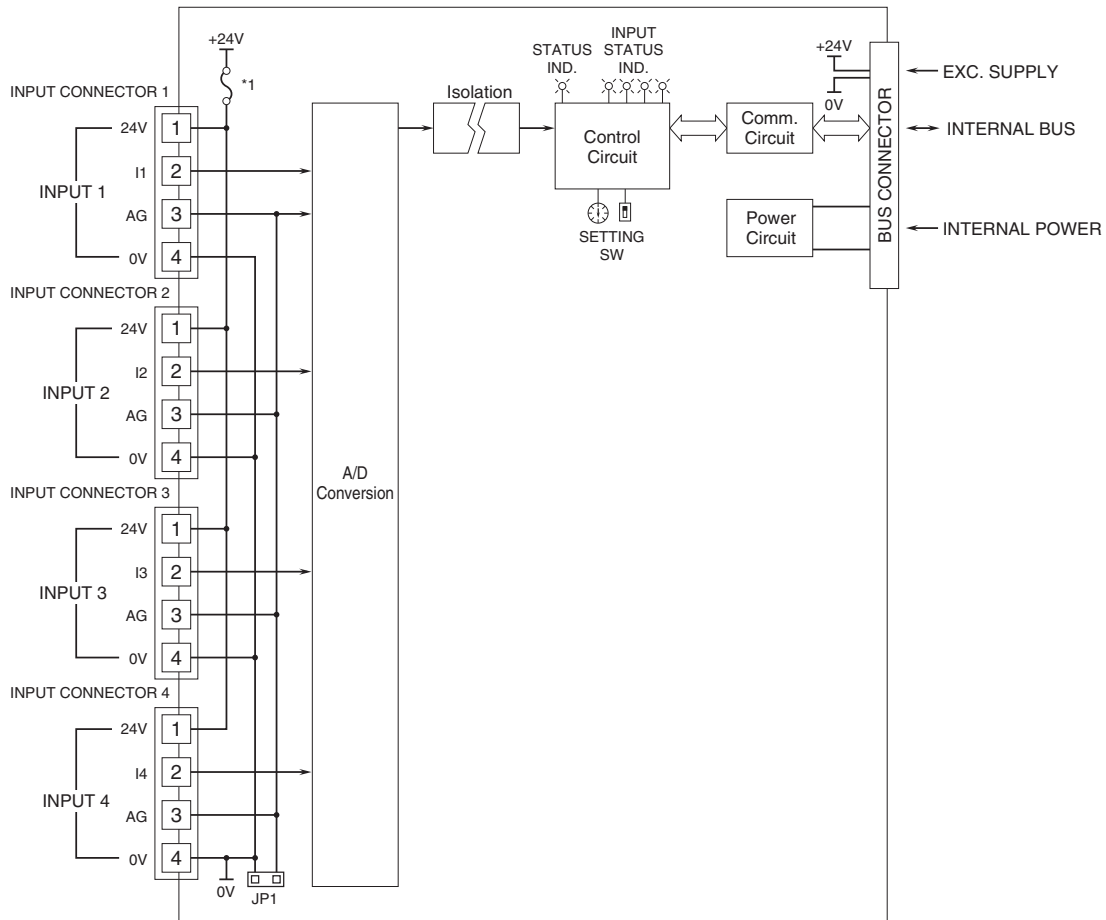
Terminator DIP SW

Terminator switch	SW3
Without (*)	OFF
With	ON

DIMENSIONS unit: mm (inch)



SCHEMATIC CIRCUITRY & CONNECTION DIAGRAM



*1. Fuse is not replazable.





Specifications are subject to change without notice.



幸託有限公司
XIN TOP CORPORATION

TEL : (02)2598-1199
FAX : (02)2596-2331

E-mail : info@xintop.com
Website : www.xintop.com