

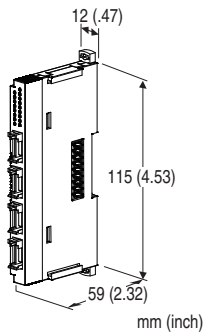
Remote I/O R8 Series

NPN TRANSISTOR OUTPUT MODULE

(with shortcircuit protection, 4 points)

Functions & Features

- 4-channel discrete output, compact size remote I/O module



MODEL: R8-DC4A

ORDERING INFORMATION

- Code number: R8-DC4A

RELATED PRODUCTS

- PC configurator software (model: R8CFG)
Downloadable at M-System's web site.
A dedicated cable is required to connect the module to the PC. Please refer to the internet software download site or the users manual for the PC configurator for applicable cable types.

GENERAL SPECIFICATIONS

Connection

- **Output:** 4-pin e-CON connector
PWB connector XN2D-1474-S002 (Omron)
Recommended cable connector XN2A-1470 (Omron)
Applicable wire size 0.08 mm² (AWG28) - 0.5 mm² (AWG20)
Outer sheath diameter: max. 1.5 dia
(The cable connector is not included in the package. Refer to the specifications of the product.)
 - **Excitatin supply, internal bus:** Connected to internal bus connector
 - **Internal power:** Supplied from internal bus connector
- Isolation:** Output or exc. supply to internal bus or internal power
- Module address:** With rotary switch
- Terminating resistor:** Built-in (DIP Switch, default: disable)
- Status indicator:** Bi-color (red/green) LED; Refer to the

instruction manual.

Discrete output status indicators: Green LED; Refer to the instruction manual.

OUTPUT SPECIFICATIONS

- Common:** Negative common (NPN) per 4 points
- Number of outputs:** 4
- Maximum outputs applicable at once:** No limit (at 24 V DC)
- Rated load voltage:** 24 V DC \pm 10 %
- Rated output current:** 0.2 A per point
- Residual voltage:** \leq 0.5 V
- Leakage current:** \leq 0.1 mA
- ON delay:** \leq 0.5 msec.
- OFF delay:** \leq 1.5 msec.
- Shortcircuit protection:** Included
- Overheat Protection Function:** Included

INSTALLATION

- Max. current consumption:** 100 mA
- Operating temperature:** -10 to +55°C (14 to 131°F)
- Operating humidity:** 30 to 90 %RH (non-condensing)
- Atmosphere:** No corrosive gas or heavy dust
- Mounting:** DIN rail
- Weight:** 60 g (2.12 oz)

PERFORMANCE

- Data allocation:** 1
- Module addresses in use:** 1
- Power output (output terminal):** Rated curent 1 A DC per channel; total: 2 A DC
- Max. consumption current:** 100 mA
- Insulation resistance:** \geq 100 M Ω with 500 V DC
- Dielectric strength:** 1500V AC @1 minute
(output or exc. supply to internal bus or internal power to ground)

STANDARDS & APPROVALS

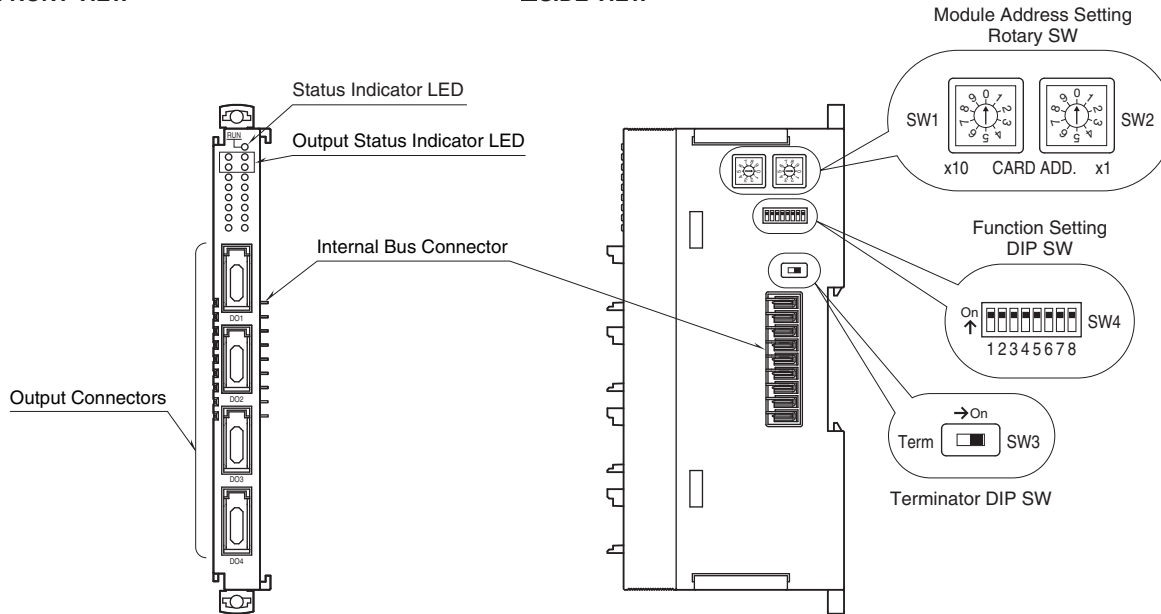
- CE conformity:**
- EMC Directive (2004/108/EC)
- EMI EN 61000-6-4: 2007
- EMS EN 61000-6-2: 2005



EXTERNAL VIEW

FRONT VIEW

SIDE VIEW



OPERATING MODE SETTING

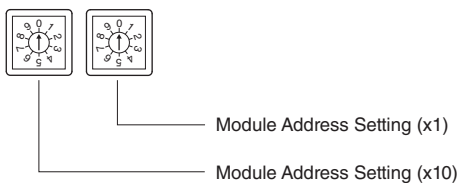
(*) Factory setting

Caution ! - SW4-1 through 4-6 are unused. Be sure to turn off unused ones.

MODULE ADDRESS

The left switch determines the tenth place digit, while the right switch does the ones place digit of the address. Address is selected between 0 to 31.

(Factory setting: 0)



Output at The Loss of Communication

OUTPUT AT THE LOSS OF COMMUNICATION	SW4-7
Output Hold (*) (last data correctly received is hold)	OFF
Stop output (Output fixed at OFF)	ON

Configuration Mode

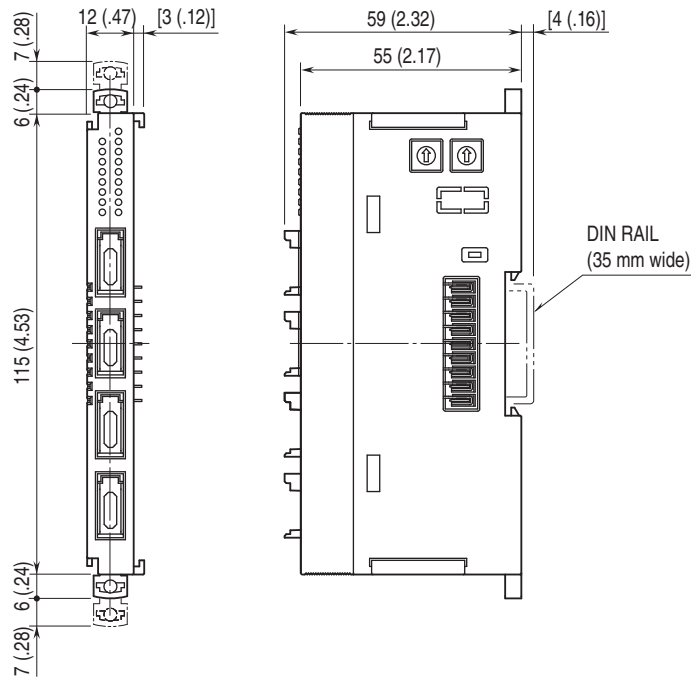
CONFIGURATION MODE	SW4
	8
DIP switch setting (*)	OFF
PC Configurator and communication	ON

Terminator DIP SW

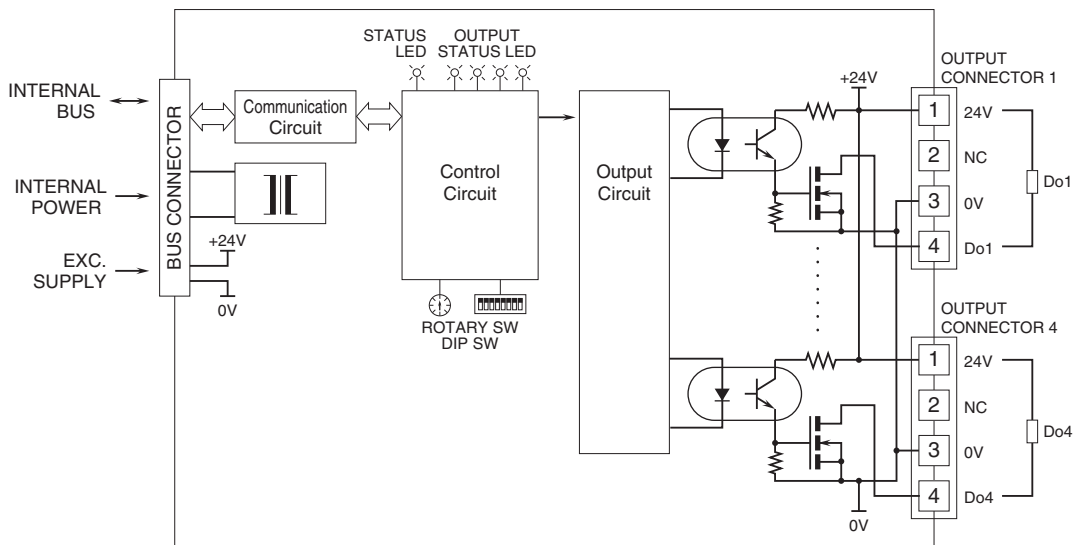
Terminator switch	SW3
Without (*)	OFF
With	ON



DIMENSIONS unit: mm (inch)



SCHEMATIC CIRCUITRY & CONNECTION DIAGRAM



Specifications are subject to change without notice.