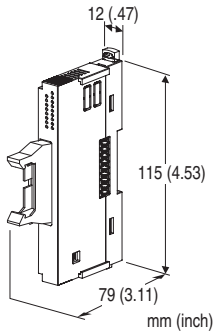


Remote I/O R8 Series

DISCRETE INPUT MODULE, 16 points

Functions & Features

- 16 channels for discrete input, compact size remote I/O module
- 20 pin MIL connector



MODEL: R8-DAM16A

ORDERING INFORMATION

- Code number: R8-DAM16A

GENERAL SPECIFICATIONS

Connection

- **Input:** 20-pin MIL connector
PWB connector (M-System)
Recommended socket XG5N-201 (Omron)
Recommended contact XG5W-0231 (Omron)
Applicable wire size AWG22, number of conductor 17, diameter of conductor 0.16 mm (The socket and contact are not included in the package. Refer to the specifications of the product.)
 - **Excitation supply, internal bus:**
Connected to internal bus connector
 - **Internal power:** Supplied from internal bus connector
- Isolation:** Input or exc. supply to internal bus or internal power
- Module address:** With rotary switch
- Terminating resistor:** Built-in (DIP Switch, default: disable)
- Status indicator:** Bi-color (red/green) LED; Refer to the instruction manual.
- Discrete input status indicators:** Green LED; Refer to the instruction manual.

INPUT SPECIFICATIONS

- Common:** Negative common (PNP)
- Number of input:** 16 points
- Maximum inputs applicable at once:** No limit (at 24 V DC)

- Rated input voltage:** 24 V DC $\pm 10\%$; ripple 5 %p-p max.
- ON voltage / current:** ≥ 15 V DC (input - 24 V) / ≥ 2.3 mA
- OFF voltage / current:** ≤ 5 V DC (input - 24 V) / ≤ 1 mA
- Input current:** ≤ 4.5 mA per point at 24 V DC
- Input resistance:** Approx. 5.7 k Ω
- ON delay:** ≤ 2.0 msec.
- OFF delay:** ≤ 2.0 msec.

INSTALLATION

- Max. current consumption:** 100 mA
- Operating temperature:** -10 to +55°C (14 to 131°F)
- Operating humidity:** 30 to 90 %RH (non-condensing)
- Atmosphere:** No corrosive gas or heavy dust
- Mounting:** DIN rail
- Weight:** 65 g (2.3 oz)

PERFORMANCE

- Data allocation:** 1
- Module addresses in use:** 1
- Power output (input terminal):** Rated current 3 A DC (rated current 3 A for internal fuse (slow blow fuse i^2t (A²sec) max. 5.04)
- Insulation resistance:** ≥ 100 M Ω with 500 V DC
- Dielectric strength:** 1500 V AC @ 1 minute
(input or exc. supply to internal bus or internal power to ground)

STANDARDS & APPROVALS

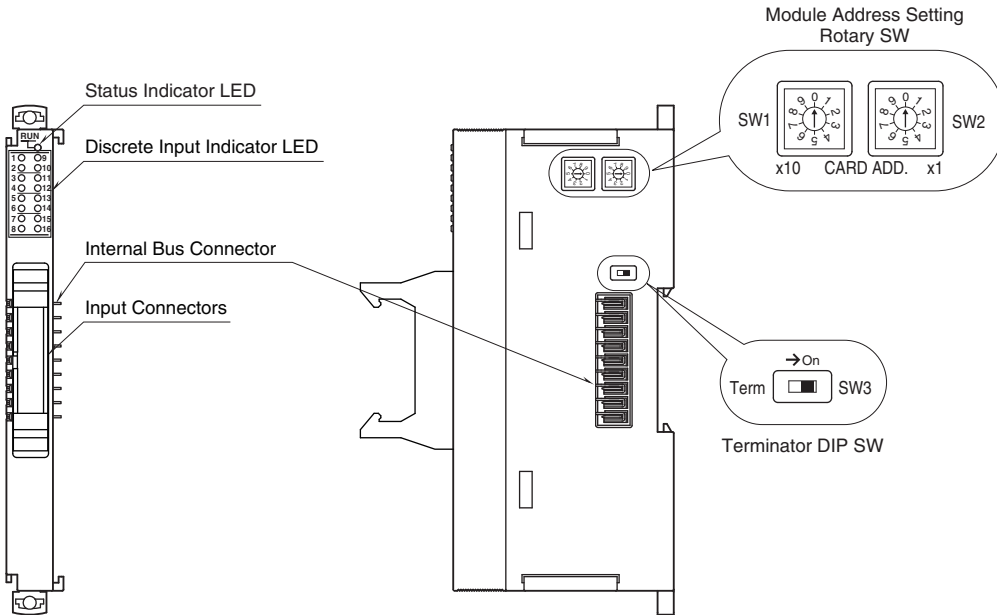
- CE conformity:**
EMC Directive (2004/108/EC)
EMI EN 61000-6-4: 2007
EMS EN 61000-6-2: 2005



EXTERNAL VIEW

■ FRONT VIEW

■ SIDE VIEW



OPERATING MODE SETTING

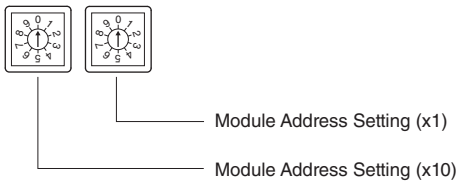
(*) Factory setting

■ MODULE ADDRESS

The left switch determines the tenth place digit, while the right switch does the ones place digit of the address.

Address is selected between 0 to 31.

(Factory setting: 0)

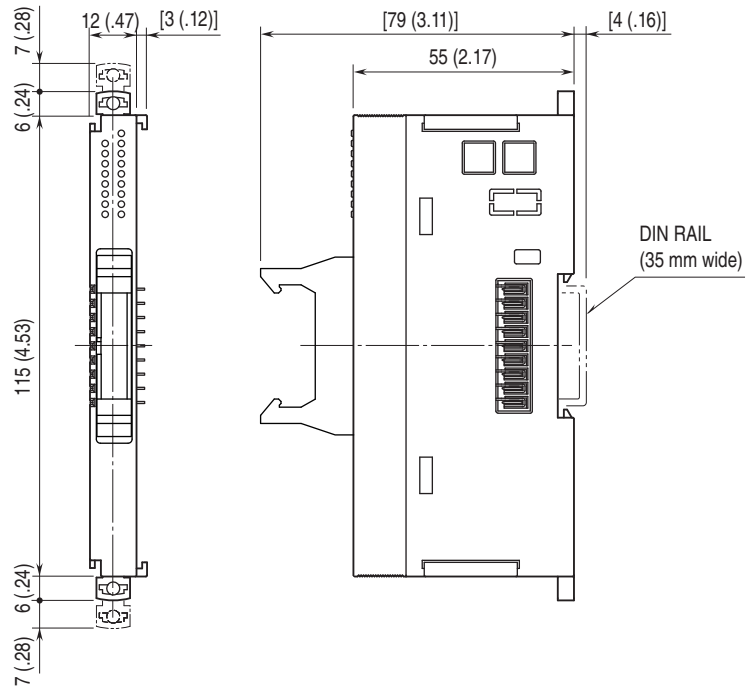


■ Terminator DIP SW

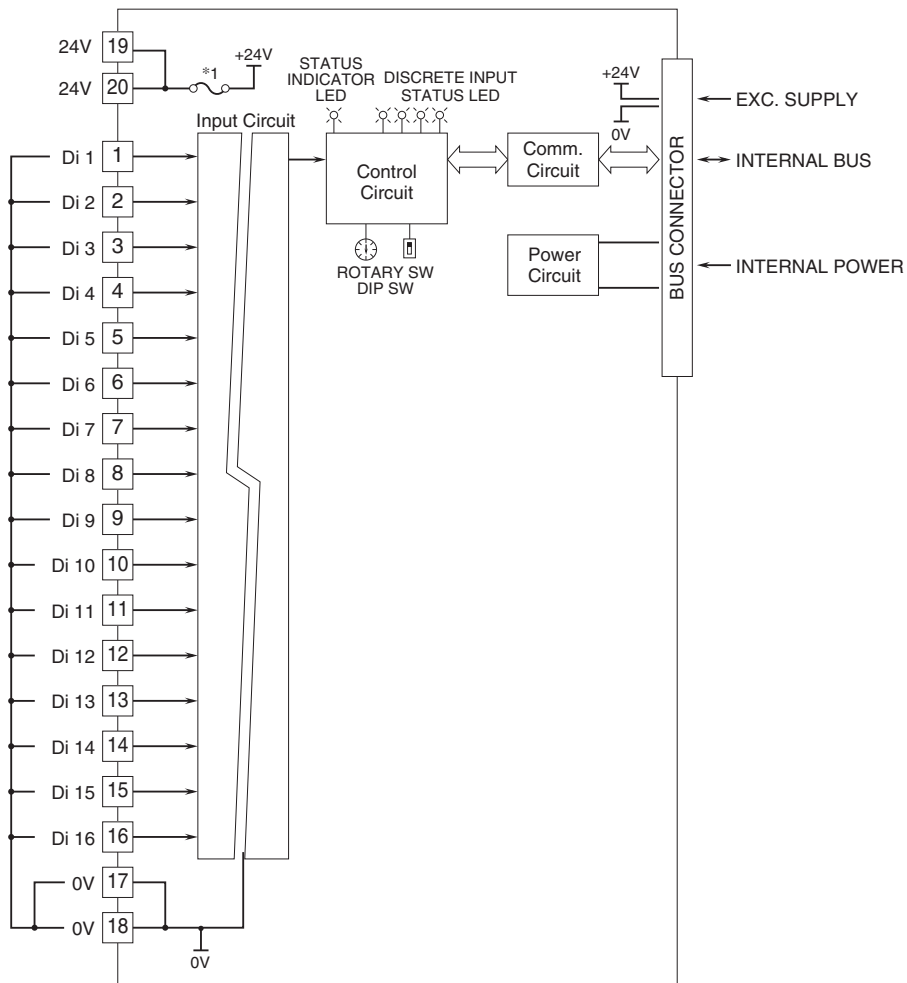
Terminator switch	SW3
Without (*)	OFF
With	ON



DIMENSIONS unit: mm (inch)

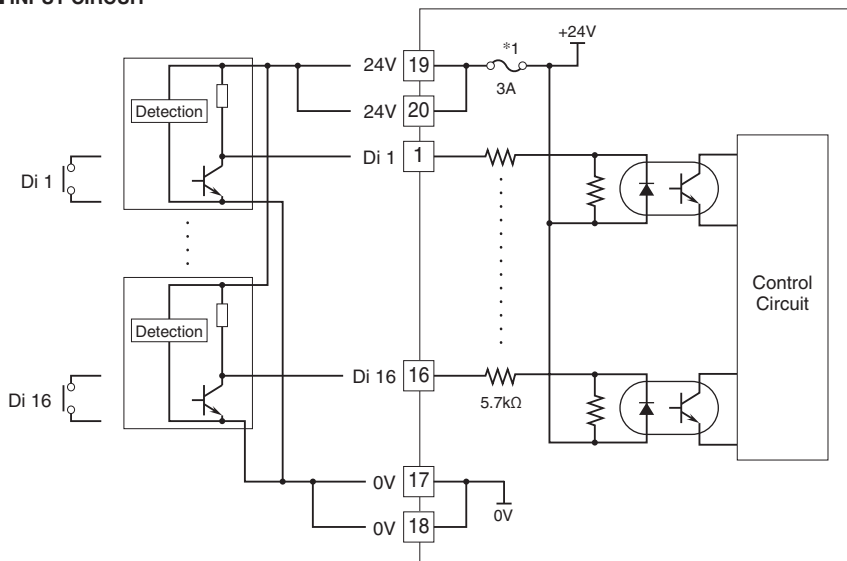


SCHEMATIC CIRCUITRY & CONNECTION DIAGRAM



*1. Fuse is not replazable.

■ INPUT CIRCUIT





Specifications are subject to change without notice.



幸託有限公司
XIN TOP CORPORATION

TEL : (02)2598-1199
FAX : (02)2596-2331

E-mail : info@xintop.com
Website : www.xintop.com