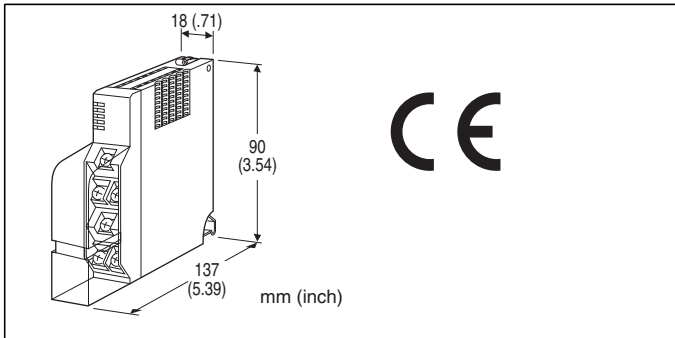


Remote I/O R5 Series

DISCRETE INPUT MODULE

(screw terminal block; Di 4 points)



MODEL: R5T-DA4[1][2]

ORDERING INFORMATION

Code number: R5T-DA4[1][2]

Specify a code from below for each [1] and [2].

(e.g. R5T-DA4W/A/Q)

- Specify the specification for option code /Q (e.g. /C01/S01)

[1] COMMUNICATION MODE

S: Single

W: Dual

[2] OPTIONS (multiple selections)

Excitation

Blank: Internal

/A: External (24 V DC, positive common)

/B: External (24 V DC, negative common)

Other Options

blank: none

/Q: Option other than the above (specify the specification)

SPECIFICATIONS OF OPTION: Q (multiple selections)

COATING (For the detail, refer to M-System's web site.)

/C01: Silicone coating

/C02: Polyurethane coating

/C03: Rubber coating

TERMINAL SCREW MATERIAL

/S01: Stainless steel

GENERAL SPECIFICATIONS

Connection

Internal bus: Via the Installation Base
(model: R5-BSx)

Input: M3.5 screw terminal block
(torque 0.8 N·m)

Power supply: Via the base (model: R5-BSx)

Screw terminal: Nickel-plated steel (standard) or stainless steel

Isolation: Di1 or Di2 to Di3 or Di4 to internal power

RUN indicator: Bi-color (red/green) LED;

Red when the bus A operates normally;

Green when the bus B operates normally;

Amber when both buses operate normally.

Input status indicator: Red LED; turns on with the inputs supplied.

INPUT SPECIFICATIONS

■ Internal Excitation

Input: Dry contact, 4 points

Common: Negative, every 2 points

Contact detecting: Max. 24 V DC

ON current/resistance: ≥ 2.5 mA, ≤ 1 k Ω

OFF current/resistance: ≤ 1 mA, ≥ 10 k Ω

■ External Excitation (Positive common)

Input: 24 V DC, 4 points (input resistance 6 k Ω)

Common: every 2 points

Contact detecting: external 24 V DC ± 10 %

ON current/resistance: ≥ 2.5 mA, ≤ 2 k Ω

OFF current/resistance: ≤ 1 mA, ≥ 18 k Ω

■ External Excitation (Negative common)

Input: 24 V DC, 4 points (input resistance 6 k Ω)

Common: every 2 points

Contact detecting: external 24 V DC ± 10 %

ON current/resistance: ≥ 2.5 mA, ≤ 2 k Ω

OFF current/resistance: ≤ 1 mA, ≥ 18 k Ω

INSTALLATION

Operating temperature: -10 to +55°C (14 to 131°F)

Operating humidity: 30 to 90 %RH (non-condensing)

Atmosphere: No corrosive gas or heavy dust

Mounting: Installation Base (model: R5-BSx)

Weight: 110 g (0.24 lb)

PERFORMANCE

Data allocation: 1

Response time: ≤ 0.1 sec.

Insulation resistance: ≥ 100 M Ω with 500 V DC

Dielectric strength: 1500 V AC @ 1 minute (Di 1 or Di 2 to Di 3 or Di 4 to internal power)

2000 V AC @ 1 minute (power input to FG; isolated on the power supply module)

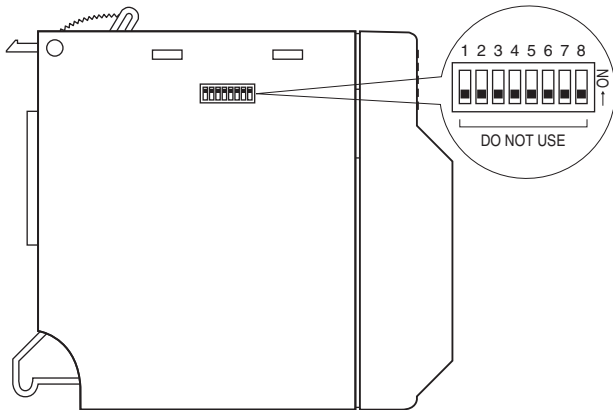


STANDARDS & APPROVALS

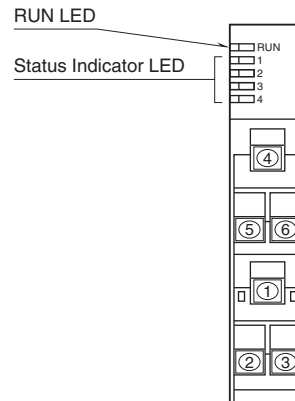
CE conformity:
 EMC Directive (2004/108/EC)
 EMI EN 61000-6-4: 2007
 EMS EN 61000-6-2: 2005

EXTERNAL VIEW

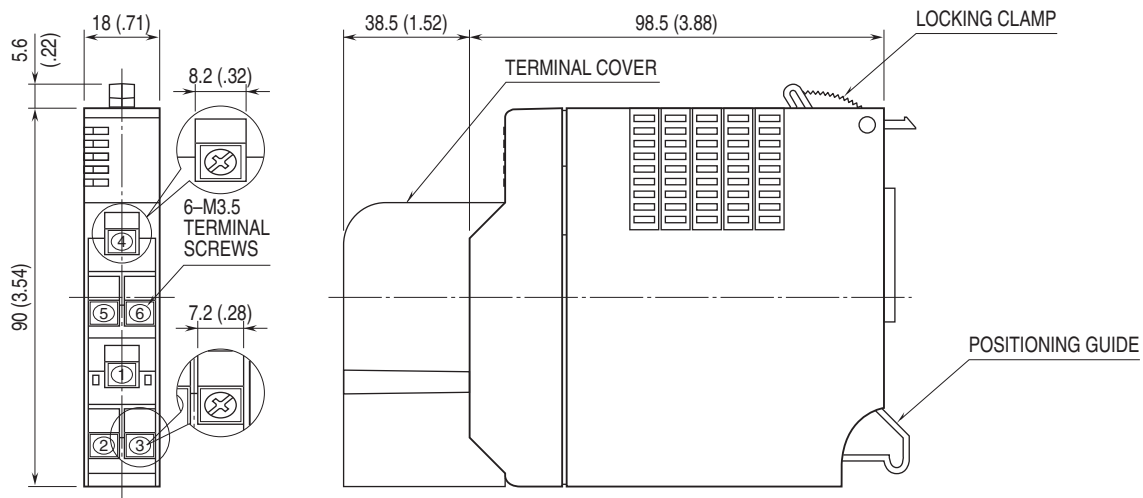
■ SIDE VIEW



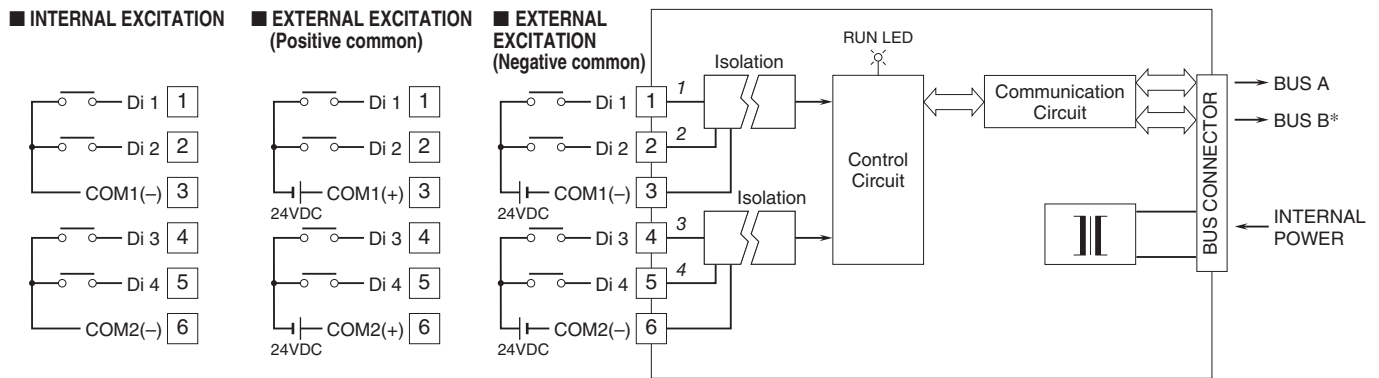
■ FRONT VIEW



EXTERNAL DIMENSIONS & TERMINAL ASSIGNMENTS unit: mm (inch)



SCHEMATIC CIRCUITRY & CONNECTION DIAGRAM



*For dual redundant communication.

NOTE: Italic typed numbers correspond to the LEDs on the front panel.



Specifications are subject to change without notice.