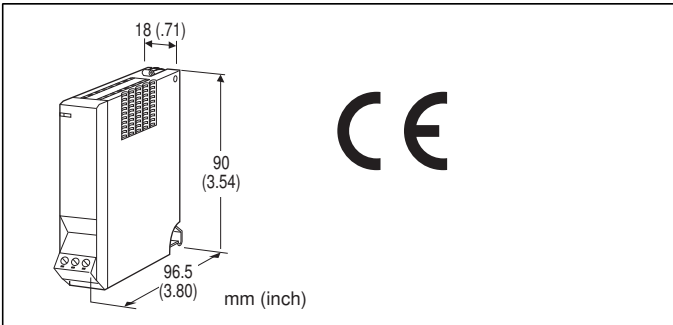


Remote I/O R5 Series

DC CURRENT INPUT MODULE



MODEL: R5-SS[1][2][3]

ORDERING INFORMATION

- Code number: R5-SS[1][2][3]
- Specify a code from below for each [1] through [3]. (e.g. R5-SS2W/Q)
- Specify the specification for option code /Q (e.g. /C01)

[1] NO. OF CHANNELS

- 1: 1 channel
- 2: 2 channels

[2] COMMUNICATION MODE

- S: Single
- W: Dual

[3] OPTIONS

Other Options

- blank: none
- /Q: Option other than the above (specify the specification)

SPECIFICATIONS OF OPTION: Q

COATING (For the detail, refer to M-System's web site.)

- /C01: Silicone coating
- /C02: Polyurethane coating
- /C03: Rubber coating

GENERAL SPECIFICATIONS

Connection

- Internal bus:** Via the Installation Base (model: R5-BS)
- Input:** Euro type connector terminal
- Wire size AWG24-12 (0.2 - 2.5 mm²), stripped length 7 mm
- Internal power:** Via the base (model: R5-BS)

Isolation: Input 1 to input 2 to internal bus or power

Input range: Selectable with the side DIP SW

RUN indicator: Bi-color (red/green) LED;
Red when the bus A operates normally;
Green when the bus B operates normally;
Amber when both buses operate normally.

INPUT SPECIFICATIONS

- **NARROW SPAN:** -1 - +1 mA, 0 - 1 mA DC
- Input resistance:** 1600 Ω resistor incorporated
- **WIDE SPAN:** -40 - +40 mA, -20 - +20 mA 0 - 40 mA, 0 - 20 mA, 4 - 20 mA DC
- Input resistance:** 40 Ω resistor incorporated

INSTALLATION

- Operating temperature:** -10 to +55°C (14 to 131°F)
- Operating humidity:** 30 to 90 %RH (non-condensing)
- Atmosphere:** No corrosive gas or heavy dust
- Mounting:** Installation Base (model: R5-BS)
- Weight:** 100 g (3.53 oz)

PERFORMANCE

- Conversion accuracy:** ±0.1 %
- Data range:** 0 - 10000 of the input range
- Data allocation:** 1 (2 for 2-channel type)
- Temp. coefficient:** ±0.015 %/°C (±0.008 %/°F)
- Response time:** ≤ 0.2 sec. (0 - 90 %)
- Insulation resistance:** ≥ 100 MΩ with 500 V DC
- Dielectric strength:** 1500 V AC @ 1 minute (input 1 to input 2 to internal bus or internal power)
- 2000 V AC @ 1 minute (power input to FG; isolated on the power supply module)

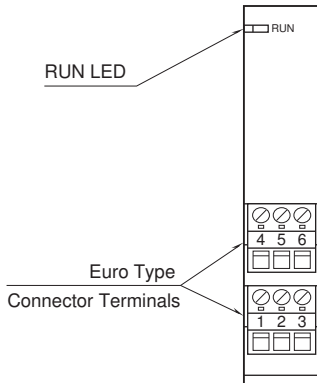
STANDARDS & APPROVALS

- CE conformity:**
- EMC Directive (2004/108/EC)
- EMI EN 61000-6-4: 2007
- EMS EN 61000-6-2: 2005

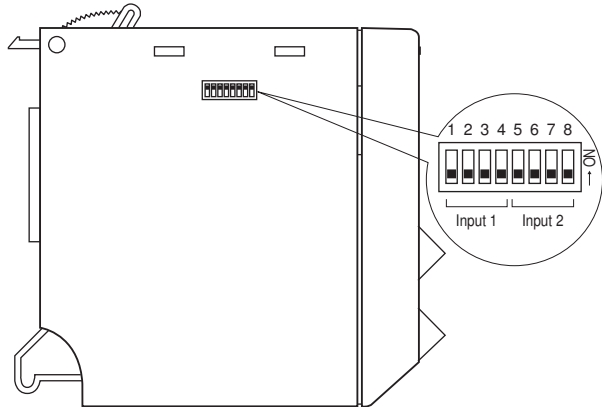


EXTERNAL VIEW

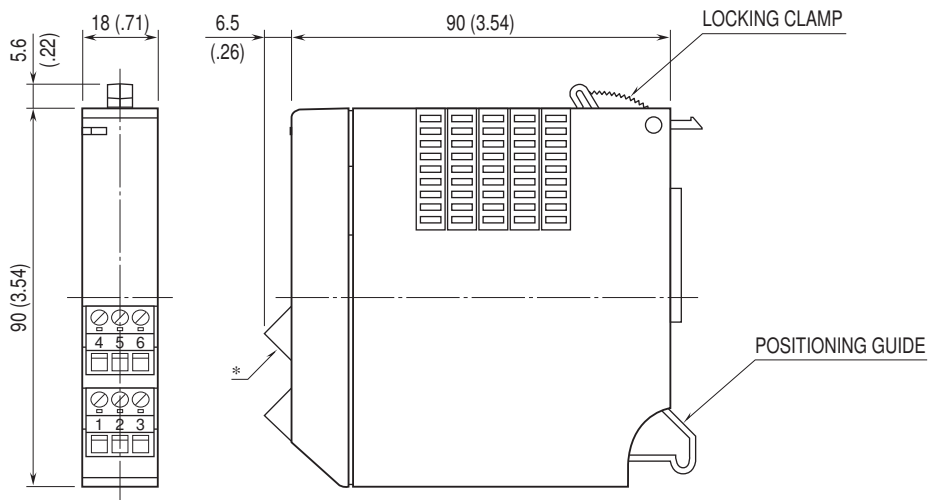
SIDE VIEW



FRONT VIEW

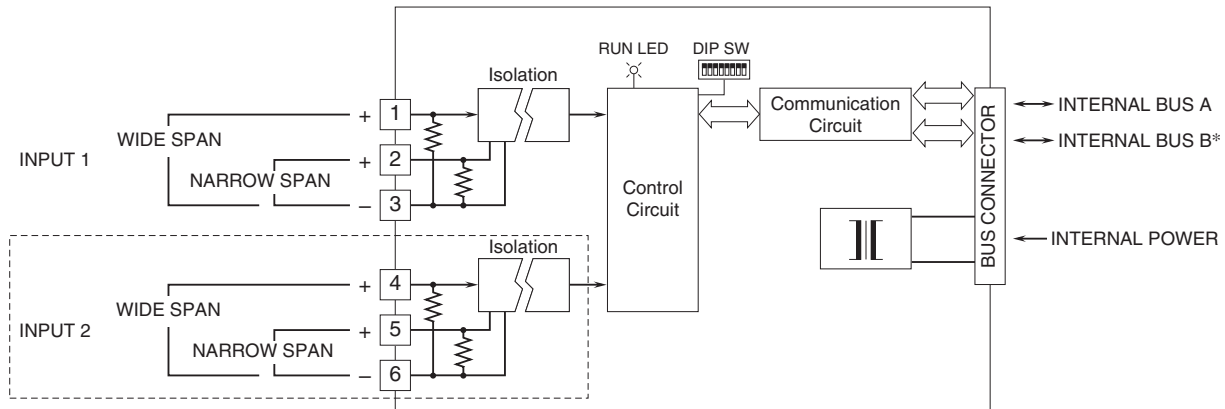


EXTERNAL DIMENSIONS & TERMINAL ASSIGNMENTS unit: mm (inch)



*Euro type connector terminals (4, 5 and 6) provided only with 2-ch. option.

SCHEMATIC CIRCUITRY & CONNECTION DIAGRAM



*For dual redundant communication.

NOTE: Connect either wide or narrow span terminals for each channel.
The section enclosed by broken line is with 2-ch. option.





Specifications are subject to change without notice.

