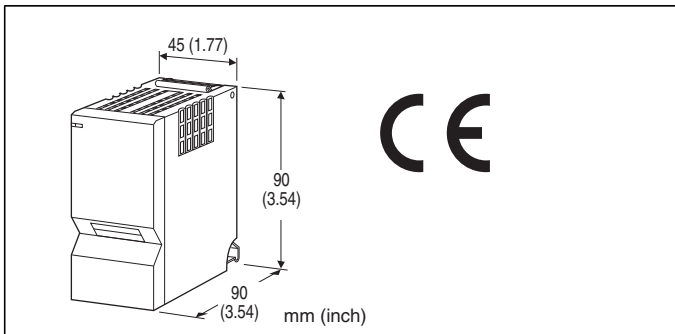


## Remote I/O R5 Series

### POWER SUPPLY MODULE



### MODEL: R5-PS[1][2]

#### ORDERING INFORMATION

- Code number: R5-PS[1][2]  
Specify a code from below for each [1] and [2].  
(e.g: R5-PSR/Q)
- Specify the specification for option code /Q  
(e.g. /C01/S01)

#### [1] POWER INPUT

##### AC Power

K: 100 - 120 V AC

(Operational voltage range 85 - 132 V, 47 - 66 Hz)

L: 200 - 240 V AC

(Operational voltage range 170 - 264 V, 47 - 66 Hz)

##### DC Power

R: 24 V DC

(Operational voltage range 24 V  $\pm$ 10 %, ripple 10 %p-p max.)

#### [2] OPTIONS

blank: none

/Q: With options (specify the specification)

#### SPECIFICATIONS OF OPTION: Q (multiple selections)

##### COATING (For the detail, refer to M-System's web site.)

/C01: Silicone coating

/C02: Polyurethane coating

/C03: Rubber coating

##### TERMINAL SCREW MATERIAL

/S01: Stainless steel

#### GENERAL SPECIFICATIONS

##### Connection

- Power input, RUN contact output: M3.5 screw terminals  
(torque 0.8 N·m)

•Internal power: Via the Installation Base (model: R5-BSx)

**Screw terminal:** Nickel-plated steel (standard) or stainless steel

**Isolation:** Internal power to power input to RUN contact output to FG

**Power indicator:** Bi-color (red/amber) LED;

Red when the power is supplied; Amber at RUN contact output ON.

**RUN contact output:** Contact turns ON (closed) while data from the host is normally received; OFF (open) with loss of communication for approx. 3 seconds.

#### ■ RUN CONTACT OUTPUT

**Rated load:** 250 V AC @ 0.5 A (cos  $\phi$  = 1)

30 V DC @ 0.5 A (resistive load)

**Maximum switching voltage:** 250 V AC or 30 V DC

**Maximum switching power:** 250 VA or 150 W

**Minimum load:** 1 V DC @ 1 mA

**Mechanical life:**  $2 \times 10^7$  cycles (rate 300 cycles/min.) When driving an inductive load, external contact protection and noise quenching recommended.

#### INSTALLATION

##### Power consumption

•AC: Approx. 90 VA

•DC: Approx. 45 W or 1.8 A

**Output current:** 1.5 A continuous at 21 V DC;

(Total current continuously consumed at the network modules and I/O modules must be within 1.5 A.)

**Operating temperature:** -10 to +55°C (14 to 131°F)

**Operating humidity:** 30 to 90 %RH (non-condensing)

**Atmosphere:** No corrosive gas or heavy dust

**Mounting:** Installation Base (model: R5-BSx) or Extender

Power Supply Module Base (R5-EX1)

**Weight:** 250 g (0.55 lb)

#### PERFORMANCE

**Insulation resistance:**  $\geq 100$  M $\Omega$  with 500 V DC

**Dielectric strength:** 2000 V AC @ 1 minute

(internal power to power input to RUN contact output to FG)

#### STANDARDS & APPROVALS

##### CE conformity:

EMC Directive (2004/108/EC)

EMI EN 61000-6-4: 2007

EMS EN 61000-6-2: 2005

Low Voltage Directive (2006/95/EC)

EN 61010-1: 2001

Measurement Category II (RUN contact output)

Installation Category II (power input)

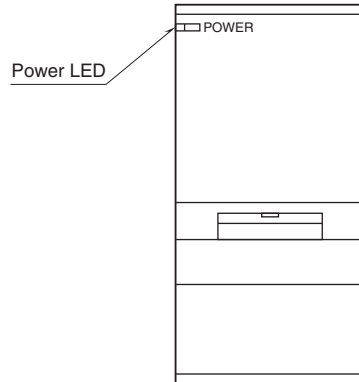
Pollution Degree 2

Internal power or RUN contact output to power input to FG:

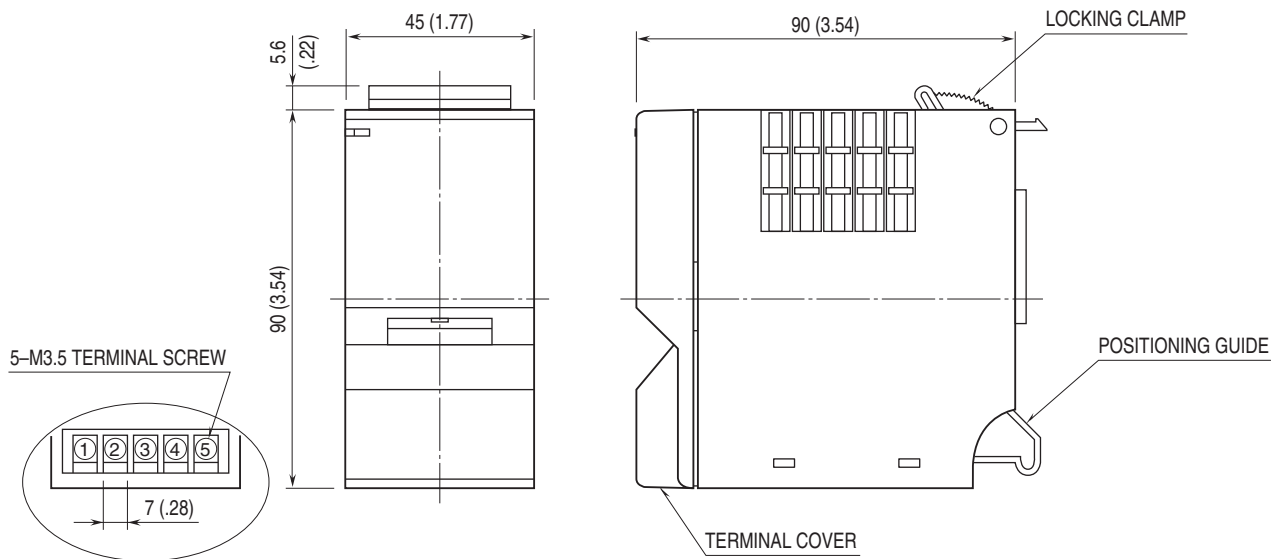


Reinforced insulation (300 V)  
 Internal power to RUN contact output: Basic insulation  
 (300 V)

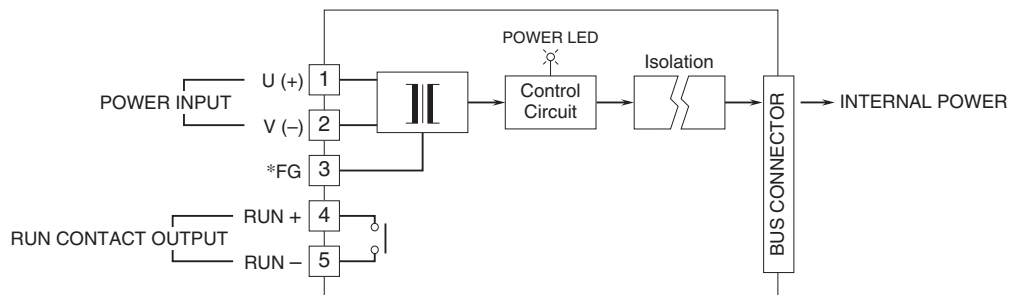
## EXTERNAL VIEW



## EXTERNAL DIMENSIONS & TERMINAL ASSIGNMENTS unit: mm (inch)



## SCHEMATIC CIRCUITRY & CONNECTION DIAGRAM



\*In order to improve EMC performance, bond the FG terminal to ground.  
 Caution: This terminal is NOT a protective conductor terminal.



Specifications are subject to change without notice.



**幸託有限公司**  
XIN TOP CORPORATION

TEL : (02)2598-1199  
FAX : (02)2596-2331

E-mail : [info@xintop.com](mailto:info@xintop.com)  
Website : [www.xintop.com](http://www.xintop.com)