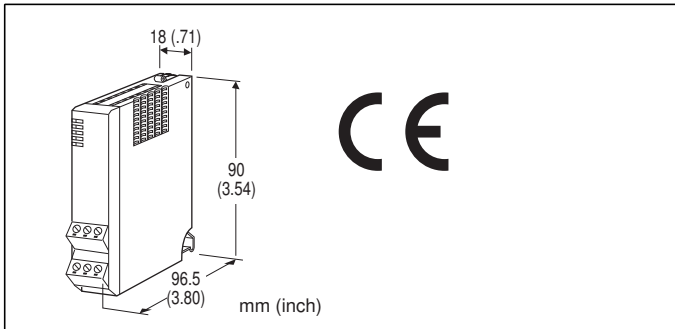


Remote I/O R5 Series

DISCRETE INPUT MODULE

(Di 4 points)



MODEL: R5-DA4[1][2]

ORDERING INFORMATION

- Code number: R5-DA4[1][2]
Specify a code from below for each [1] and [2].
(e.g. R5-DA4W/A/Q)
- Specify the specification for option code /Q
(e.g. /C01)

[1] COMMUNICATION MODE

S: Single
W: Dual

[2] OPTIONS (multiple selections)

Excitation

Blank: Internal
/A: External (24 V DC, positive common)
/B: External (24 V DC, negative common)

Other Options

blank: none
/Q: Option other than the above (specify the specification)

SPECIFICATIONS OF OPTION: Q

COATING (For the detail, refer to M-System's web site.)

/C01: Silicone coating
/C02: Polyurethane coating
/C03: Rubber coating

GENERAL SPECIFICATIONS

Connection

Internal bus: Via the Installation Base
(model: R5-BS)
Input: Euro type connector terminal
Wire size AWG24-12 (0.2 - 2.5 mm²), stripped length 7 mm

Internal power: Via the base (model: R5-BS)
Isolation: Di1 or Di2 to Di3 or Di4 to internal bus or internal power
RUN indicator: Bi-color (red/green) LED;
Red when the bus A operates normally;
Green when the bus B operates normally;
Amber when both buses operate normally.
Input status indicator: Red LED; turns on with the inputs supplied.

INPUT SPECIFICATIONS

Internal Excitation

Input: Dry contact, 4 points
Common: Negative, every 2 points
Contact detecting: Max. 24 V DC
ON voltage, current: ≥ 15 V, ≥ 2.5 mA
OFF voltage, current: ≤ 6 V, ≤ 1 mA

External Excitation (Positive common)

Input: 24 V DC, 4 points (input resistance 6 k Ω)
Common: every 2 points
Contact detecting: external 24 V DC ± 10 %
ON voltage, current: ≥ 15 V, ≥ 2.5 mA
OFF voltage, current: ≤ 6 V, ≤ 1 mA

External Excitation (Negative common)

Input: 24 V DC, 4 points (input resistance 6 k Ω)
Common: every 2 points
Contact detecting: external 24 V DC ± 10 %
ON voltage, current: ≥ 15 V, ≥ 2.5 mA
OFF voltage, current: ≤ 6 V, ≤ 1 mA

INSTALLATION

Operating temperature: -10 to +55°C (14 to 131°F)
Operating humidity: 30 to 90 %RH (non-condensing)
Atmosphere: No corrosive gas or heavy dust
Mounting: Installation Base (model: R5-BS)
Weight: 100 g (3.53 oz)

PERFORMANCE

Data allocation: 1
Response time: ≤ 0.1 sec.
Insulation resistance: ≥ 100 M Ω with 500 V DC
Dielectric strength: 1500 V AC @ 1 minute (Di 1 or Di 2 to Di 3 or Di 4 to internal bus or internal power)
2000 V AC @ 1 minute (power input to FG; isolated on the power supply module)

STANDARDS & APPROVALS

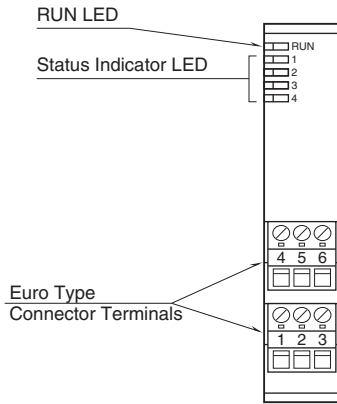
CE conformity:
EMC Directive (2004/108/EC)
EMI EN 61000-6-4: 2007/A1: 2011



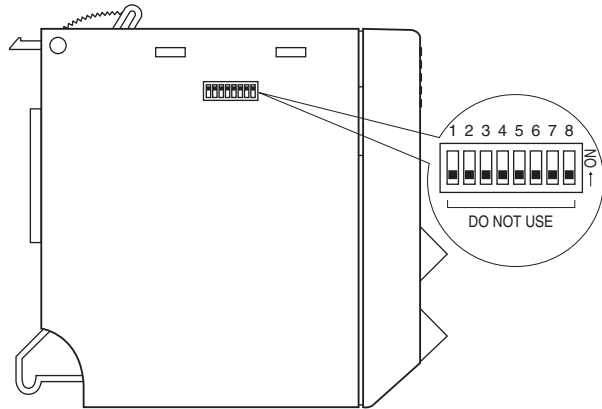
EMS EN 61000-6-2: 2005

EXTERNAL VIEW

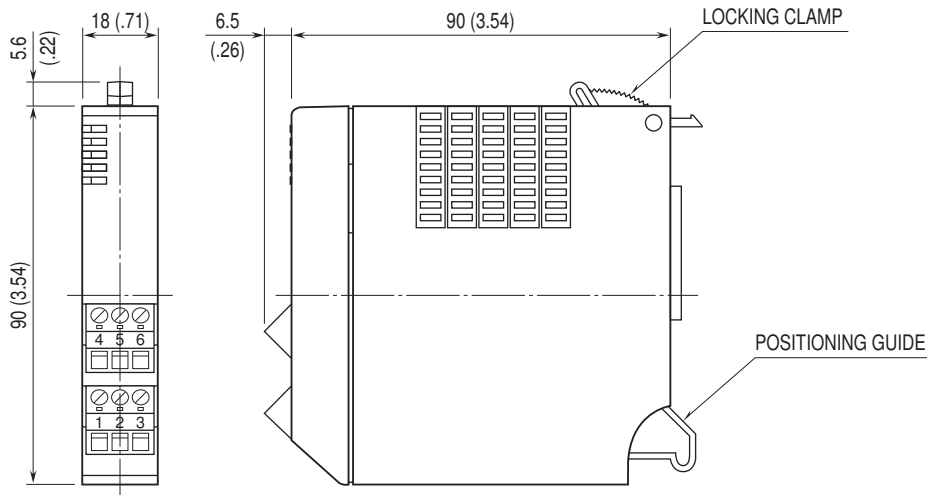
■ FRONT VIEW



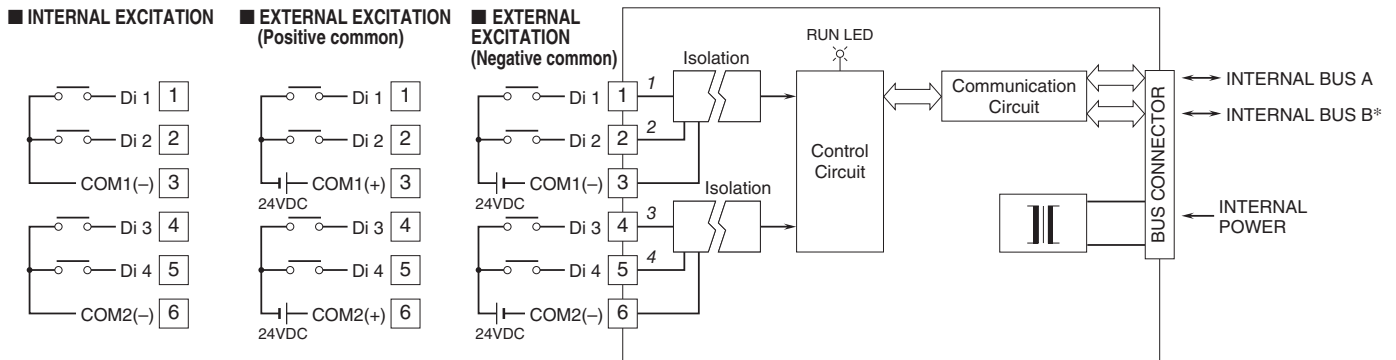
■ SIDE VIEW



EXTERNAL DIMENSIONS & TERMINAL ASSIGNMENTS unit: mm (inch)



SCHEMATIC CIRCUITRY & CONNECTION DIAGRAM



*For dual redundant communication.
NOTE: Italic typed numbers correspond to the LEDs on the front panel.



幸託有限公司
XIN TOP CORPORATION

TEL : (02)2598-1199
FAX : (02)2596-2331

E-mail : info@xintop.com
Website : www.xintop.com



Specifications are subject to change without notice.



幸託有限公司
XIN TOP CORPORATION

TEL : (02)2598-1199
FAX : (02)2596-2331

E-mail : info@xintop.com
Website : www.xintop.com