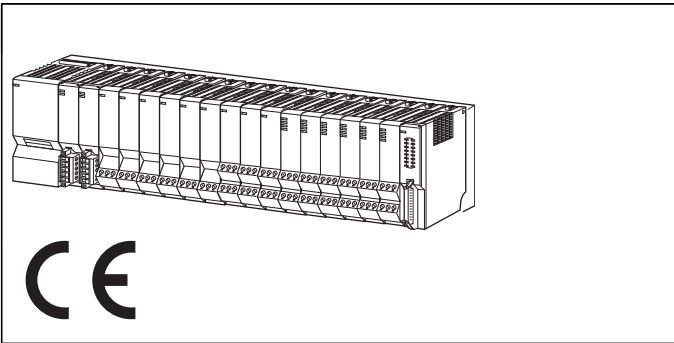


Remote I/O R5 Series

INSTALLATION BASE



MODEL: R5-BS[1][2]

ORDERING INFORMATION

- Code number: R5-BS[1][2]
Specify a code from below for each [1] and [2].
(e.g: R5-BS16/Q)
- Specify the specification for option code /Q
(e.g. /C01)

[1] I/O CAPACITY

- 04: 4 slots
- 05: 5 slots (single network module)
- 08: 8 slots
- 09: 9 slots (single network module)
- 16: 16 slots

[2] OPTIONS

- blank: none
- /Q: With options (specify the specification)

SPECIFICATIONS OF OPTION: Q

COATING (For the detail, refer to M-System's web site.)

- Only solder side of the main PWB is coated.
- /C01: Silicone coating
- /C02: Polyurethane coating
- /C03: Rubber coating

GENERAL SPECIFICATIONS

Capacity

- Power:** 1 module; 2 modules with Extender Base for Power Supply Unit (Model: R5-EX1)
- Network interface:** 2 modules
(Only one [1] network module for R5-BS05 and BS09;
Select R5-BS04, BS08, or BS16 for dual-redundant network communications.)

I/O:

- R5-BS04: 4 modules
- R5-BS05: 5 modules
- R5-BS08: 8 modules
- R5-BS09: 9 modules
- R5-BS16: 16 modules

INSTALLATION

- Operating temperature:** -10 to +55°C (14 to 131°F)
- Operating humidity:** 30 to 90 %RH (non-condensing)
- Atmosphere:** No corrosive gas or heavy dust
- Mounting:** Surface or DIN rail
- Weight (No I/O module mounted)**
 - R5-BS04, BS05: 120 g (0.26 lb)
 - R5-BS08, BS09: 170 g (0.37 lb)
 - R5-BS16: 280 g (0.62 lb)

PERFORMANCE

- Insulation resistance:** $\geq 100 \text{ M}\Omega$ with 500 V DC
(internal power or internal bus to ground)
- Dielectric strength:** 2000 V AC @ 1 minute
(internal power or internal bus to ground)

STANDARDS & APPROVALS

- CE conformity:**
 - EMC Directive (2004/108/EC)
 - EMI EN 61000-6-4: 2007
 - EMS EN 61000-6-2: 2005



CURRENT CONSUMPTION

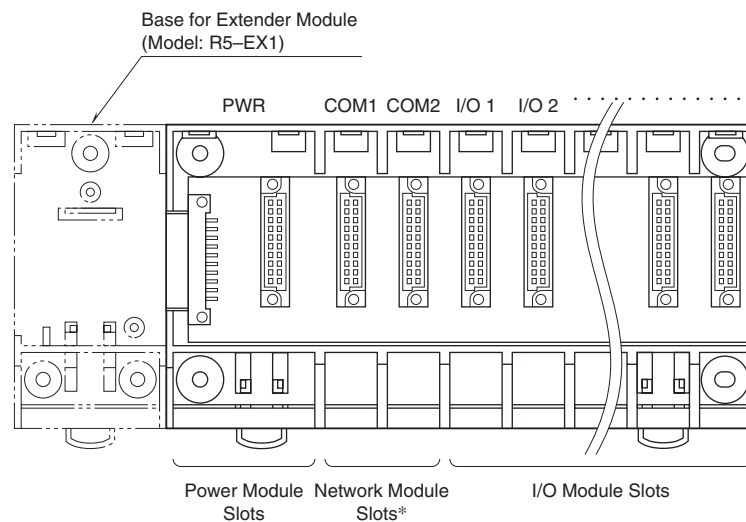
The network and I/O modules operates by the DC voltage (21V, 1.5A) supplied from the power module. Arrange these modules in order that the total current consumed by these modules be within this capacity. If the current consumption exceeds the limit, reduce the number of modules to be supplied from the power module.

R5 SERIES	R5T SERIES	MAX. CURRENT	
		2 CH.	1 CH.
R5-DS	R5T-DS	120mA	80mA
R5-SV	R5T-SV	50mA	50mA
R5-SS	R5T-SS	50mA	50mA
R5-YV	R5T-YV	50mA	50mA
R5-YS	R5T-YS	100mA	80mA
R5-YS/H	R5T-YS/H	---	110mA
R5-TS	R5T-TS	60mA	60mA
R5-RS	R5T-RS	60mA	60mA
R5-RSA	----	60mA	60mA
R5-MS	----	60mA	60mA
---	R5T-CT	50mA	50mA
---	R5T-CTA	50mA	50mA
---	R5T-CTB	50mA	50mA
---	R5T-PT	50mA	50mA
R5-PA2	R5T-PA2	30mA	---
R5-PC2	R5T-PC2	30mA	---
R5-SV1A	---	---	80mA
R5-SS1A	---	---	80mA
R5-DS1A	---	---	120mA
R5-TS1A	---	---	80mA
R5-RS1A	---	---	80mA
R5-MS1A	---	---	80mA

R5 SERIES	R5T SERIES	MAX. CURRENT
R5-DA4	R5T-DA4	50mA
R5-DA16	---	80mA
R5-DC4	R5T-DC4	90mA
R5-DC16	---	80mA
R5-NC1	---	100mA
R5-NC2	---	110mA
R5-ND1	---	40mA
R5-ND2	---	40mA
R5-NE1	---	75mA
R5-NM1	---	50mA
R5-NP1	---	100mA
R5-NP2	---	100mA
R5-NF1	---	100mA

EXTERNAL VIEW

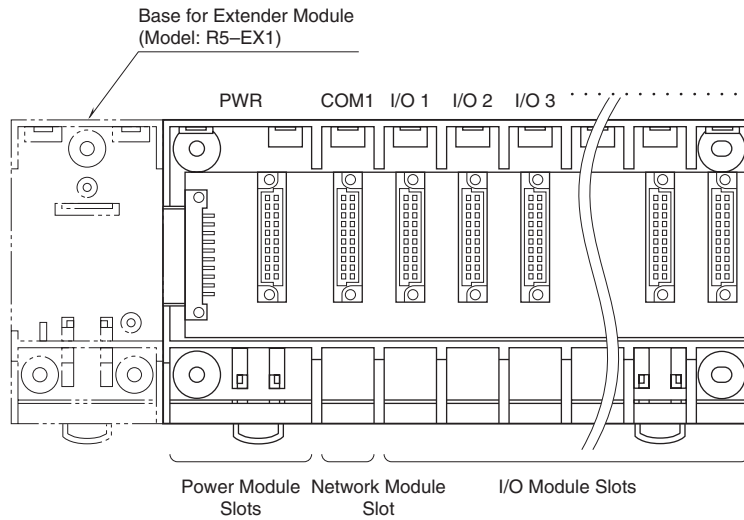
■ R5-BS04, BS08, BS16



*Mount the Network Module on COM1 for single communication mode.

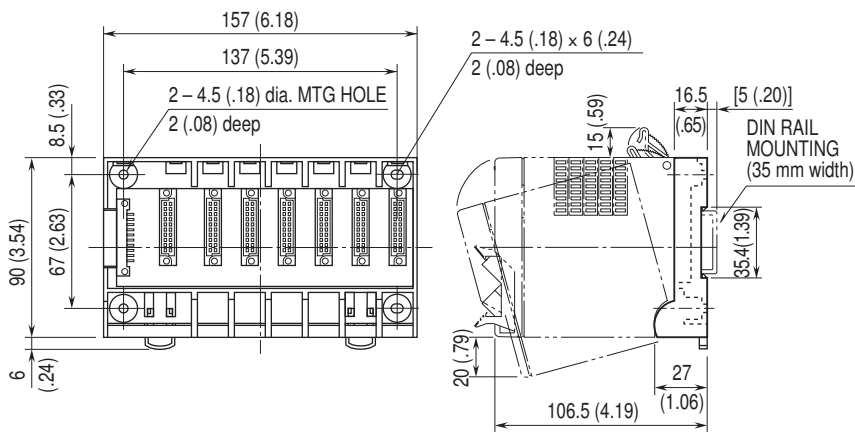


■ R5-BS05, BS09

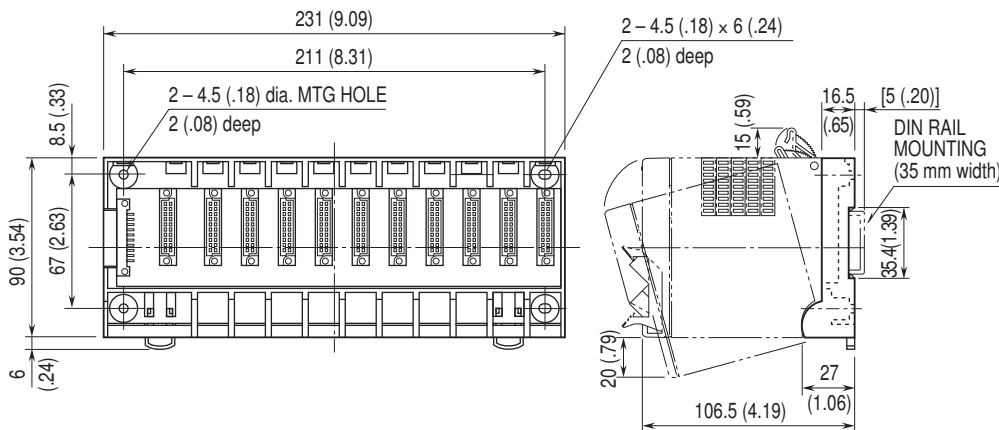


DIMENSIONS unit: mm (inch)

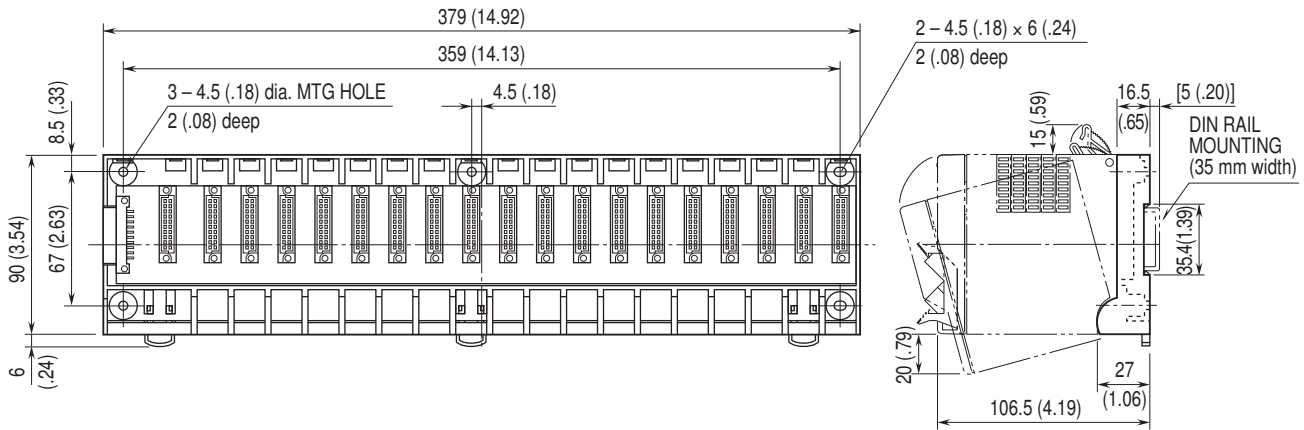
■ R5-BS04, BS05



■ R5-BS08, BS09

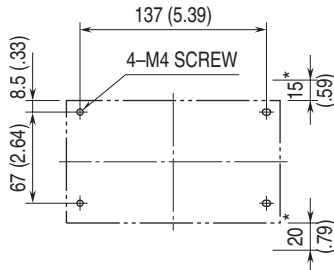


■ R5-BS16



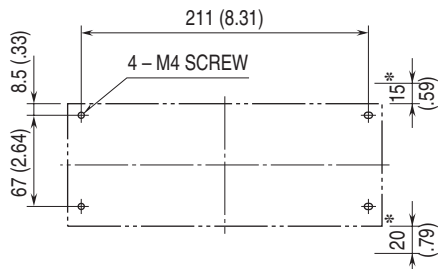
MOUNTING REQUIREMENTS unit: mm (inch)

■ 4 OR 5 I/O MODULE TYPE



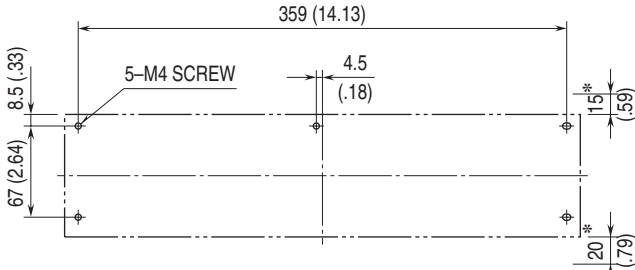
*Working space required for mounting/unmounting the modules.

■ 8 OR 9 I/O MODULE TYPE



*Working space required for mounting/unmounting the modules.

■ 16 I/O MODULE TYPE



*Working space required for mounting/unmounting the modules.



Specifications are subject to change without notice.