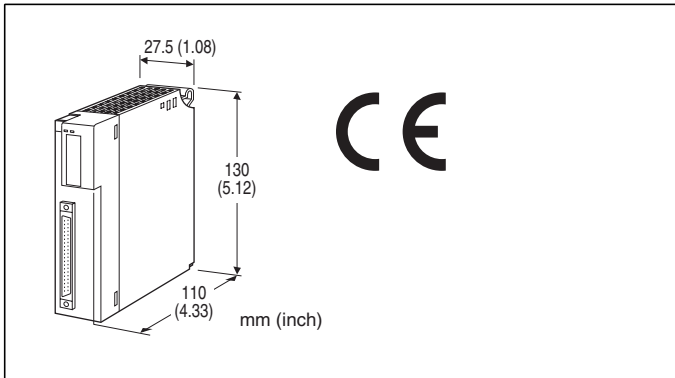


Remote I/O R3 Series

DC CURRENT INPUT MODULE

(8 points, non-isolated)



MODEL: R3Y-SS8N[1][2]

ORDERING INFORMATION

- Code number: R3Y-SS8N[1][2]
Specify a code from below for each [1] and [2].
(e.g. R3Y-SS8NW/CE/Q)
- Specify the specification for option code /Q
(e.g. /SET)

NO. OF CHANNELS

8: 8

ISOLATION

N: Non-isolated between inputs

[1] COMMUNICATION MODE

S: Single

W: Dual

[2] OPTIONS (multiple selections)

Standards & Approvals

blank: Without CE

/CE: CE marking

Other Options

blank: none

/Q: Option other than the above (specify the specification)

SPECIFICATIONS OF OPTION: Q

EX-FACTORY SETTING

/SET: Preset according to the Ordering Information Sheet
(No. ESU-8406)

CAUTION

■ UNUSED INPUT CHANNELS

Unused channels can be specified and set so on the PC Configurator Software (model: R3CON).

GENERAL SPECIFICATIONS

Connection

Internal bus: Via the Installation Base (model: R3-BSx)

Input: 40-pin connector (Fujitsu FCN-365P040-AU)

Internal power: Via the Installation Base (model: R3-BSx)

Isolation: Input 1 or input 2 or input 3 or input 4 or input 5 or input 6 or input 7 or input 8 to internal bus or internal power

Conversion rate: Selectable with the side DIP SW

RUN indicator: Bi-color (red/green) LED;

Red when the bus A operates normally;

Green when the bus B operates normally;

Amber when both buses operate normally.

ERR indicator: Bi-color (red/green) LED;

Red with the input circuit abnormality (AD converter response failure);

Green in normal operating conditions.

INPUT SPECIFICATIONS

■ DC Current: 4 - 20 mA DC

Input resistance: 250 Ω resistor incorporated

INSTALLATION

Operating temperature: -10 to +55°C (14 to 131°F)

Operating humidity: 30 to 90 %RH (non-condensing)

Atmosphere: No corrosive gas or heavy dust

Mounting: Installation Base (model: R3-BSx)

Weight: 200 g (0.44 lb)

PERFORMANCE

Conversion accuracy: Refer to the table at the end of this section.

Conversion rate: 160 / 80 / 40 / 20 msec. selectable

Data range: 0 - 10000

Data allocation: 8

Current consumption: 60 mA

Temp. coefficient: ± 0.02 %/°C (± 0.01 %/°F)

Response time: ≤ 0.2 sec. (0 - 90 %)

Insulation resistance: ≥ 100 M Ω with 500 V DC

Dielectric strength: 500 V AC @ 1 minute

(input 1 or input 2 or input 3 or input 4 or input 5 or input 6 or input 7 or input 8 to internal bus or internal power)

2000 V AC @ 1 minute (power input to FG; isolated on the power supply module)



Conversion accuracy

RANGE	RATE	160 msec.	80 msec.	40 msec.	20 msec.
4 – 20mA		±0.05%	±0.1%	±0.2%	±0.4%

STANDARDS & APPROVALS

CE conformity:

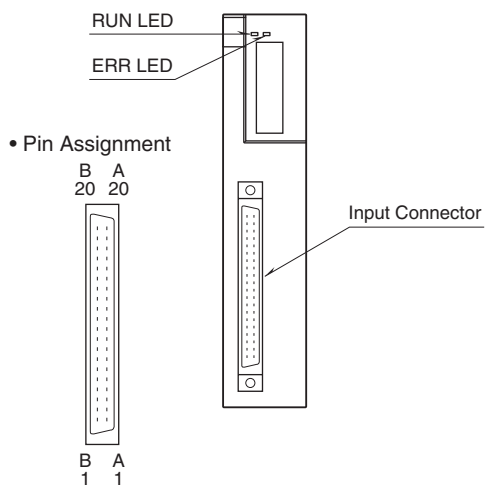
EMC Directive (2004/108/EC)

EMI EN 61000-6-4: 2007/A1: 2011

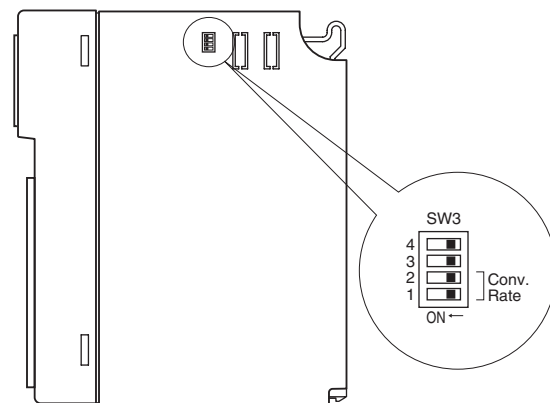
EMS EN 61000-6-2: 2005

EXTERNAL VIEW

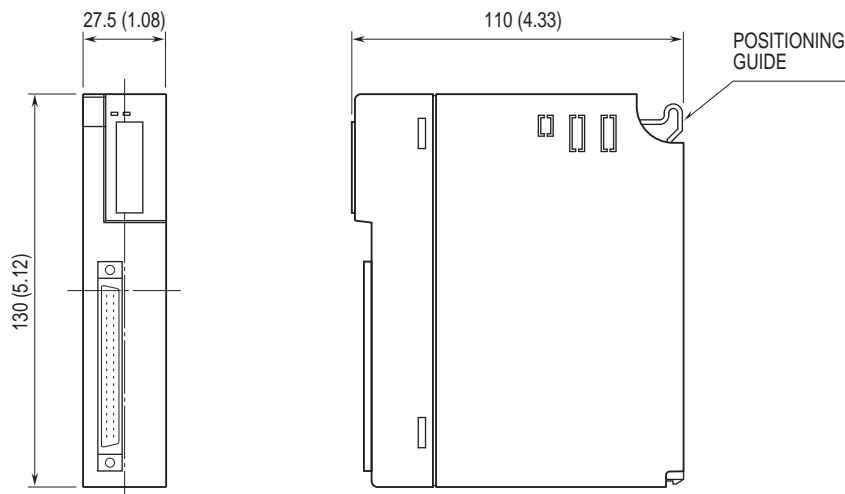
■ FRONT VIEW



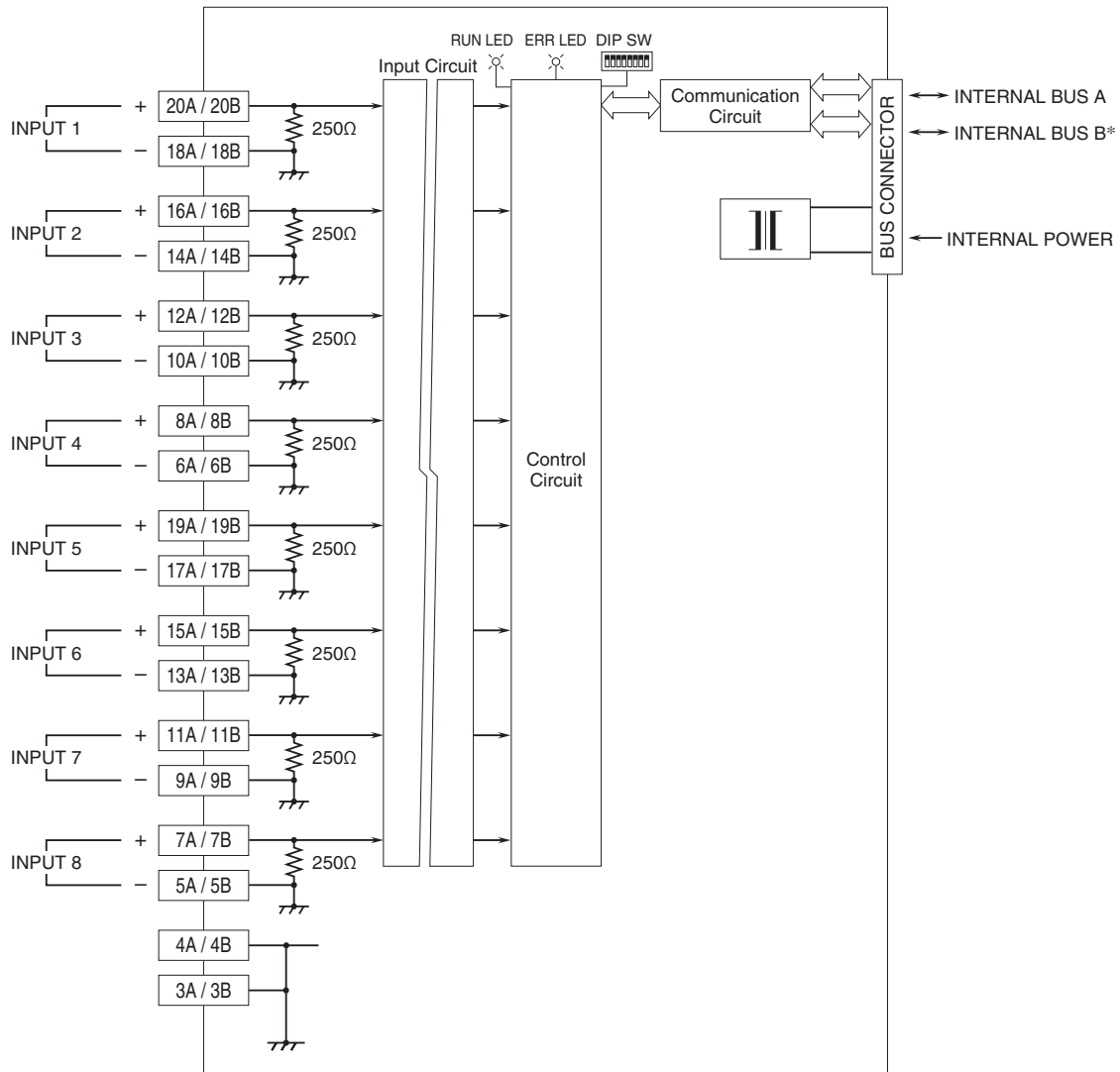
■ SIDE VIEW



DIMENSIONS unit: mm (inch)



SCHEMATIC CIRCUITRY & CONNECTION DIAGRAM



*For dual redundant communication.

INPUT CONNECTOR (40-pin)

PIN NO.	ASSIGNMENT	PIN NO.	ASSIGNMENT
1A	NC	1B	NC
2A	NC	2B	NC
3A	NC	3B	NC
4A	NC	4B	NC
5A	- IN8	5B	- IN8
6A	- IN4	6B	- IN4
7A	+ IN8	7B	+ IN8
8A	+ IN4	8B	+ IN4
9A	- IN7	9B	- IN7
10A	- IN3	10B	- IN3
11A	+ IN7	11B	+ IN7
12A	+ IN3	12B	+ IN3
13A	- IN6	13B	- IN6
14A	- IN2	14B	- IN2
15A	+ IN6	15B	+ IN6
16A	+ IN2	16B	+ IN2
17A	- IN5	17B	- IN5
18A	- IN1	18B	- IN1
19A	+ IN5	19B	+ IN5
20A	+ IN1	20B	+ IN1





Specifications are subject to change without notice.

