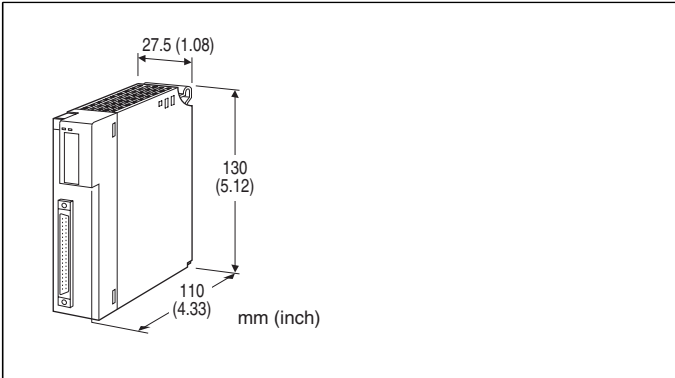


Remote I/O R3 Series

4 - 20 mA INPUT MODULE

(2-wire transmitter excitation supply; 8 points, non-isolated)



MODEL: R3Y-DS8N[1]

ORDERING INFORMATION

- Code number: R3Y-DS8N[1]
- Specify a code from below for [1]
(e.g. R3Y-DS8NW)

NO. OF CHANNELS

8: 8

ISOLATION

N: Non-isolated between inputs

[1] COMMUNICATION MODE

S: Single

W: Dual

GENERAL SPECIFICATIONS

Connection

Internal bus: Via the Installation Base (model: R3-BSx)

Input: 40-pin connector (Fujitsu FCN-365P040-AU)

Power supply: Via the Installation Base (model: R3-BSx)

Isolation: Input to internal power

Conversion rate: Selectable with the side DIP SW

RUN indicator: Bi-color (red/green) LED;

Red when the bus A operates normally;

Green when the bus B operates normally;

Amber when both buses operate normally.

ERR indicator: Green LED turns on in normal operating conditions.

SUPPLY OUTPUT

Sensor excitation: 24 V DC, ≥ 300 mA

- Shortcircuit Protection

Current limited: Approx. 30 mA per channel

Protected time duration: No limit

INPUT SPECIFICATIONS

■ DC Current: 4 - 20 mA DC

Input resistance: 250 Ω resistor incorporated

INSTALLATION

Operating temperature: -10 to +55°C (14 to 131°F)

Operating humidity: 30 to 90 %RH (non-condensing)

Atmosphere: No corrosive gas or heavy dust

Mounting: Installation Base (model: R3-BSx)

Weight: 160 g (0.35 lbs)

PERFORMANCE

Conversion accuracy: Refer to the table at the end of this section.

Conversion rate: 160 / 80 / 40 / 20 msec. selectable

Data range: 0 - 10000

Data allocation: 8

Current consumption: 60 mA

Temp. coefficient: ± 0.015 %/°C (± 0.008 %/°F)

Response time: ≤ 0.2 sec. (0 - 90 %)

Insulation resistance: ≥ 100 M Ω with 500 V DC

Dielectric strength: 1500 V AC @ 1 minute

(input to internal power)

2000 V AC @ 1 minute (power input to FG; isolated on the power supply module)

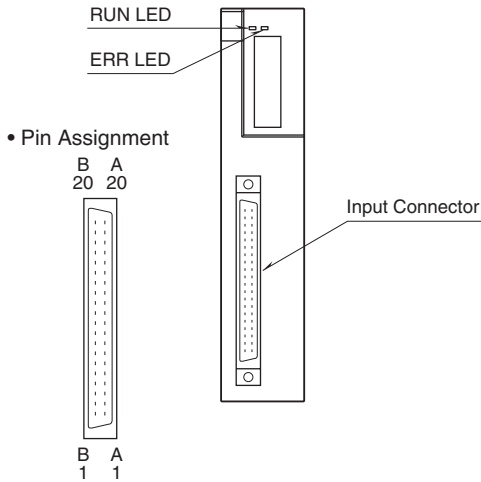
Conversion accuracy

Rate	160 msec.	80 msec.	40 msec.	20 msec.
Accuracy	$\pm 0.05\%$	$\pm 0.1\%$	$\pm 0.2\%$	$\pm 0.4\%$

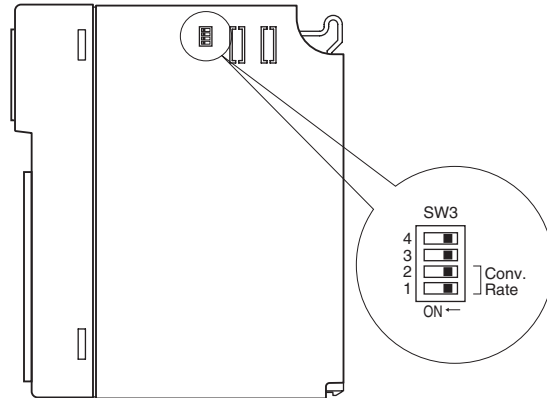


EXTERNAL VIEW

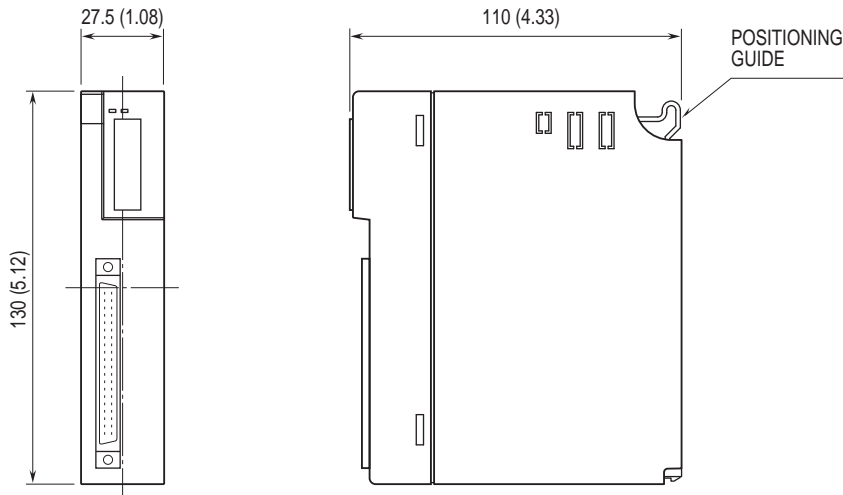
■ FRONT VIEW



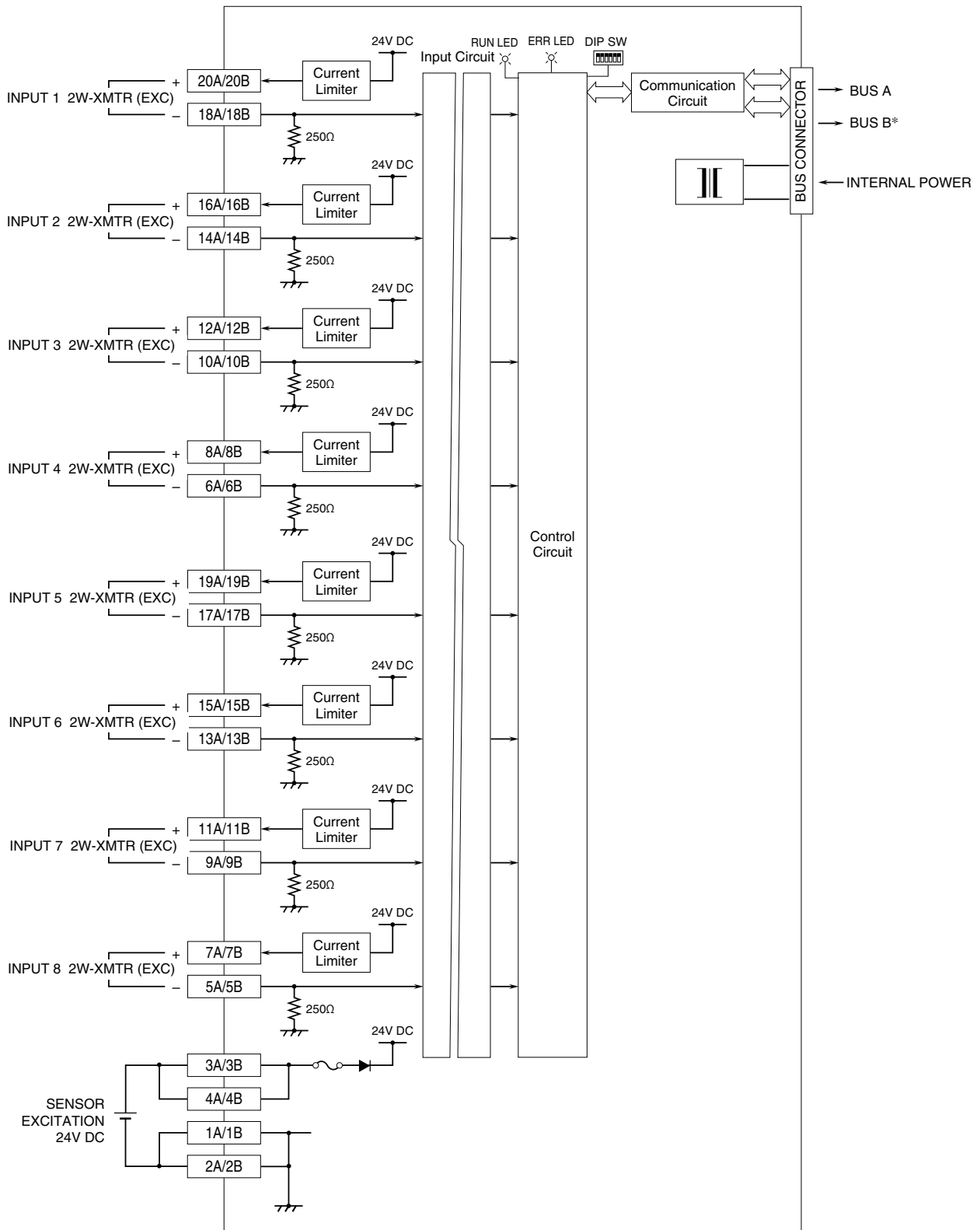
■ SIDE VIEW



DIMENSIONS unit: mm (inch)



SCHEMATIC CIRCUITRY & CONNECTION DIAGRAM



*For dual redundant communication.

Caution

Input value is less than -15% for the open input terminals, then the host PC/PLC recognizes and configures this as error. The unused channels can be specified and configured with the PC Configurator Software (model: R3CON).



INPUT CONNECTOR (40-pin)

PIN NO.	ASSIGNMENT	PIN NO.	ASSIGNMENT
1A	GND	1B	GND
2A	GND	2B	GND
3A	+24V	3B	+24V
4A	+24V	4B	+24V
5A	-IN8	5B	-IN8
6A	-IN4	6B	-IN4
7A	+IN8	7B	+IN8
8A	+IN4	8B	+IN4
9A	-IN7	9B	-IN7
10A	-IN3	10B	-IN3
11A	+IN7	11B	+IN7
12A	+IN3	12B	+IN3
13A	-IN6	13B	-IN6
14A	-IN2	14B	-IN2
15A	+IN6	15B	+IN6
16A	+IN2	16B	+IN2
17A	-IN5	17B	-IN5
18A	-IN1	18B	-IN1
19A	+IN5	19B	+IN5
20A	+IN1	20B	+IN1



Specifications are subject to change without notice.

