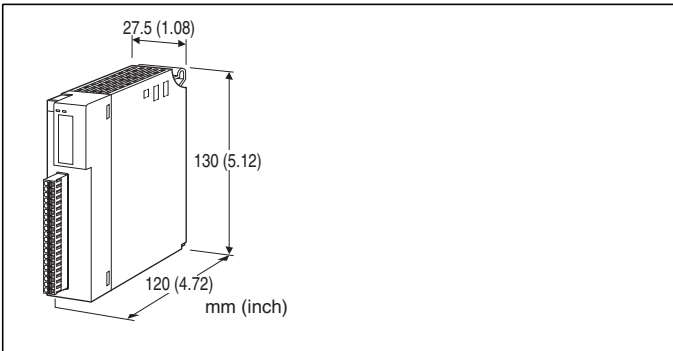


Remote I/O R3 Series

DC CURRENT OUTPUT MODULE

(4 points, isolated)



MODEL: R3S-YS4[1][2]

ORDERING INFORMATION

- Code number: R3S-YS4[1][2]
- Specify a code from below for each [1] and [2].
(e.g. R3S-YS4W/H/Q)
- Specify the specification for option code /Q
(e.g. /SET)

NO. OF CHANNELS

4: 4

[1] COMMUNICATION MODE

S: Single

W: Dual

[2] OPTIONS (multiple selections)

Load Resistance

blank: $\leq 300 \Omega$

/H: $\leq 600 \Omega$

Other Options

blank: none

/Q: Option other than the above (specify the specification)

SPECIFICATIONS OF OPTION: Q

EX-FACTORY SETTING

/SET: Preset according to the Ordering Information Sheet
(No. ESU-8370)

GENERAL SPECIFICATIONS

Connection

Internal bus: Via the Installation Base (model: R3-BSx)

Output: Separable tension clamp terminal

Internal supply: Via the Installation Base (model: R3-BSx)

Applicable wire size: 0.2 to 1.25 mm², stripped length 10 mm

Isolation: Output 1 to output 2 to output 3 to output 4 to internal bus or internal power

Output hold function: Setting for communication error with side DIP SW

RUN indicator: Bi-color (red/green) LED;
Red when the bus A operates normally;
Green when the bus B operates normally;
Amber when both buses operate normally.

ERR indicator: Bi-color (red/green) LED;
Red with the output abnormality;
Green in normal operating conditions.

OUTPUT SPECIFICATIONS

Output range: 4 - 20 mA DC

Load resistance: 300 Ω max. (600 Ω max. with Option /H)

INSTALLATION

Operating temperature: -10 to +55°C (14 to 131°F)

Operating humidity: 30 to 90 %RH (non-condensing)

Atmosphere: No corrosive gas or heavy dust

Mounting: Installation Base (model: R3-BSx)

Weight: 200 g (0.44 lb)

PERFORMANCE

Conversion accuracy: $\pm 0.05 \%$

Data range: 0 - 10000 of the output range

Data allocation: 4

Current consumption: 180 mA (260 mA with Option /H)

Temp. coefficient: $\pm 0.015 \%/^{\circ}\text{C}$ ($\pm 0.008 \%/^{\circ}\text{F}$)

Response time: ≤ 0.2 sec. (0 - 90 %)

Insulation resistance: $\geq 100 \text{ M}\Omega$ with 500 V DC

Dielectric strength: 1500 V AC @ 1 minute (output 1 to output 2 to output 3 to output 4 to internal bus or internal power)

2000 V AC @ 1 minute (power input to FG; isolated on the power supply module)

FUNCTIONS

■ OUTPUT HOLD or OUTPUT OFF

In normal conditions, the module outputs the signal from the preferred bus A.

When an error is detected, the output is switched to the data from the bus B.

• Output Hold

If both are in error, the module holds the signal and stands by until one of the communications recovers.

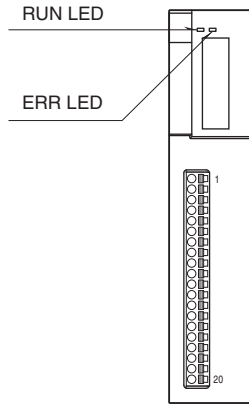
• Output OFF



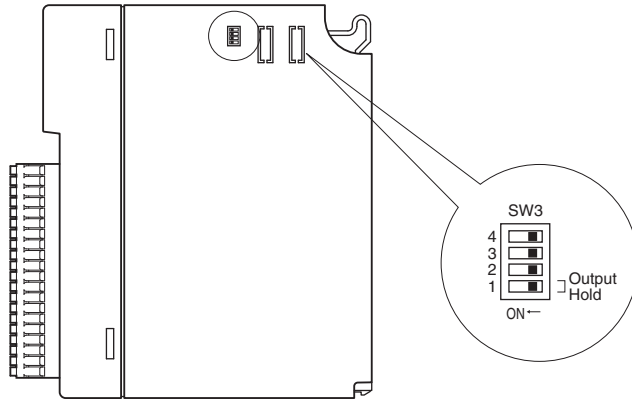
If both are in error, the module outputs -15 % and stands by until one of the communications recovers.
 At the startup, it outputs -15 % until the communication is established and normal data is received.

EXTERNAL VIEW

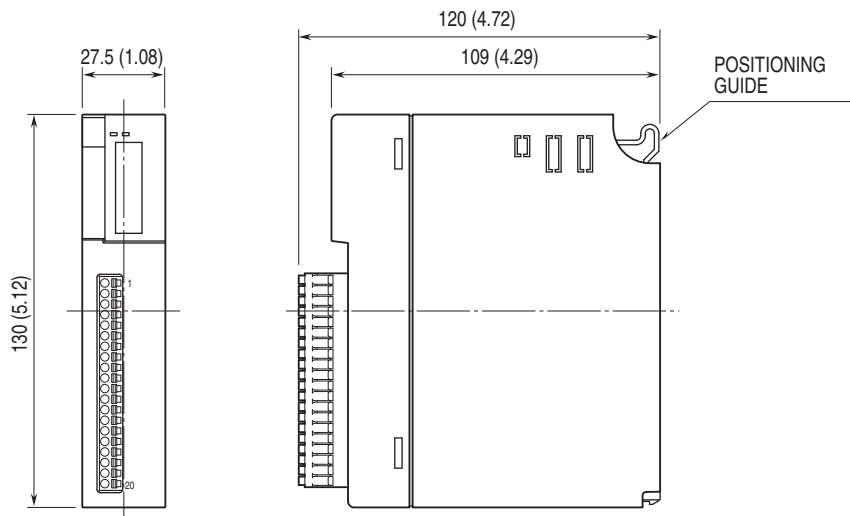
■ FRONT VIEW



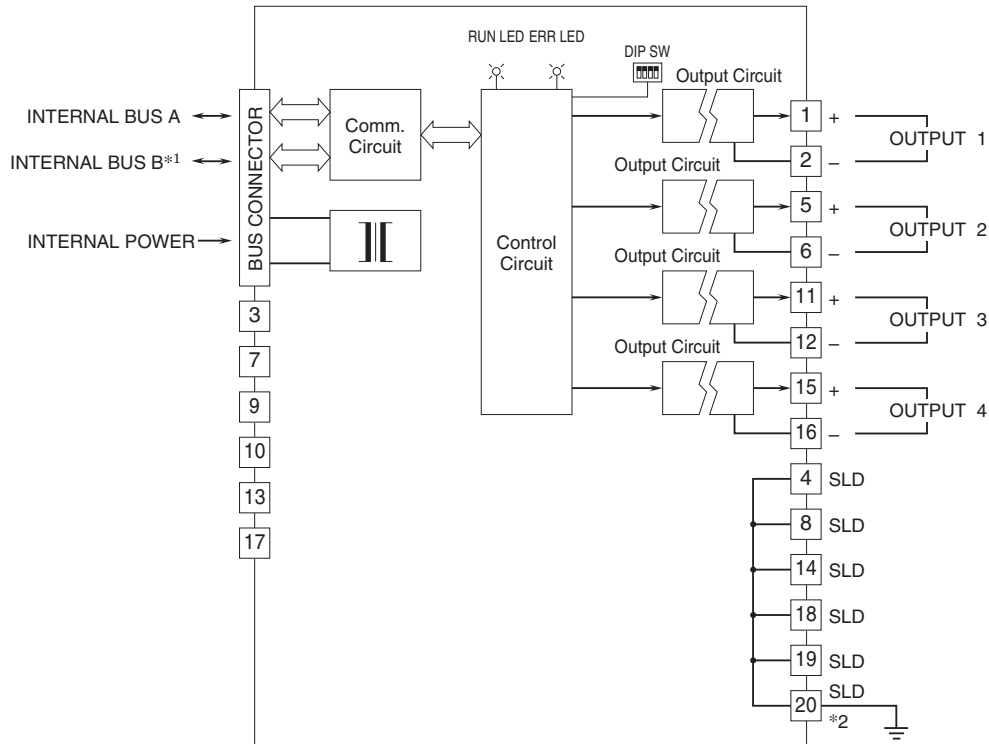
■ SIDE VIEW



EXTERNAL DIMENSIONS & TERMINAL ASSIGNMENTS unit: mm (inch)



SCHEMATIC CIRCUITRY & CONNECTION DIAGRAM



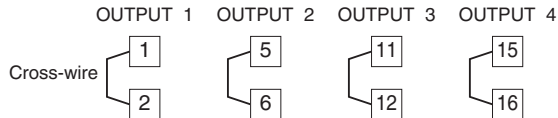
*1. For dual redundant communication.

*2. To use shield line, connect it to SLD terminal and ground the terminal 20.

Note: Do not use void terminals.

• Unused Output Channels

Close across the unused output terminals as shown below.



Unused channels left open are equal to the wire breakdown, which turns the red ERR LED on and sets a burnout flag at the PLC or the host device. Unused channels can be specified and set so on the PC Configurator Software (model: R3CON) without needing to short at the field terminals.

OUTPUT CONNECTOR

PIN No.	FUNCTION
1	I1
2	COM1
3	NC
4	SLD
5	I2
6	COM2
7	NC
8	SLD
9	NC
10	NC
11	I3
12	COM3
13	NC
14	SLD
15	I4
16	COM4
17	NC
18	SLD
19	SLD
20	SLD



Specifications are subject to change without notice.

