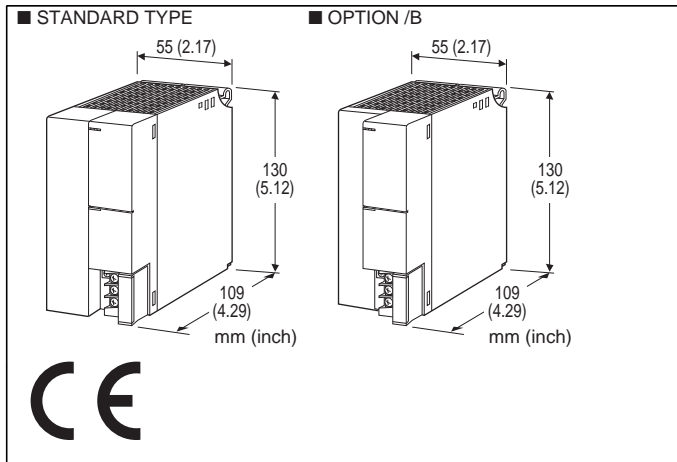


## Remote I/O R3 Series

### POWER SUPPLY MODULE



### MODEL: R3-PS3-[1][2]

#### ORDERING INFORMATION

- Code number: R3-PS3-[1][2]  
Specify a code from below for each [1] and [2].  
(e.g. R3-PS3-K3/CE/B/Q)
- Specify the specification for option code /Q  
(e.g. /C01)

#### [1] POWER INPUT

##### AC Power

**K:** 85 - 132 V AC

(Operational voltage range 85 - 132 V, 47 - 66 Hz)

(CE not available)

**K3:** 100 - 120V AC

(Operational voltage range 85 - 132 V, 47 - 66 Hz)

(Only /CE available)

**L:** 170 - 264 V AC

(Operational voltage range 170 - 264 V, 47 - 66 Hz)

(CE Not available)

**L3:** 200 - 240 V AC

(Operational voltage range 170 - 264 V, 47 - 66 Hz)

(Only /CE available)

##### DC Power

**R:** 24 V DC

(Operational voltage range 24 V  $\pm$ 10 %, ripple 10 %p-p max.)

**P:** 110 V DC

(Operational voltage range 85 - 150 V, ripple 10 %p-p max.)

(CE not available)

#### [2] OPTIONS (multiple selections)

##### Standards & Approvals

blank: Without CE

/CE: CE marking

**Housing (refer to the external dimensions)**

blank: Standard type

/B: Type B

**Other Options**

blank: none

/Q: Option other than the above (specify the specification)

#### SPECIFICATIONS OF OPTION: Q

**COATING (For the detail, refer to M-System's web site.)**

/C01: Silicone coating

/C02: Polyurethane coating

/C03: Rubber coating

#### GENERAL SPECIFICATIONS

##### Connection

• **Internal power output:** Via the Installation Base (model: R3-BSx)

• **Power input, RUN contact output:** M3 separable screw terminal (torque 0.5 N·m)

**Screw terminal:** Nickel-plated steel

**Isolation:** Internal power to power input to RUN contact output to FG

**Power LED:** Green light turns on when the power is supplied.

**RUN contact:** Turns on (closed) while the power is supplied.

##### ■ RUN CONTACT OUTPUT

**Rated load:** 250 V AC @ 0.5 A ( $\cos \phi = 1$ )

30 V DC @ 0.5 A (resistive load)

**Maximum switching voltage:** 250 V AC or 30 V DC

**Maximum switching power:** 250 VA or 150 W

**Minimum load:** 1 V DC @ 1 mA

**Mechanical life:**  $2 \times 10^7$  cycles (rate 300 cycles/min.) When driving an inductive load, external contact protection and noise quenching recommended.

#### INSTALLATION

**Power consumption (Output current: 2.0 A @ 20 V DC)**

• **AC:** Approx. 100 VA

• **DC:** Approx. 50 W or 2.0 A at 24 V

**Output current:** 2.0 A continuous at 20 V DC;

2.2 A for 10 minutes

(Total current continuously consumed at the network modules and I/O modules must be within 2.0 A.)

**Operating temperature:** -10 to +55°C (14 to 131°F)

**Operating humidity:** 30 to 90 %RH (non-condensing)

**Atmosphere:** No corrosive gas or heavy dust

**Mounting:** Installation Base (model: R3-BSx)

**Weight:** 450 g (0.99 lb)



## PERFORMANCE

**Insulation resistance:**  $\geq 100 \text{ M}\Omega$  with 500 V DC

**Dielectric strength:** 2000 V AC @ 1 minute

(internal power to power input to RUN contact output to FG)

## STANDARDS & APPROVALS

**CE conformity:**

EMC Directive (2004/108/EC)

EMI EN 61000-6-4: 2007/A1: 2011

EMS EN 61000-6-2: 2005

Low Voltage Directive (2006/95/EC)

EN 61010-1: 2010

Measurement Category II (RUN contact output)

Installation Category II (power input)

Pollution Degree 2

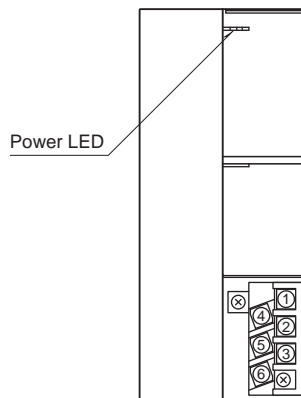
Internal power to power input:

Reinforced insulation (300 V)

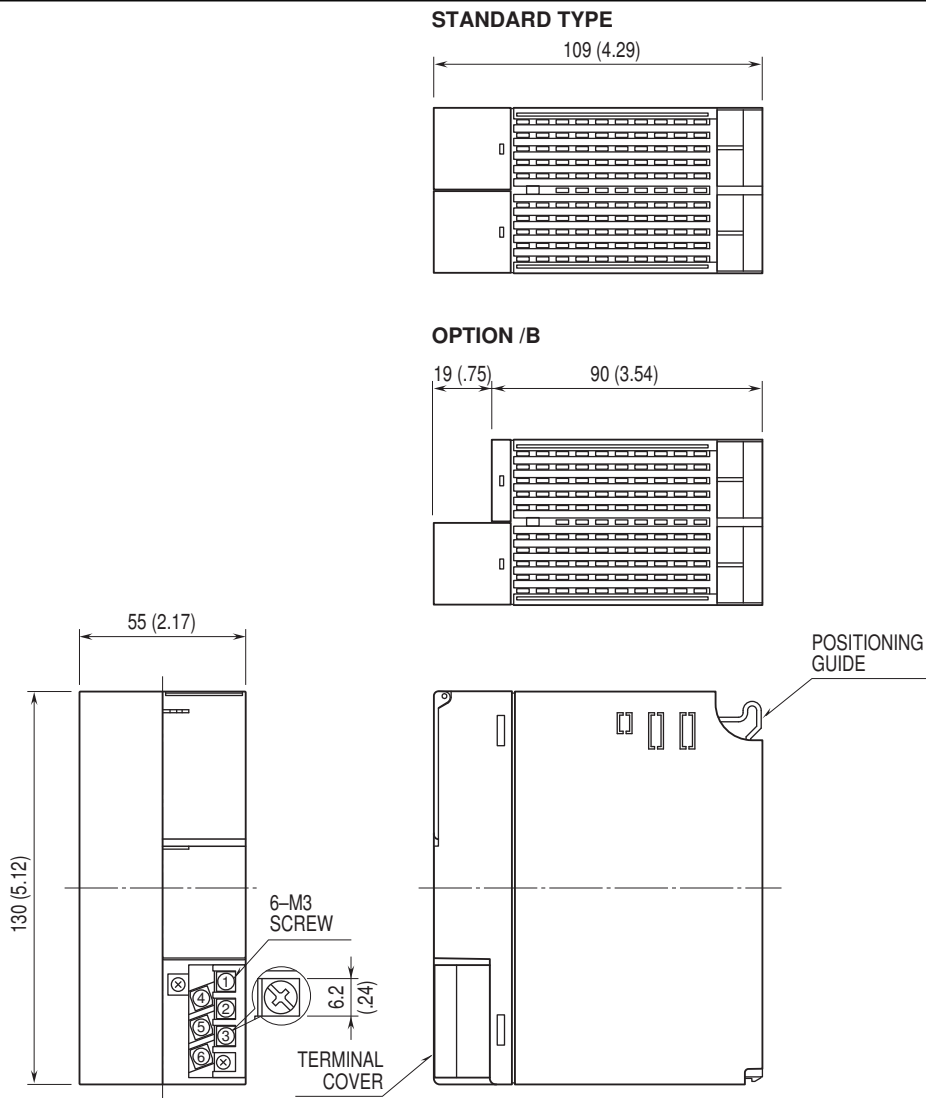
Internal power to RUN contact output:

Basic insulation (300 V)

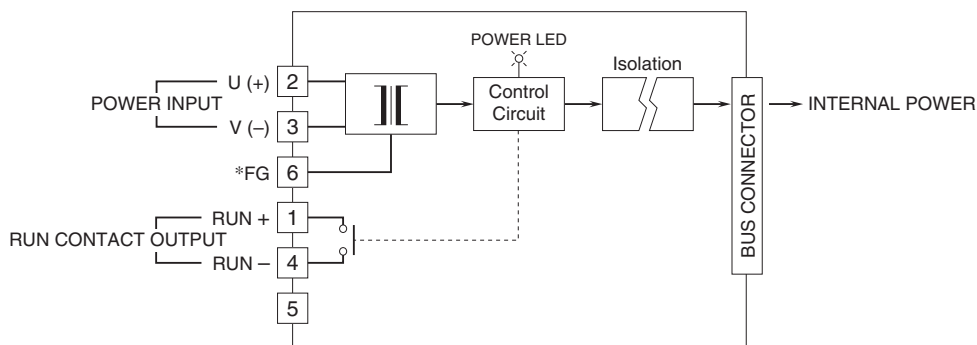
## EXTERNAL VIEW



**EXTERNAL DIMENSIONS & TERMINAL ASSIGNMENTS unit: mm (inch)**



**SCHEMATIC CIRCUITRY & CONNECTION DIAGRAM**



\*In order to improve EMC performance, bond the FG terminal to the ground.  
Caution. This terminal is NOT a protective conductor terminal.



Specifications are subject to change without notice.

