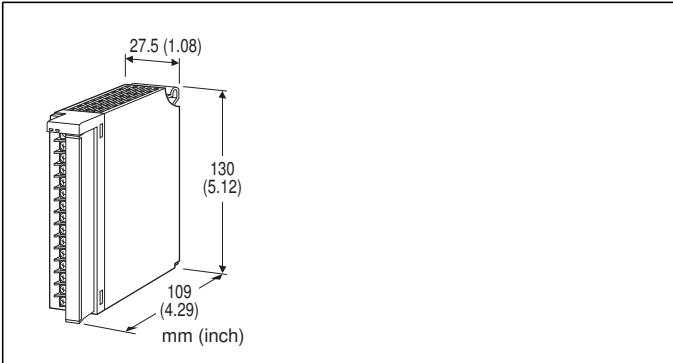


Remote I/O R3 Series

AC CURRENT INPUT MODULE

(8 points, isolated, clamp-on current sensor type CLSA use)



MODEL: R3-CT8A[1][2]

ORDERING INFORMATION

- Code number: R3-CT8A[1][2]
- Specify a code from below for each [1] and [2].
(e.g. R3-CT8AW/H/Q)
- Specify the specification for option code /Q
(e.g. /C01/SET)

NO. OF CHANNELS

8A: 8 channels, Sensor type CLSA

[1] COMMUNICATION MODE

S: Single
W: Dual

[2] OPTIONS (multiple selections)

Frequency

blank: 45 - 65 Hz
/H: 200 Hz - 1.2 kHz

Other Options

blank: none
/Q: Option other than the above (specify the specification)

SPECIFICATIONS OF OPTION: Q (multiple selections)

COATING (For the detail, refer to M-System's web site.)

/C01: Silicone coating
/C02: Polyurethane coating
/C03: Rubber coating

EX-FACTORY SETTING

/SET: Preset according to the Ordering Information Sheet
(No. ESU-8444)

RELATED PRODUCTS

- PC configurator software (model: R3CON)
 - Zero/span adjustments for the conversion data are available using the R3CON. Downloadable at M-System's web site.
 - Clamp-on current sensor (model: CLSA-08)
 - Clamp-on current sensor (model: CLSA-12)
 - Clamp-on current sensor (model: CLSA-30)
 - Clamp-on current sensor (model: CLSA-50)
 - Special cable (model: CLSA-08C)
- The clamp-on current sensor, not included in the product package, must be ordered separately.
Refer to the data sheet for the sensor for more information such as applicable wire diameter.

GENERAL SPECIFICATIONS

Connection

- Internal bus:** Via the Installation Base (model: R3-BSx)
- Input:** M3 separable screw terminal (torque 0.5 N·m)
- Internal power:** Via the Installation Base (model: R3-BSx)
- Screw terminal:** Nickel-plated steel
- Isolation:** Input 1 to input 2 to input 3 to input 4 to input 5 to input 6 to input 7 to input 8 to internal bus or internal power
- Input range:** Selectable with the side DIP SW (per 4 channels)
- Conversion rate:** Selectable with the side DIP SW
- RUN indicator:** Bi-color (red/green) LED;
Red when the bus A operates normally;
Green when the bus B operates normally;
Amber when both buses operate normally.
- ERR indicator:** Bi-color (red/green) LED;
Red with the input abnormality;
Green in normal operating conditions.
- Low-end cutout:** Converted as 0 % for the input below 1 % of range

INPUT SPECIFICATIONS

- Frequency:** 45 - 65 Hz
(200 Hz - 1.2 kHz with Option /H)
- Operational range:** 5 - 115 % of rating
- Max. working voltage:** 440 V AC (primary side)
- Sensor & range:**
CLSA-08: 0 - 80A AC
CLSA-12: 0 - 120A AC
CLSA-30: 0 - 300A AC
CLSA-50: 0 - 500A AC

INSTALLATION

- Operating temperature:** -10 to +55°C (14 to 131°F)
- Operating humidity:** 30 to 90 %RH (non-condensing)
- Atmosphere:** No corrosive gas or heavy dust



Mounting: Installation Base (model: R3-BSx)

Weight: 250 g (0.55 lb)

PERFORMANCE

Conversion accuracy: Refer to the table at the end of this section.

Conversion rate: 160 / 80 / 40 / 20 msec. selectable

Data range: Engineering unit value × 100 (integer)

Data allocation: 8

Current consumption: 100 mA

Temp. coefficient: ±0.015 %/°C (±0.008 %/°F)

Input response time: ≤ 0.5 sec. (0 - 90 %)

Insulation resistance: ≥ 100 MΩ with 500 V DC

Dielectric strength: 1000 V AC @ 1 minute (input 1 to input 2 to input 3 to input 4 to input 5 to input 6 to input 7 to input 8 to internal bus or internal power)

2000 V AC @ 1 minute (power input to FG; isolated on the power supply module)

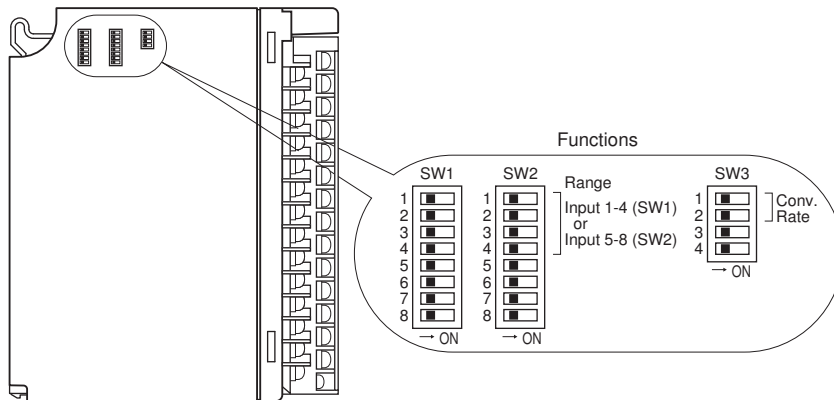
Conversion accuracy

Rate	160 msec.	80 msec.	40 msec.	20 msec.
Accuracy	±0.5%	±0.5%	±1.0%	±2.0%

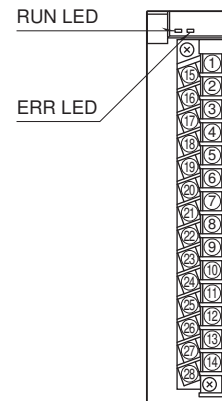
Except the accuracy of the sensor.

EXTERNAL VIEW

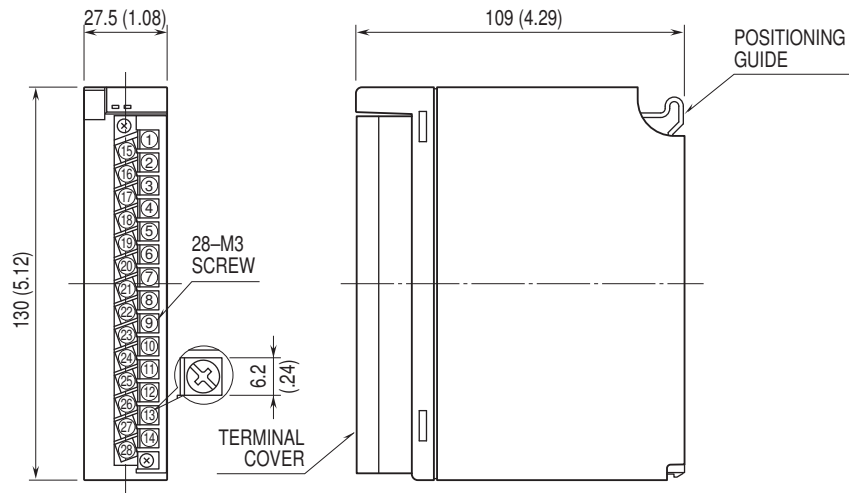
SIDE VIEW



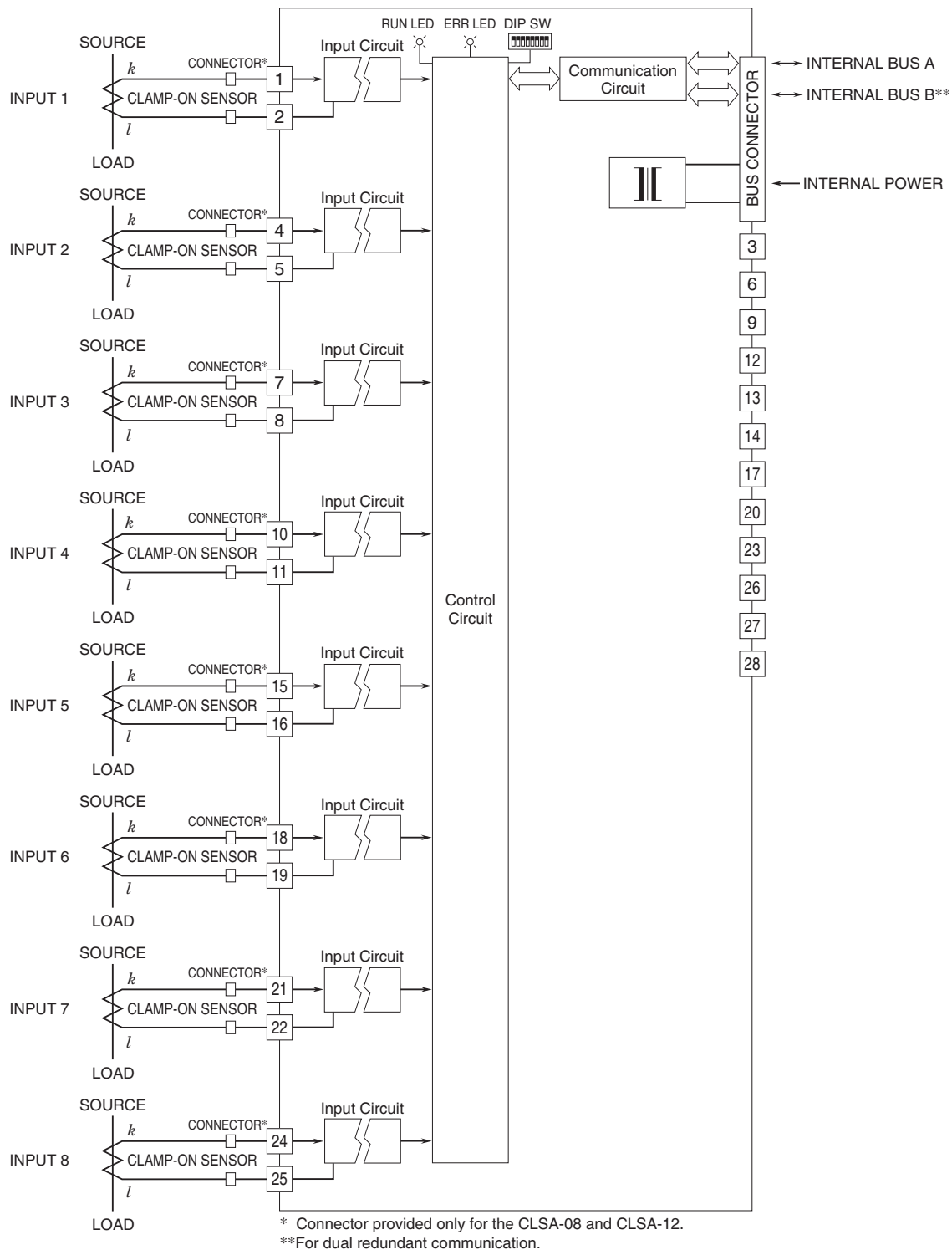
FRONT VIEW



EXTERNAL DIMENSIONS & TERMINAL ASSIGNMENTS unit: mm (inch)



SCHEMATIC CIRCUITRY & CONNECTION DIAGRAM



Specifications are subject to change without notice.