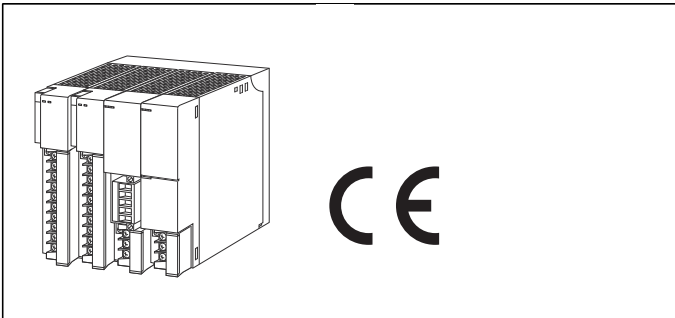


## Remote I/O R3 Series

### INSTALLATION BASE



**MODEL: R3-BS[1][2]**

### ORDERING INFORMATION

- Code number: R3-BS[1][2]  
Specify a code from below for each [1] and [2].  
(e.g. R3-BS10/CE/Q)
- Specify the specification for option code /Q  
(e.g. /C01)

### [1] NUMBER OF SLOTS

- 02: 2 slots
- 04: 4 slots
- 06: 6 slots
- 08: 8 slots
- 10: 10 slots
- 12: 12 slots
- 14: 14 slots
- 16: 16 slots

### [2] OPTIONS (multiple selections)

#### Standards & Approvals

blank: Without CE

/CE: CE marking

#### Other Options

blank: none

/Q: Option other than the above (specify the specification)

### SPECIFICATIONS OF OPTION: Q

#### COATING (For the detail, refer to M-System's web site.)

Only solder side of the PWB is coated.

/C01: Silicone coating

/C02: Polyurethane coating

/C03: Rubber coating

### GENERAL SPECIFICATIONS

#### Capacity:

- R3-BS02: 2 modules
- R3-BS04: 4 modules
- R3-BS06: 6 modules
- R3-BS08: 8 modules
- R3-BS10: 10 modules
- R3-BS12: 12 modules
- R3-BS14: 14 modules
- R3-BS16: 16 modules

### INSTALLATION

**Operating temperature:** -10 to +55°C (14 to 131°F)

**Operating humidity:** 30 to 90 %RH (non-condensing)

**Atmosphere:** No corrosive gas or heavy dust

**Mounting:** Surface or DIN rail

**Weight** (No remote I/O module mounted)

R3-BS02: 100 g (0.22 lb)

R3-BS04: 150 g (0.33 lb)

R3-BS06: 200 g (0.44 lb)

R3-BS08: 250 g (0.55 lb)

R3-BS10: 350 g (0.77 lb)

R3-BS12: 400 g (0.88 lb)

R3-BS14: 450 g (0.99 lb)

R3-BS16: 500 g (1.10 lb)

### STANDARDS & APPROVALS

#### CE conformity:

EMC Directive (2004/108/EC)

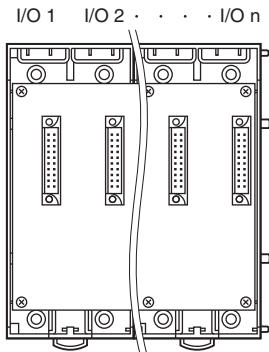
EMI EN 61000-6-4: 2007/A1: 2011

EMS EN 61000-6-2: 2005



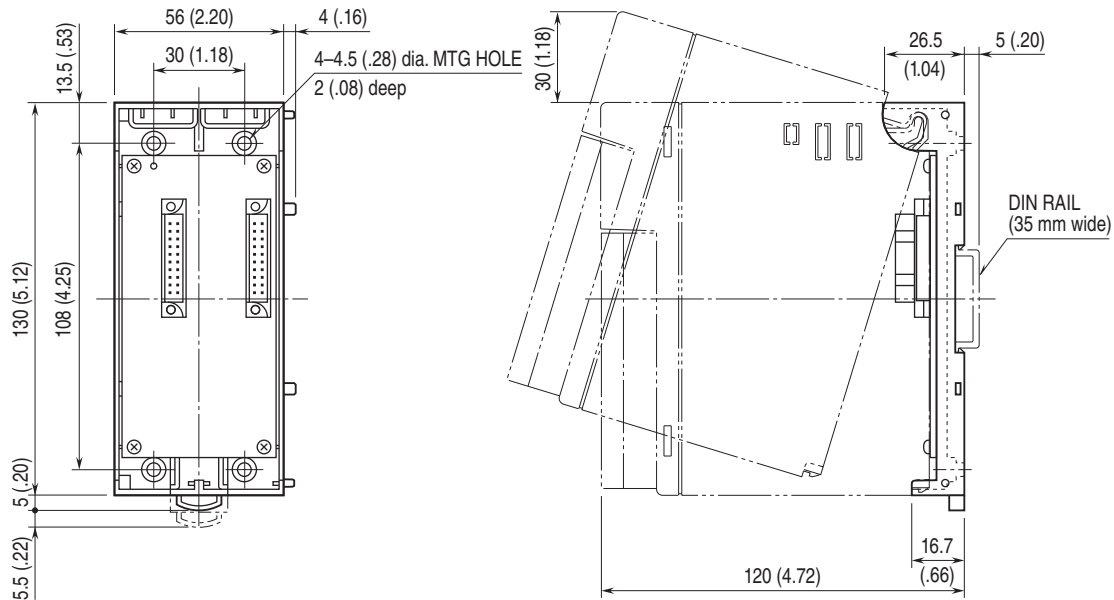
## EXTERNAL VIEW

Mount the I/O Modules from the left end (I/O 1) to the right in order that the Network Module assigns data areas from I/O 1. Network Module(s) and Power Module are mounted basically at the right end though technically they could be mounted in any position.

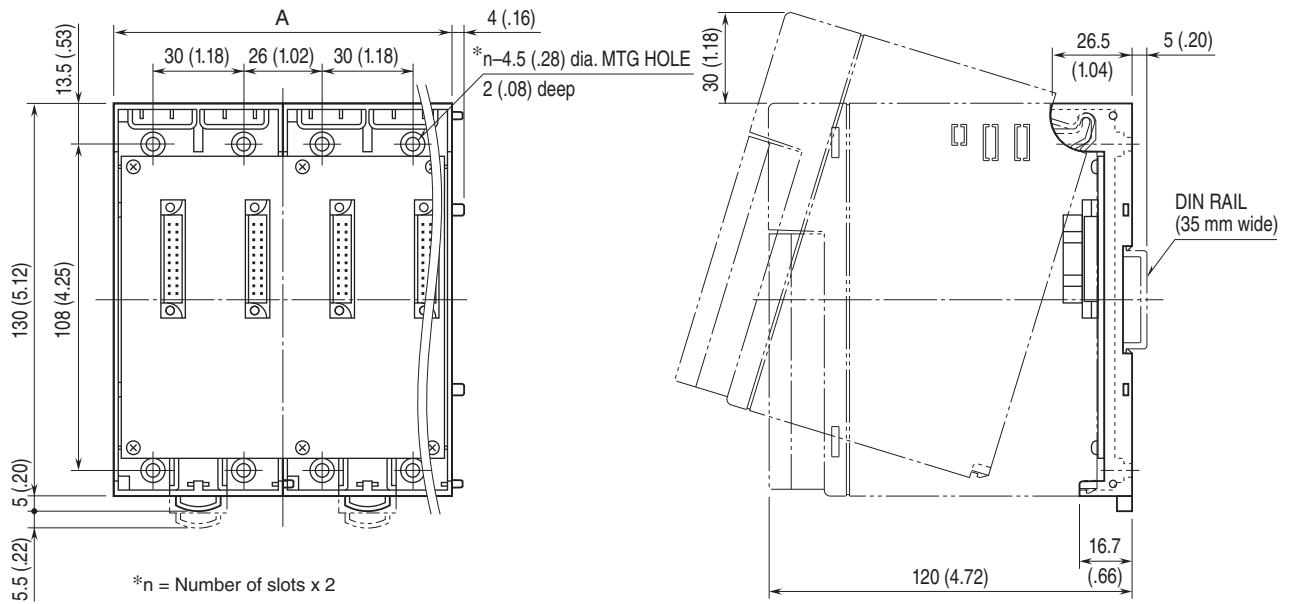


## DIMENSIONS unit: mm (inch)

### ■R3-BS02



## ■R3-BS04, BS06, BS08, BS10, BS12, BS14, BS16

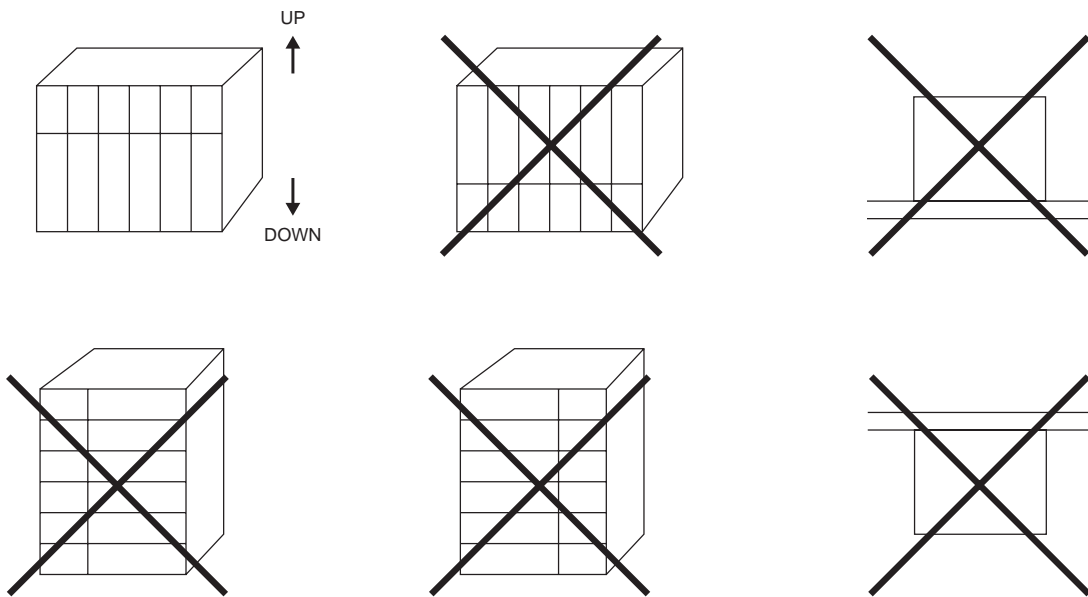


MODEL	SIZE	A
R3-BS04		112 (4.40)
R3-BS06		168 (6.61)
R3-BS08		224 (8.82)
R3-BS10		280 (11.02)
R3-BS12		336 (13.23)
R3-BS14		392 (15.43)
R3-BS16		448 (17.64)

## MOUNTING REQUIREMENTS unit: mm (inch)

### ■ MOUNTING DIRECTION

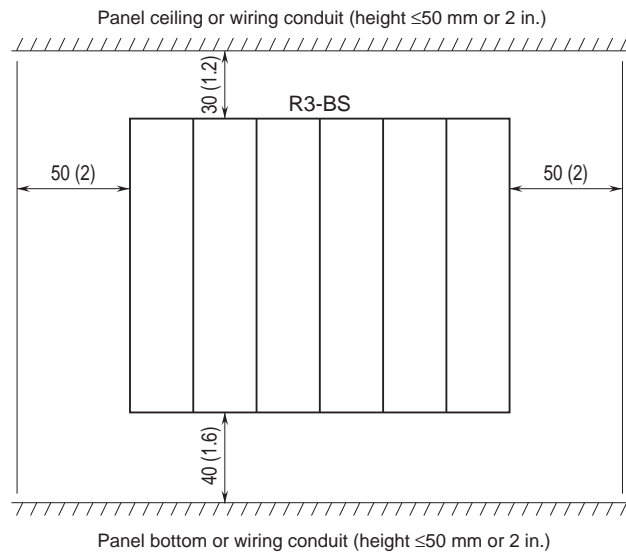
The unit must be mounted on a vertical panel. Mounting in any other angle will cause internal temperature to rise, may shorten the product's life expectation or deteriorate its performance.



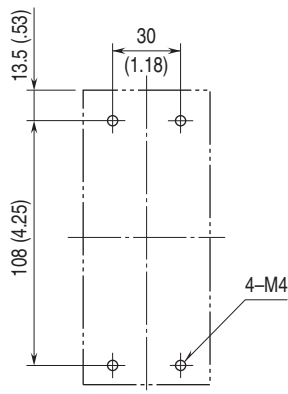
## ■ VENTILATION & MAINTENANCE SPACE

Maintain sufficient ventilation space. Do not mount the unit directly above devices which radiate great heat such as heaters, transformers or resistors.

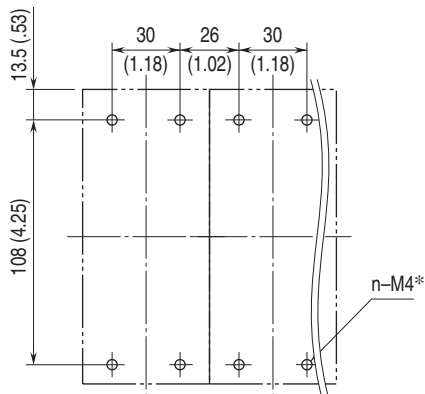
Maintenance space is also required above and below the unit.



## ■ R3-BS02



## ■ R3-BS04, BS06, BS08, BS10, BS12, BS14, BS16



\*n = Number of slots × 2



Specifications are subject to change without notice.