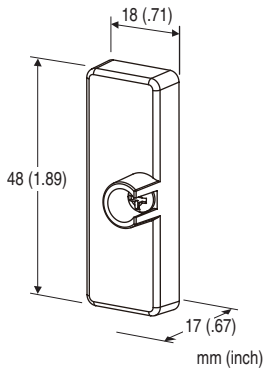


Dual Output Super-mini Signal Conditioners Pico-M Series

SOCKET COVER, M8BS USE

Functions & Features

- Socket cover for empty slots of the installation base (model: M8BSx)



MODEL: P-M8

ORDERING INFORMATION

- Code number: P-M8

GENERAL SPECIFICATIONS

Mounting screw: M3 screw attached (torque 0.3 N·m)

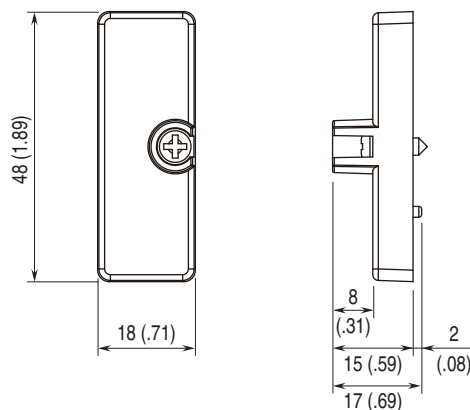
Housing material: Flame-resistant resin (black)

INSTALLATION

Mounting: Installation Base (model: M8BSx)

Weight: 5 g (0.18 oz)

DIMENSIONS unit: mm (inch)



Specifications are subject to change without notice.



幸託有限公司
XIN TOP CORPORATION

TEL : (02)2598-1199
FAX : (02)2596-2331

E-mail : info@xintop.com
Website : www.xintop.com