

Plug-in Signal Conditioners MX-UNIT

THERMOCOUPLE TRANSMITTER

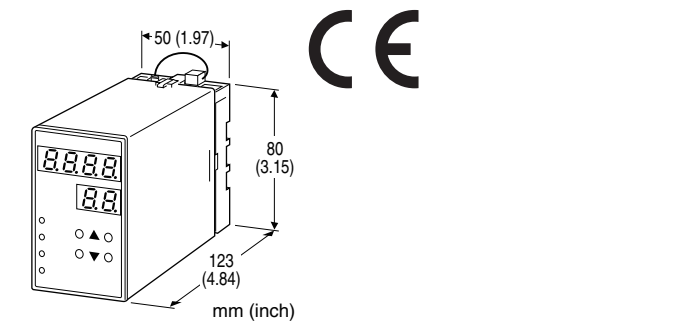
(front configurable)

Functions & Features

- Converts a thermocouple input into a linearized process signal
- Field-programmable T/C type, temperature and output range
- Easy programming via front UP-DOWN keys with a help of 4-digit and 2-digit displays
- I/O signal inversion feature
- Isolation up to 2000 V AC
- Loop test output
- High-density mounting

Typical Applications

- Isolation between control room and field instrumentation
- Ideal for quick spare part



MODEL: MXT-[1]-[2][3]

ORDERING INFORMATION

- Code number: MXT-[1]-[2][3]
- Specify a code from below for each [1] through [3]. (e.g. MXT-V1-M2/Q)
- Specify the specification for option code /Q (e.g. /SET)

[1] OUTPUT

Current

Z1: Range 0 - 20 mA DC (Load resistance 600Ω max.)

Voltage

V1: Range -1 - +1 V DC (Load resistance 1000Ω min.)
 V2: Range -10 - +10 V DC (Load resistance 10kΩ min.)

[2] POWER INPUT

AC Power

M2: 100 - 240 V AC (Operational voltage range 85 - 264 V, 47 - 66 Hz)

DC Power

R: 24 V DC
 (Operational voltage range 24 V ±10 %, ripple 10 %p-p max.)
 P: 110 V DC
 (Operational voltage range 85 - 150 V, ripple 10 %p-p max.)

[3] OPTIONS

blank: none
 /Q: With options (specify the specification)

SPECIFICATIONS OF OPTION: Q

EX-FACTORY SETTING

/SET: Preset according to the Ordering Information Sheet (No. ESU-1712)

GENERAL SPECIFICATIONS

- Construction:** Plug-in
 - Connection:** M3.5 screw terminals
 - Housing material:** Flame-resistant resin (black)
 - Isolation:** Input to output to power
 - DISPLAY**
 - LED:** 8 mm (.31") 7 segment, red
 - Number of display digits:** 4 digits for DATA display; 2 digits for ITEM display
 - PV indication:** Input signal in engineering unit
 - Overrange indication:** LEDs blinking
 - Burnout indication:** LEDs blinking and the PLC turns on.
 - Power saving mode:** Displays turn off if the keys are untouched for a preset time period
 - LEDs:** Red; the PL1 turns on with negative polarity and the PL2 with programming error.
 - Programming:** Via front keys
 - Input Type
 - Moving average
 - Burnout
 - etc.
- For detailed information, refer to the instruction manual.

INPUT SPECIFICATIONS

Input resistance: 1 MΩ min.
Burnout sensing: ≤ 0.2 μA
Default setting: K (CA) 0 - 100°C



Temperature range

T/C	USABLE RANGE		CONFORMANCE LIMIT	
	°C	°F	°C	°F
(PR)*	-50 to +1860	-58 to +3380	150	302
K (CA)*	-270 to +1470	-454 to +2678	-200	-328
E (CRC)*	-270 to +1020	-454 to +1868	-200	-328
J (IC)	-260 to +1300	-436 to +2372	-260	-436
T (CC)*	-270 to +500	-454 to +932	-200	-328
B (RH)*	20 to 1920	68 to 3488	450	842
R*	-100 to +1860	-148 to +3380	150	302
S*	-100 to +1860	-148 to +3380	150	302
C (WRe 5-26)	-50 to +2410	-58 to +4370	-50	-58
N*	-270 to +1400	-454 to +2552	-200	-328
U	-250 to +600	-418 to +1112	-250	-418
L	-250 to +1000	-418 to +1832	-250	-418
P (Platinel II)	-50 to +1500	-58 to +2732	-50	-58

* For temperature ranges near the lower limit of usable range, the transmitter may not satisfy the described accuracy.

Note 1: Set the upper range temperature with a larger value than the lower range temperature value.

Note 2: Inverted output is available with the configuration.

Note 3: Operational range is of -15 to +115% or in the usable range as indicated above.

OUTPUT SPECIFICATIONS

• **DC Current:** 0.0 - 20.0 mA DC

Operational range: 0.0 - 24.0 mA DC

Minimum increment: 0.1 mA

Default setting: 4.0 - 20.0 mA DC

• **DC Voltage**

Code V1: -1.00 - +1.00 V DC

Operational range: -1.15 - +1.15 V DC

Minimum increment: 10 mV

Code V2: -10.0 - +10.0 V DC

Operational range: -11.5 - +11.5 V DC

Minimum increment: 100 mV

Note: Set to the 100 % output with a larger value than the 0 % output value.

Default setting:

Code V1: -1.00 - +1.00 V DC

Code V2: -10.0 - +10.0 V DC

INSTALLATION

Power Consumption

• **AC:** Approx. 6 VA

• **DC:** Approx. 3.5 W (100 mA at 24 V)

Operating temperature: -5 to +55°C (23 to 131°F)

Operating humidity: 30 to 90 %RH (non-condensing)

Mounting: Surface or DIN rail

Weight: 450 g (0.99 lbs)

PERFORMANCE

Accuracy: Input + output

Input: $\pm 0.3^{\circ}\text{C}$ ($\pm 0.54^{\circ}\text{F}$)

Output: $\pm 0.05\%$

Min. span required to ensure the accuracy:

20 % of the nominal I/O range

Display accuracy: Input accuracy ± 1 digit

Cold junction compensation error: $\pm 0.5^{\circ}\text{C}$ or $\pm 0.9^{\circ}\text{F}$

(at $20^{\circ}\text{C} \pm 10^{\circ}\text{C}$ or $68^{\circ}\text{F} \pm 18^{\circ}\text{F}$)

Temp. coefficient: $\pm 0.015\%/^{\circ}\text{C}$ ($\pm 0.008\%/^{\circ}\text{F}$)

Response time: ≤ 0.5 sec. (0 - 90 %)

Burnout response time: ≤ 2 sec.

Line voltage effect: $\pm 0.1\%$ over voltage range

Insulation resistance: $\geq 100\ \text{M}\Omega$ with 500 V DC

Dielectric strength: 2000 V AC @1 minute (input to output to power to ground)

STANDARDS & APPROVALS

CE conformity:

EMC Directive (2004/108/EC)

EMI EN 61000-6-4: 2007

EMS EN 61000-6-2: 2005

Low Voltage Directive (2006/95/EC)

EN 61010-1: 2001

Installation Category II

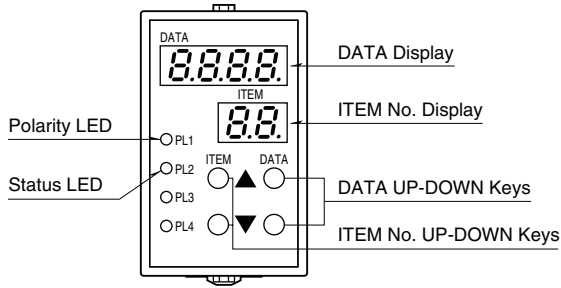
Pollution Degree 2

Input or output to power: Reinforced insulation (300 V)

Input to output: Basic insulation (300 V)

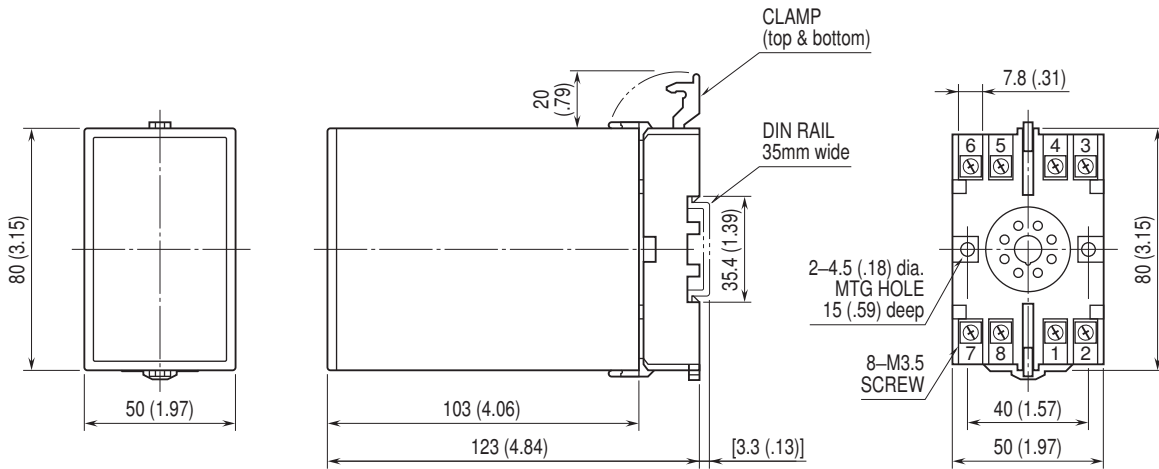


EXTERNAL VIEW



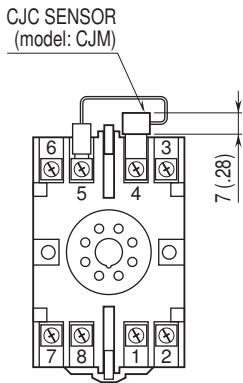
Refer to the instruction manual for detailed procedures.

DIMENSIONS unit: mm (inch)

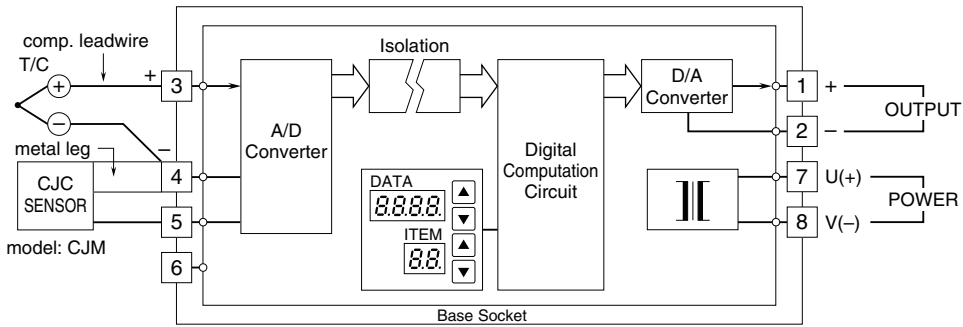


• When mounting, no extra space is needed between units.

TERMINAL ASSIGNMENTS unit: mm (inch)



SCHEMATIC CIRCUITRY & CONNECTION DIAGRAM



Specifications are subject to change without notice.

