

MOUNTING BLOCK

Functions & Features

- Air header for pneumatic supply used with I/P Transducers models HVP, HVPN and P-UNIT series transducers
- Connected to the base sockets of each transducer
- Single unit use and multiple units use

MODEL: MB-[1][2]

ORDERING INFORMATION

- Code number: MB-[1][2]

Specify a code from below for each [1] and [2].

(e.g. MB-16/P83)

[1] CAPACITY

01: 1 unit (HVP or HVPN)

P1: 1 unit (P-UNIT)

08: 8 units (4 units with P-UNIT)

16: 16 units (8 units with P-UNIT)

[2] OPTIONS

Pneumatic Connection

blank: Rc 1/4 for MB-01/-P1 or Rc 3/8 for MB-08/-16 standard

/P7: 1/4" NPT fitting for MB-01/-P1

/P83: 3/8" NPT fitting for MB-08/-16

GENERAL SPECIFICATIONS

Material

Manifold: Extruded aluminum

Coating: Alumite

Gascket: NBR

INSTALLATION

Weight (excluding fittings)

MB-01: 150 g (0.33 lbs)

MB-P1: 250 g (0.55 lbs)

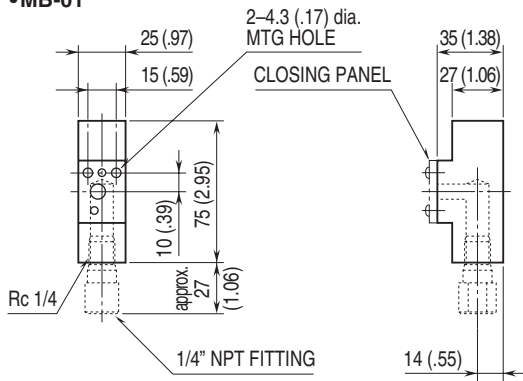
MB-08: 1.4 kg (3.1 lbs)

MB-16: 2.7 kg (6.0 lbs)

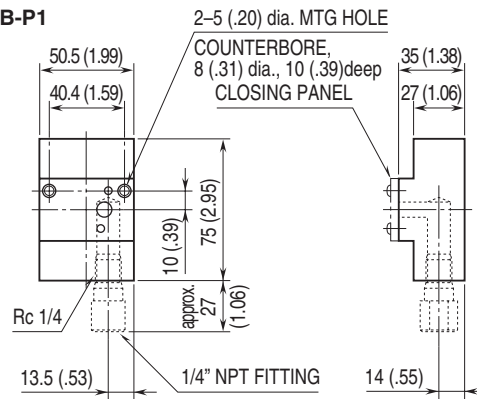


DIMENSIONS unit: mm (inch)

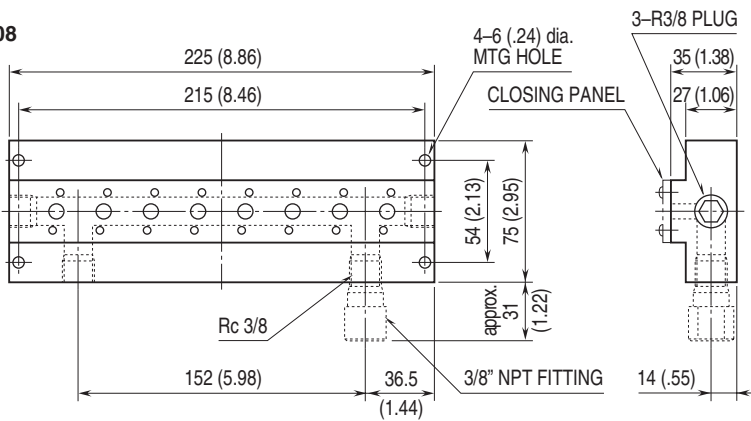
•MB-01



•MB-P1



•MB-08



•MB-16

