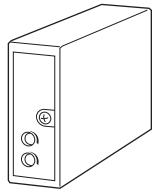


## Dual Output Super-mini Signal Conditioners Pico-M Series

### CONTROL OUTPUT ISOLATOR

#### Functions & Features

- Providing an isolated DC output at the Installation Base terminals
- Detecting opencircuit at the output loop
- Space-saving, easy-to-maintain, multi-channel installation base



### MODEL: M8YC-AA-R[1]

### ORDERING INFORMATION

- Code number: M8YC-AA-R[1]  
Specify a code from below for [1].  
(e.g. M8YC-AA-R/Q)
- Specify the specification for option code /Q  
(e.g. /C01 /V01)

### INPUT

#### Current

A: 4 - 20 mA DC (Input resistance 250 Ω)

### OUTPUT

#### Current

A: 4 - 20 mA DC (Load resistance 550 Ω max.)

### POWER INPUT

#### DC Power

R: 24 V DC

(Operational voltage range 24 V ±10 %, ripple 10 %p-p max.)

### [1] OPTIONS

blank: none

/Q: With options (specify the specification)

### SPECIFICATIONS OF OPTION: Q (multiple selections)

#### COATING (For the detail, refer to M-System's web site.)

/C01: Silicone coating

/C02: Polyurethane coating

/C03: Rubber coating

### ADJUSTMENT

/V01: Multi-turn fine adjustment

### RELATED PRODUCTS

- Installation Base or Single Mount Base Socket (model: M8BSx)

This unit must be mounted on dedicated base or socket except Model M8BS2 base.

(The opencircuit detection is canceled, when mounted on M8BS-1.)

### GENERAL SPECIFICATIONS

**Construction:** Plug-in

**Mounting screw:** M3 screw (torque 0.3 N·m)

**Housing material:** Flame-resistant resin (black)

**Power supply:** Via the Installation Base terminals (model: M8BSx)

(Model M8BS2 is not usable for the M8YC.)

**Isolation:** Input to output to power

**Zero adjustment:** -2 to +2 % (front)

**Span adjustment:** 98 to 102 % (front)

**Opencircuit detection:** input current 0 mA when the output loop is open.

### INPUT SPECIFICATIONS

- DC Current: Input resistor incorporated

### OUTPUT SPECIFICATIONS

The output goes below 0 % when the input loop is open.

### INSTALLATION

**Current consumption:** Approx. 50 mA

**Operating temperature:** 0 to 55°C (32 to 131°F)

**Operating humidity:** 30 to 95 %RH (non-condensing)

**Mounting:** Installation Base (model: M8BSx)

(Model M8BS2 is not usable for the M8YC.)

**Weight:** 70 g (2.5 oz)

### PERFORMANCE in percentage of span

**Accuracy:** ±0.1 %

**Temp. coefficient:** ±0.02 %/°C (±0.01 %/°F)

**Response time:** ≤ 15 msec. (0 - 90 %)

**Line voltage effect:** ±0.1 % over voltage range

**Insulation resistance:** ≥ 100 MΩ with 500 V DC

**Dielectric strength:**

1500 V AC @1 minute(input or power to output to ground)

500 V AC @1 minute(input to power)

**SWC test:** ANSI/IEEE-C37.90.1-1989



幸託有限公司

XIN TOP CORPORATION

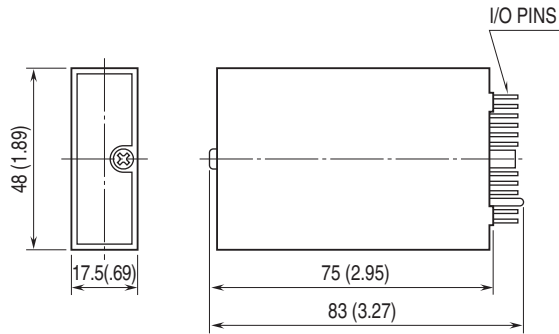
TEL : (02)2598-1199

FAX : (02)2596-2331

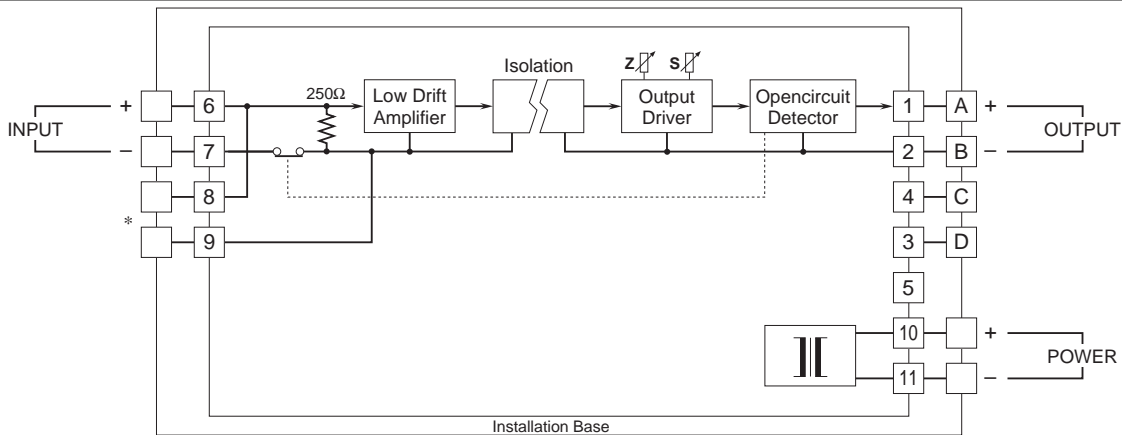
E-mail : info@xintop.com

Website : www.xintop.com


**DIMENSIONS unit: mm (inch)**



**SCHEMATIC CIRCUITRY & CONNECTION DIAGRAM**



\*Use the terminals 6 – 7 for input. The terminals 8 – 9 can be used but the opencircuit detection is canceled.

 Specifications are subject to change without notice.

