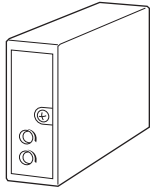


Dual Output Super-mini Signal Conditioners Pico-M Series

PT CONVERTER

Functions & Features

- Converting an alternating voltage from a voltage transformer into a standard process signal
- True RMS sensing
- Space-saving, easy-to-maintain, multi-channel installation base



MODEL: M8PT-[1][2]-R[3]

ORDERING INFORMATION

- Code number: M8PT-[1][2]-R[3]
Specify a code from below for each [1] trough [3].
(e.g. M8PT-16A-R/Q)
- Specify the specification for option code /Q
(e.g. /C01/V01)

[1] INPUT

Voltage

- 1: 0 - 110 V AC
- 2: 0 - 220 V AC
- 5: 0 - 150 V AC

[2] OUTPUT 1 / OUTPUT 2

- 6A: 1 - 5 V DC (Load resistance 2500 Ω min.)
/ 4 - 20 mA DC (Load resistance 300 Ω max.)
- 44: 0 - 10 V DC (Load Resistance 5000 Ω min.)
/ 0 - 10 V DC (Load Resistance 5000 Ω min.)
- 55: 0 - 5 V DC (Load resistance 2500 Ω min.)
/ 0 - 5 V DC (Load resistance 2500 Ω min.)
- 66: 1 - 5 V DC (Load resistance 2500 Ω min.)
/ 1 - 5 V DC (Load resistance 2500 Ω min.)

POWER INPUT

DC Power

- R: 24 V DC
(Operational voltage range 24 V \pm 10 %, ripple 10 %p-p max.)

[3] OPTIONS

- blank: none
- /Q: With options (specify the specification)

SPECIFICATIONS OF OPTION: Q (multiple selections)

COATING (For the detail, refer to M-System's web site.)

- /C01: Silicone coating
- /C02: Polyurethane coating
- /C03: Rubber coating

ADJUSTMENT

- /V01: Multi-turn fine adjustment

RELATED PRODUCTS

- Installation Base or Single Mount Base Socket (model: M8BSx)
This unit must be mounted on dedicated base or socket.

GENERAL SPECIFICATIONS

- Construction:** Plug-in
- Mounting screw:** M3 screw (torque 0.3 N·m)
- Housing material:** Flame-resistant resin (black)
- Power supply:** Via the Installation Base terminals (model: M8BSx)
- Isolation:** Input to output 1 to output 2 to power
- Input waveform**
RMS sensing: Up to 15 % of 3rd harmonic content
- Zero adjustment:** -2 to +2 % (front)
- Span adjustment:** 98 to 102 % (front)

INPUT SPECIFICATIONS

- Frequency:** 50 or 60 Hz
- Input burden:** 1 VA max.
- Overload capacity:** 200 % of rating for 1 minute, 120 % continuous
- Operational range:** 0 - 120 % of rating

INSTALLATION

- Current consumption:** Approx. 30 mA (50 mA for current output)
- Operating temperature:** 0 to 55°C (32 to 131°F)
- Operating humidity:** 30 to 95 %RH (non-condensing)
- Mounting:** Installation Base (model: M8BSx)
- Weight:** 70 g (2.5 oz)

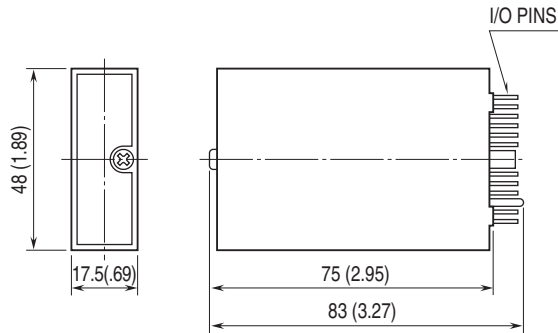
PERFORMANCE in percentage of span

- Accuracy:** \pm 0.25 %
- Temp. coefficient:** \pm 0.02 %/°C (\pm 0.01 %/°F)
- Response time:** \leq 0.25 sec. (0 - 90 %)
- Ripple:** 0.5 %p-p max.

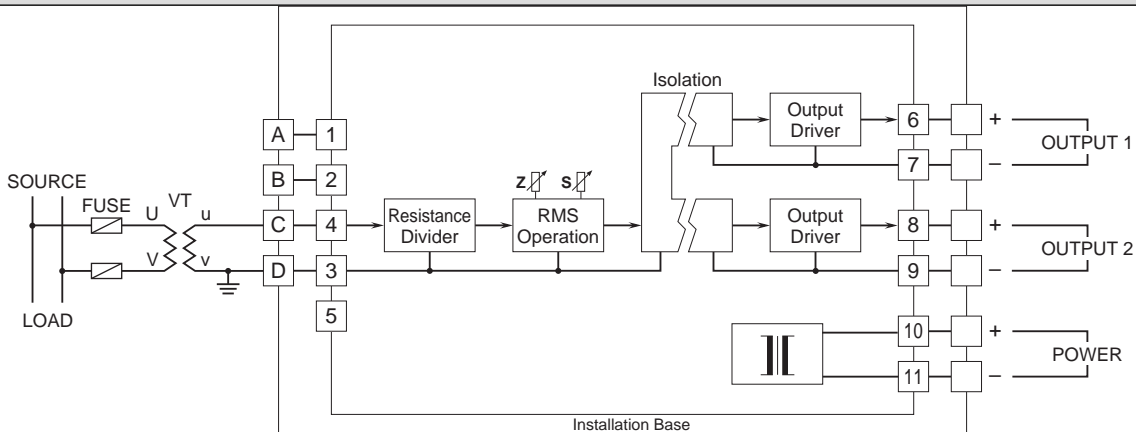


Line voltage effect: $\pm 0.1\%$ over voltage range
Insulation resistance: $\geq 100\text{ M}\Omega$ with 500 V DC
Dielectric strength:
 1500 V AC @1 minute (input to output 1 or output 2 or power to ground)
 500 V AC @1 minute (output 1 to output 2 to power)
SWC test: ANSI/IEEE-C37.90.1-1989

DIMENSIONS unit: mm (inch)



SCHEMATIC CIRCUITRY & CONNECTION DIAGRAM



Specifications are subject to change without notice.

