

Dual Output Super-mini Signal Conditioners Pico-M Series

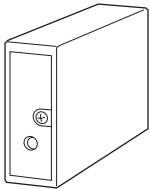
Weight: 30 g (1.1 oz)

EXTENDER MODULE

(with receiving resistor switch)

Functions & Features

- Connecting the input terminals and the connector
- 250 Ω receiving resistor can be selected for converting current into voltage



PERFORMANCE

Accuracy: $\pm 0.1\%$ (accuracy of the receiving resistor)

Temp. coefficient: $\pm 0.003\%/^{\circ}\text{C}$ ($\pm 0.002\%/^{\circ}\text{F}$) (temp. coefficient of the receiving resistor)

Dielectric strength: 1500 V AC @1 minute (input or output to ground)

MODEL: M8BW[1]

ORDERING INFORMATION

- Code number: M8BW[1]

Specify a code from below for [1].

(e.g. M8W/Q)

- Specify the specification for option code /Q
(e.g. /C01)

[1] OPTIONS

blank: none

/Q: With options (specify the specification)

SPECIFICATIONS OF OPTION: Q

COATING (For the detail, refer to M-System's web site.)

/C01: Silicone coating

/C02: Polyurethane coating

/C03: Rubber coating

GENERAL SPECIFICATIONS

Construction: Plug-in

Mounting screw: M3 screw (torque 0.3 N·m)

Housing material: Flame-resistant resin (black)

INPUT & OUTPUT

Receiving resistor: 250 Ω (2 W)

Allowable excitation voltage: 10 V

INSTALLATION

Operating temperature: 0 to 55°C (32 to 131°F)

Operating humidity: 30 to 95 %RH (non-condensing)

Mounting: Installation Base (model: M8BSx)



幸託有限公司
XIN TOP CORPORATION

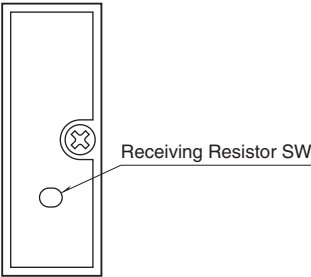
TEL : (02)2598-1199

FAX : (02)2596-2331

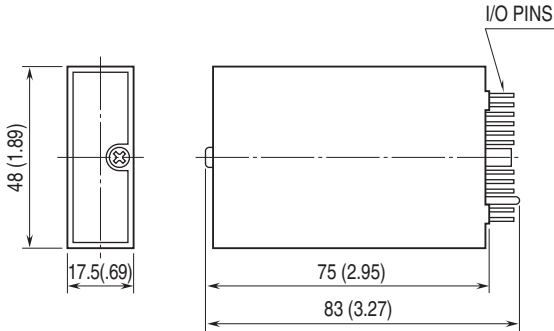
E-mail : info@xintop.com

Website : www.xintop.com

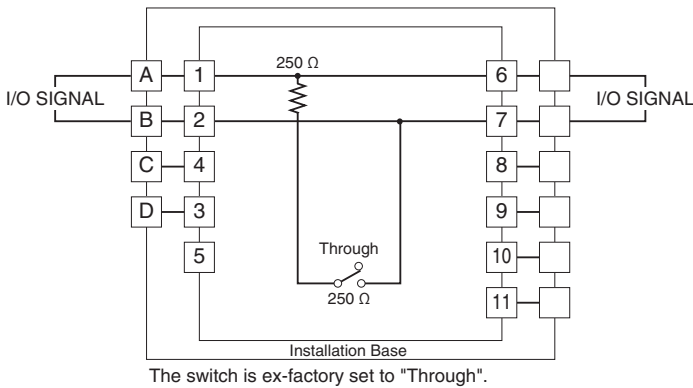
FRONT VIEW



DIMENSIONS unit: mm (inch)



SCHEMATIC CIRCUITRY & CONNECTION DIAGRAM



Specifications are subject to change without notice.

