

Dual Output Super-mini Signal Conditioners Pico-M Series

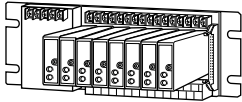
/C02: Polyurethane coating

/C03: Rubber coating

INSTALLATION BASE (8 positions)

Functions and Features

- Installation Base (8 positions) dedicated for Dual Output Super-mini Signal Conditioners Pico-M
- Saving wiring work within an instrumentation panel
- Power supplied through printed wiring on the base
- Connection: Output 1 with M3.5 screw terminals, Output 2 with connector



MODEL: M8BSC-8U1-[1][2]

ORDERING INFORMATION

- Code number: M8BSC-8U1-[1][2]
Specify a code from below for each [1] and [2].
(e.g. M8BSC-8U1-KK/Q)
- Specify the specification for option code /Q
(e.g. /C01)

CONNECTION (output 1/output 2)

U1: Screw terminal block / Fujitsu FCN type connector

[1] POWER SUPPLY UNIT

AC Power

K: 85 - 132 V AC; single power source

(Operational voltage range 85 - 132 V, 47 - 63 Hz)

KK: 85 - 132 V AC; two independent power sources

(Operational voltage range 85 - 132 V, 47 - 63 Hz)

L: 170 - 264 V AC; single power source

(Operational voltage range 170 - 264 V, 47 - 63 Hz)

DC Power

R: 24 V DC; no power supply unit

(Operational voltage range 24 V \pm 10 %, ripple 10 %p-p max.)

Redundant power supplies are recommended for long time

use without interruption.

[2] OPTIONS

Other Options

blank: none

/Q: With options (specify the specification)

SPECIFICATIONS OF OPTION: Q

COATING (For the detail, refer to M-System's web site.)

Only solder side of the main PWB is coated.

/C01: Silicone coating

GENERAL SPECIFICATIONS

Capacity: 8 positions

Connection

Power input: M3.5 screw terminals (M3 screw terminals for AC power input) (torque 0.8 N·m)

Input and output: M3.5 screw terminals (torque 0.8 N·m)

Screw terminal: Nickel-plated steel

Isolation: Input to output 1 to output 2 to power to FG

Power indicator LED: ON with normal voltage level

INSTALLATION

Power Consumption

•AC: 130 VA min.

•DC: 0.7 A min.

Operating temperature: 0 to 55°C (32 to 131°F)

0 to 50°C (32 to 122°F) for AC power

Operating humidity: 30 to 90 %RH (non-condensing)

Mounting: Surface

Weight:

0.8 kg (1.8 lb) for power code K, L

0.9 kg (2.0 lb) for power code KK

0.7 kg (1.5 lb) for power code R

PERFORMANCE

Insulation resistance: \geq 100 M Ω with 500 V DC

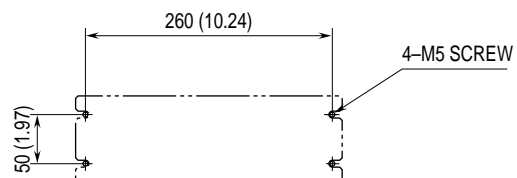
Dielectric strength:

1500 V AC @1 minute (input to output 1 or output 2 or power to FG)

500 V AC @1 minute (output 1 to output 2 to power)

500 V AC @1 minute (output 1 or output 2 to FG for AC power input)

MOUNTING REQUIREMENTS mm (inch)



CONNECTION DIAGRAM

■ MODEL: M8BSC-8U1 (M3.5 screw terminals / Fujitsu FCN connector)

● Connector Pin Assignment

I/O Connector: Fujitsu FCN-364 P040-AU

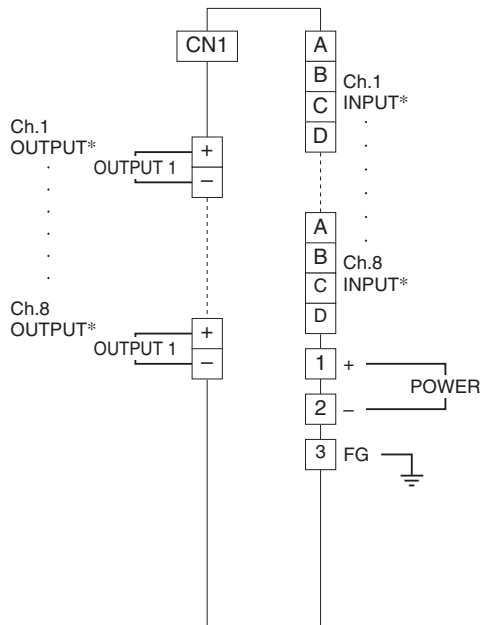
CN1: Output Signal 2 or Input Signal

PIN NO.	ASSIGNMENT	PIN NO.	ASSIGNMENT
A1	ch.1 +	B1	ch.1 -
A2	ch.2 +	B2	ch.2 -
A3	ch.3 +	B3	ch.3 -
A4	ch.4 +	B4	ch.4 -
A5	ch.5 +	B5	ch.5 -
A6	ch.6 +	B6	ch.6 -
A7	ch.7 +	B7	ch.7 -
A8	ch.8 +	B8	ch.8 -

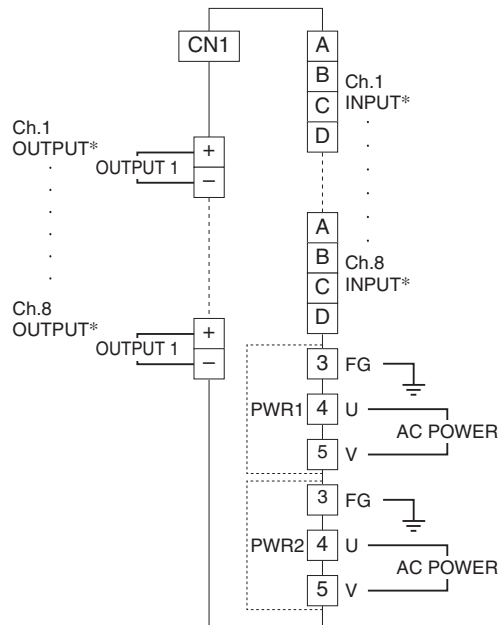
A9 - A20, B9 - B20 are not in use

■ CONNECTION DIAGRAM

■ DC Power Supply



■ Single Power Supply, Two Independent Power Sources



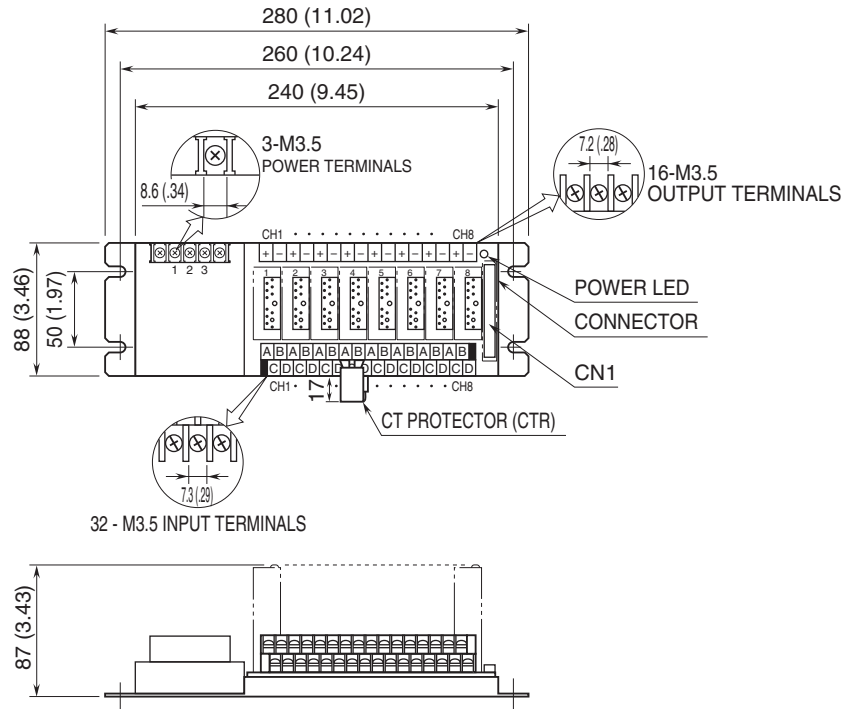
PWR2 provided only for two independent power sources.

*The input and output terminals are reversed for model M8YSx.
Use either Output 1 or Output 2 (connector) terminal for the input.

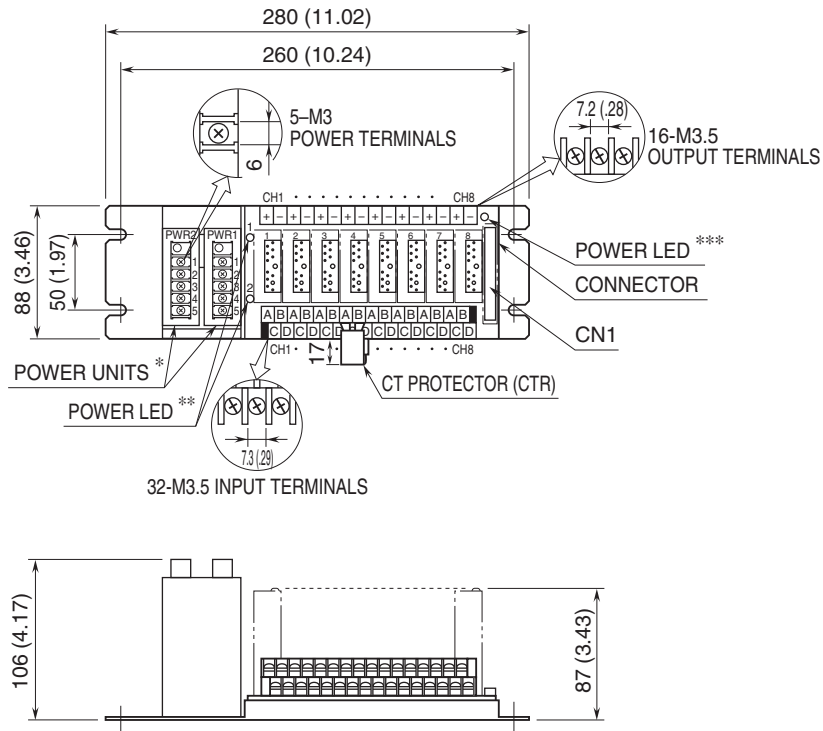


DIMENSIONS unit: mm (inch)

■ M8BSC-8U1-R



■ M8BSC-8U1-K, KK, L



- * PWR2 provided only for two independent power sources.
- ** Provided only for two independent power sources.
- *** Provided only for single power source.



Specifications are subject to change without notice.



幸託有限公司
XIN TOP CORPORATION

TEL : (02)2598-1199
FAX : (02)2596-2331

E-mail : info@xintop.com
Website : www.xintop.com