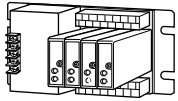


Dual Output Super-mini Signal Conditioners Pico-M Series

INSTALLATION BASE (4 positions)

Functions & Features

- Receiving at the maximum of 4 modules of Pico-M series signal conditioners
- Power supplied through printed wiring on the base
- Saving wiring work within an instrumentation panel



MODEL: M8BS-4U0-[1][2]

ORDERING INFORMATION

- Code number: M8BS-4U0-[1][2]
Specify a code from below for each [1] and [2].
(e.g. M8BS-4U0-R/Q)
- Specify the specification for option code /Q
(e.g. /C01)

CONNECTION (output 1/output 2)

U0: Screw terminal block / Screw terminal block

[1] POWER SUPPLY UNIT

AC Power

- K: 85 - 132 V AC; single power source
(Operational voltage range 85 - 132 V, 47 - 63 Hz)
- KK: 85 - 132 V AC; two independent power sources
(Operational voltage range 85 - 132 V, 47 - 63 Hz)
- L: 170 - 264 V AC; single power source
(Operational voltage range 170 - 264 V, 47 - 63 Hz)

DC Power

R: 24 V DC; no power supply unit
(Operational voltage range 24 V \pm 10 %, ripple 10 %p-p max.)
Redundant power supplies are recommended for long time use without interruption.

[2] OPTIONS

blank: none

/Q: With options (specify the specification)

SPECIFICATIONS OF OPTION: Q

COATING (For the detail, refer to M-System's web site.)

Only solder side of the main PWB is coated.

/C01: Silicone coating

/C02: Polyurethane coating

/C03: Rubber coating

GENERAL SPECIFICATIONS

Capacity: 4 positions

Connection

Power input: M3.5 screw terminals (M3 screw terminals for AC power input) (torque 0.8 N·m)

Input and output: M3.5 screw terminals (torque 0.8 N·m)

Screw terminal: Nickel-plated steel

Isolation: Input to output 1 to output 2 to power to FG

Power indicator LED: ON with normal voltage level

INSTALLATION

Power Consumption

•AC: 130 VA min.

•DC: 0.7 A min.

Operating temperature: 0 to 55°C (32 to 131°F)

0 to 50°C (32 to 122°F) for AC power

Operating humidity: 30 to 90 %RH (non-condensing)

Mounting: Surface

Weight:

0.6 kg (1.3 lbs) for power code K, L

0.7 kg (1.5 lbs) for power code KK

0.5 kg (1.1 lbs) for power code R

PERFORMANCE

Insulation resistance: \geq 100 M Ω with 500 V DC

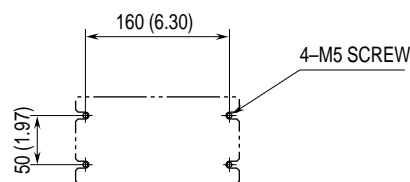
Dielectric strength:

1500 V AC @1 minute (input to output 1 or output 2 or power to FG)

500 V AC @1 minute (output 1 to output 2 to power)

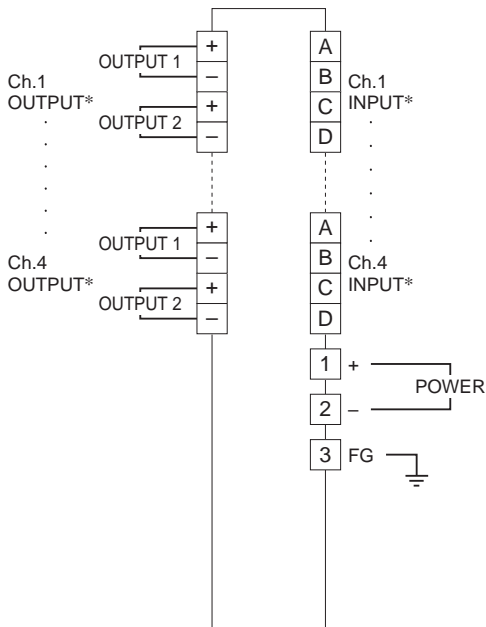
500 V AC @1 minute (output 1 or output 2 to FG for AC power input)

MOUNTING REQUIREMENTS mm (inch)

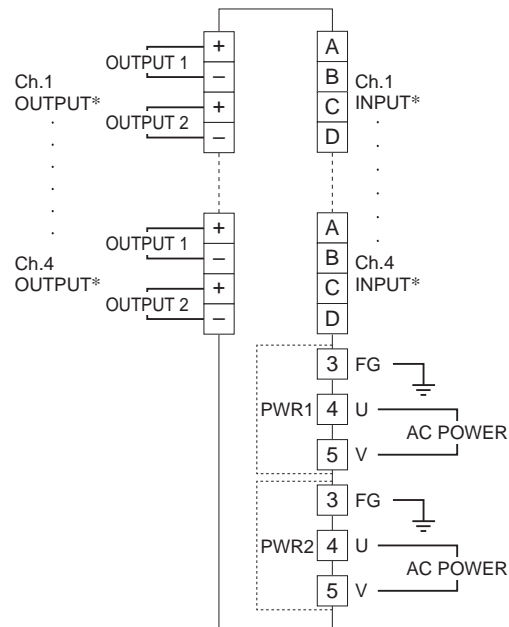


CONNECTION DIAGRAM

■ DC Power Supply



■ Single Power Supply, Two Independent Power Sources

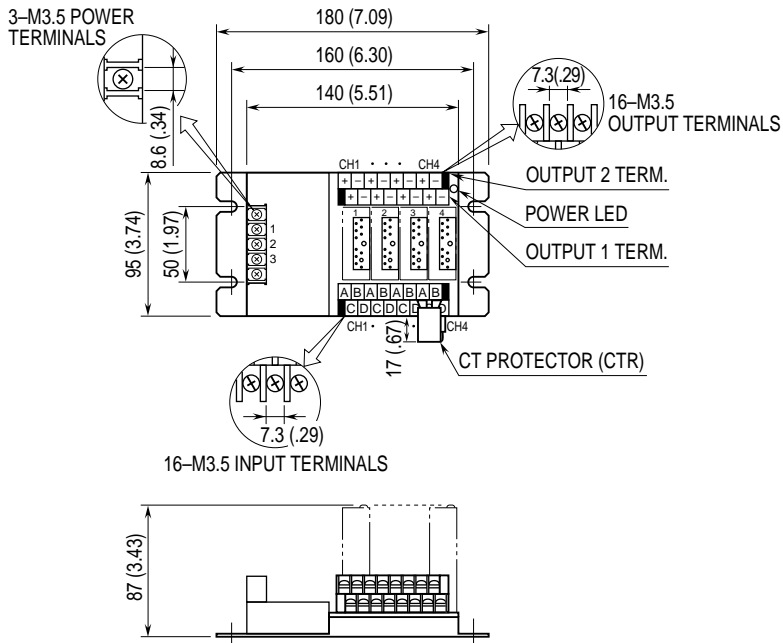


PWR2 provided only for two independent power sources.

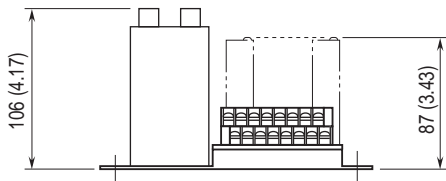
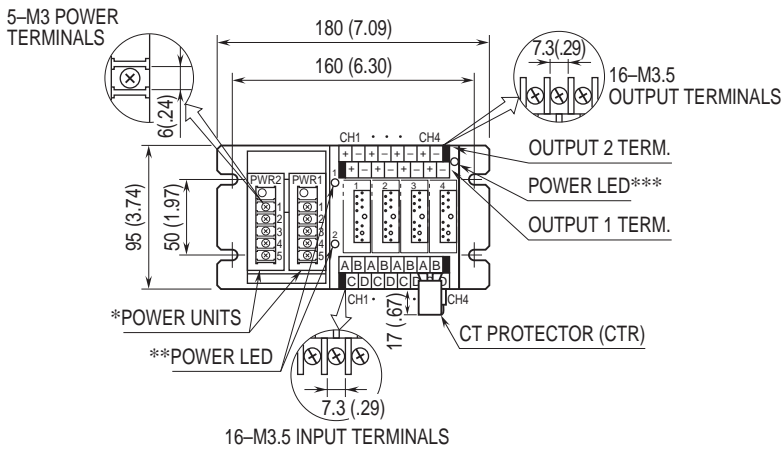
*The input and output terminals are reversed for model M8YSx, M8YCx.
Use either Output 1 or Output 2 terminal for the input.

DIMENSIONS unit: mm (inch)

■ M8BS-4U0-R



■ M8BS-4U0-K, KK, L



- * PWR2 provided only for two independent power sources.
- ** Provided only for two independent power sources.
- *** Provided only for single power source.



Specifications are subject to change without notice.