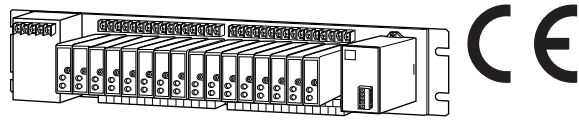


## Dual Output Super-mini Signal Conditioners Pico-M Series

### INSTALLATION BASE (for network interface)

#### Functions & Features

- Holding up to 16 modules of Pico-M series signal conditioners
- Direct connection to various networks via the 61-Unit Analog Input Modules mounted on the base
- Power supplied through printed wiring on the base
- Saving wiring work within an instrumentational panel
- CE marking



### MODEL: M8BS2-[1][2]-[3][4]

#### ORDERING INFORMATION

- Code number: M8BS2-[1][2]-[3][4]  
Specify a code from below for each [1] trough [4].  
(e.g. M8BS2-161-R/Q)
- Specify the specification for option code /Q  
(e.g. /C01)

#### [1] CAPACITY

- 04: 4 positions
- 08: 8 positions
- 16: 16 positions

#### [2] I/O TYPE

- 1: Input (Select 1 - 5V for Output 1.)
- 2: Output (Select model M8YVx with 1 - 5V input.)
- 3: Output (Select model M8YSx with 1 - 5V input.)
- 4: Input/Output  
(Input channel 8 points: Select 1 - 5 V for Output 1.)  
(Output channel 8 points: Select model M8YVx with 1 - 5V input.)  
(Specify capacity suffix code 16.)  
(Only 61C-163-R is available for related products.)  
(CE not available)

#### [3] POWER INPUT

##### AC Power

M2: 100 - 240 V AC (Operational voltage range 85 - 264 V, 47 - 63 Hz)

##### DC Power

R: 24 V DC

(Operational voltage range 24 V  $\pm$ 10 %, ripple 10 %p-p max.)

#### [4] OPTIONS

blank: none

/Q: With options (specify the specification)

#### SPECIFICATIONS OF OPTION: Q

##### COATING (For the detail, refer to M-System's web site.)

Only solder side of the main PWB is coated.

/C01: Silicone coating

/C02: Polyurethane coating

/C03: Rubber coating

#### RELATED PRODUCTS

- Analog I/O Module (model: 61x)  
Specify power suffix code 'R' (24V DC).  
For Input/Output type, specify 61C-163-R.

#### GENERAL SPECIFICATIONS

Capacity: 4, 8 or 16 positions

Connection

Power input: M3.5 screw terminals (torque 0.8 N·m)

Input and output: M3.5 screw terminals (torque 0.8 N·m)

Screw terminal: Nickel-plated steel

Isolation: Input to output 1 to output 2 to power to FG

Power indicator LED: ON with normal voltage level

#### INSTALLATION

##### Power Consumption

•AC: 130 VA min.

•DC: 2.5 A min.

Operating temperature: 0 to 55°C (32 to 131°F)

0 to 50°C (32 to 122°F) for AC power

Operating humidity: 30 to 90 %RH (non- condensing)

30 to 85 %RH for AC power

Atmosphere: No corrosive gas or heavy dust

Mounting: Surface

Weight

AC power:

1.0 kg (2.2 lbs) (4 positions)

1.2 kg (2.6 lbs) (8 positions)

2.5 kg (5.5 lbs) (16 positions)

DC power:

0.6 kg (1.3 lbs) (4 positions)

0.8 kg (1.8 lbs) (8 positions)

2.0 kg (4.4 lbs) (16 positions)

#### PERFORMANCE

Insulation resistance

Input use:  $\geq$  100 M $\Omega$  with 500 V DC

(input to output 2 to power to FG)

Output use:  $\geq$  100 M $\Omega$  with 500 V DC



(output 1 to output 2 to power to FG)

**Input/Output use:**  $\geq 100 \text{ M}\Omega$  with 500 V DC

(Input(input side) to Output 2(input side) to Output 1(output side) to Output 2(output side) to power to FG)

### Dielectric strength

#### • Input use

#### DC power:

1500 V AC @1 minute (input to output 2 or power to FG)

500 V AC @1 minute (output 2 to power)

#### AC power:

2300 V AC @1 minute (input or output 2 or FG to power)

1500 V AC @1 minute (input to output 2 or FG)

1000 V AC @1 minute (output 2 to FG)

#### • Output use (M8YVx)

#### DC power:

1500 V AC @1 minute (output 1 or output 2 or power to FG)

500 V AC @1 minute (output 1 to output 2 to power)

#### AC power:

2300 V AC @1 minute (output 1 or output 2 or FG to power)

1000 V AC @1 minute (output 1 or output 2 to FG)

500 V AC @1 minute (output 1 to output 2)

#### • Output use (M8YSx)

#### DC power:

1500 V AC @1 minute (input or output or power to FG)

500 V AC @1 minute (input to power)

#### AC power:

2300 V AC @1 minute (input or output or FG to power)

1000 V AC @1 minute (output to FG)

#### • Input/Output use

#### DC power:

1500 V AC @1 minute (Input(input side) to Output 2(input side) or Output 1(output side) or Output 2(output side) or power to FG)

500 V AC @1 minute (Output 2(input side) to Output

1(output side) to Output 2(output side) to power)

#### AC power:

2300 V AC @1 minute (Input(input side) or Output 2(input side) or Output 1(output side) or Output 2(output side) or FG to power)

1500 V AC @1 minute (Input(input side) to Output 2(input side) or Output 1(output side) or Output 2(output side) or FG)

1000 V AC @1 minute (Output 2(input side) or Output 1(output side) or Output 2(output side) to FG)

500 V AC @1 minute (Output 2(input side) to Output

1(output side) to Output 2(output side))

Low Voltage Directive (2006/95/EC)

The AC power unit conforms with the following standards:

EN 50178: 1997

EN 60950-1: 2001 + A11: 2004

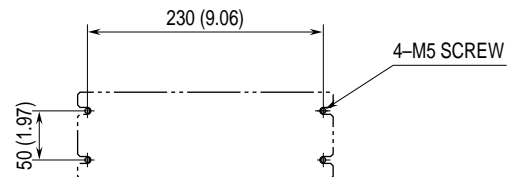
Installation Category II

Pollution Degree 2

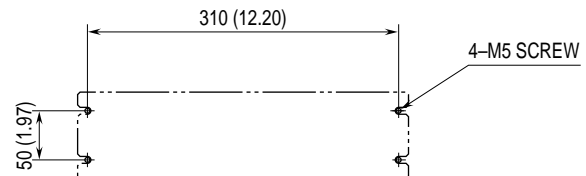
Max. operating voltage 300 V

## MOUNTING REQUIREMENTS mm (inch)

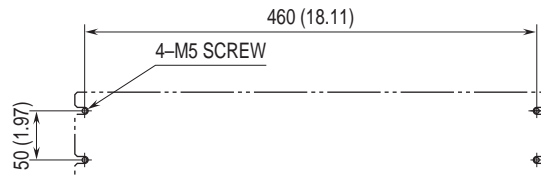
### ■ M8BS2-04x



### ■ M8BS2-08x



### ■ M8BS2-16x



## STANDARDS & APPROVALS

### CE conformity:

EMC Directive (2004/108/EC)

EMI EN 61000-6-4: 2007

EMS EN 61000-6-2: 2005



**幸託有限公司**  
XIN TOP CORPORATION

TEL : (02)2598-1199

FAX : (02)2596-2331

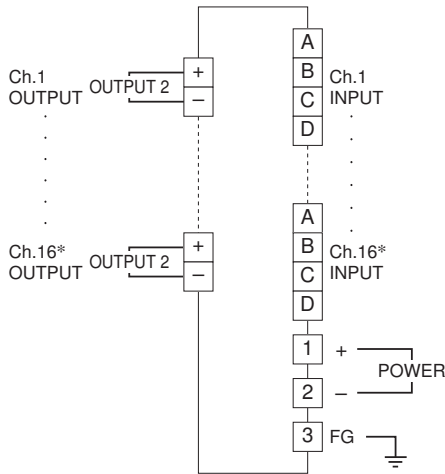
E-mail : info@xintop.com

Website : www.xintop.com

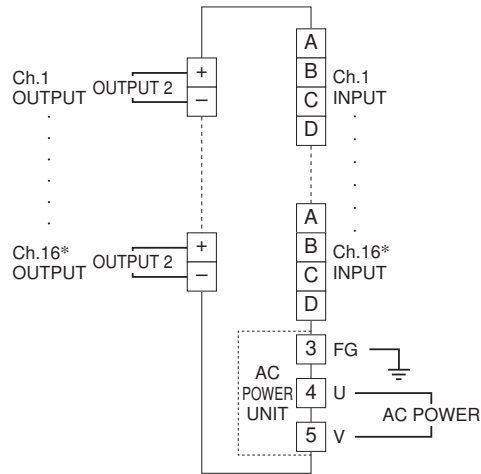
## CONNECTION DIAGRAM

### FIELD INPUT TYPE

#### •DC Power Supply



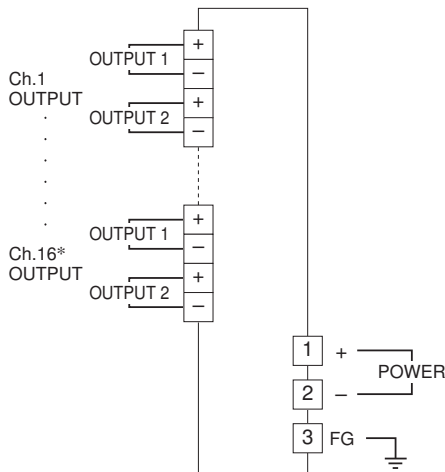
#### •AC Power Supply



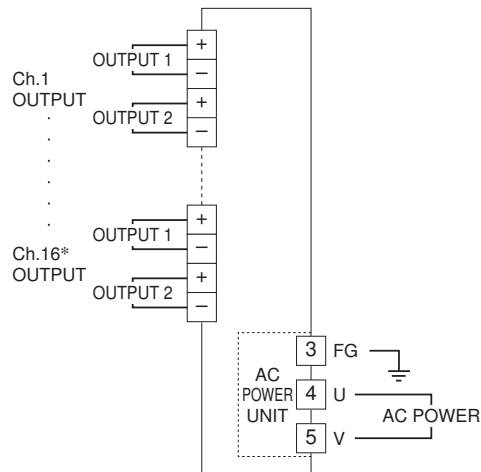
\*Up to 4 channels for M8BS2-04, 8 channels for M8BS2-08.

### FIELD OUTPUT TYPE (M8YVx)

#### •DC Power Supply



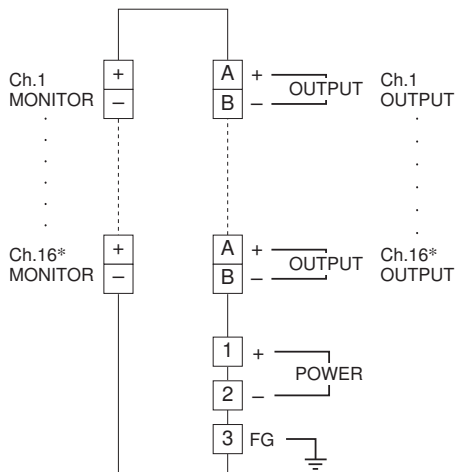
#### •AC Power Supply



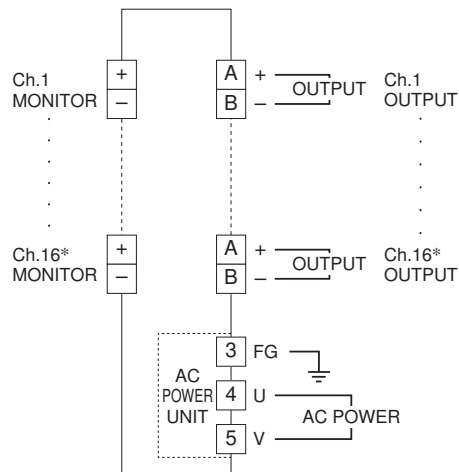
\*Up to 4 channels for M8BS2-04, 8 channels for M8BS2-08.

### FIELD OUTPUT TYPE (M8YSx)

#### •DC Power Supply



#### •AC Power Supply

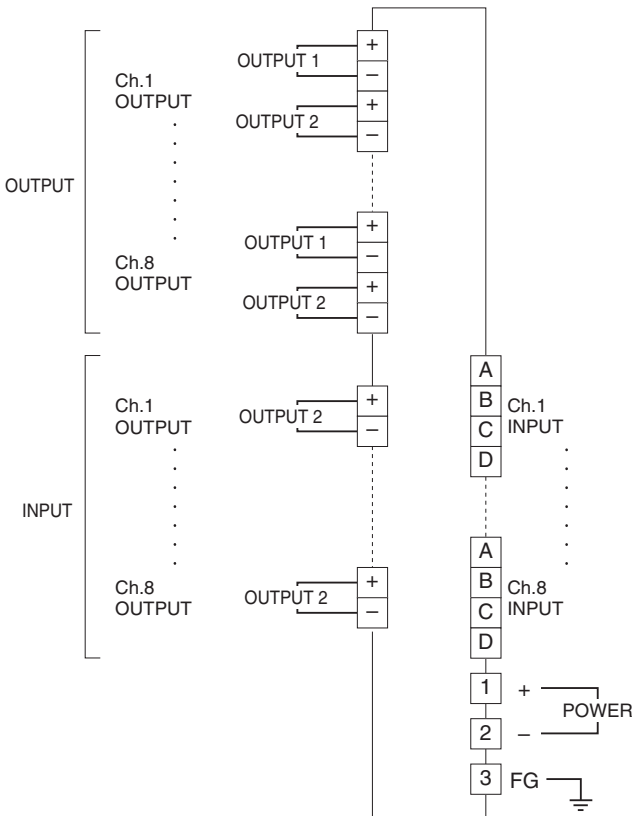


\*Up to 4 channels for M8BS2-04, 8 channels for M8BS2-08.

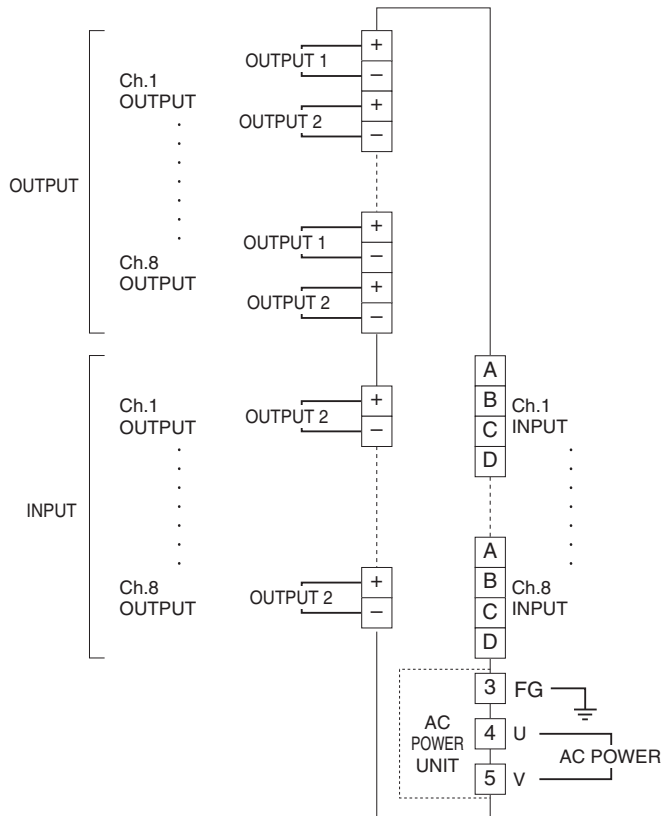


## INPUT/OUTPUT TYPE

### •DC Power Supply

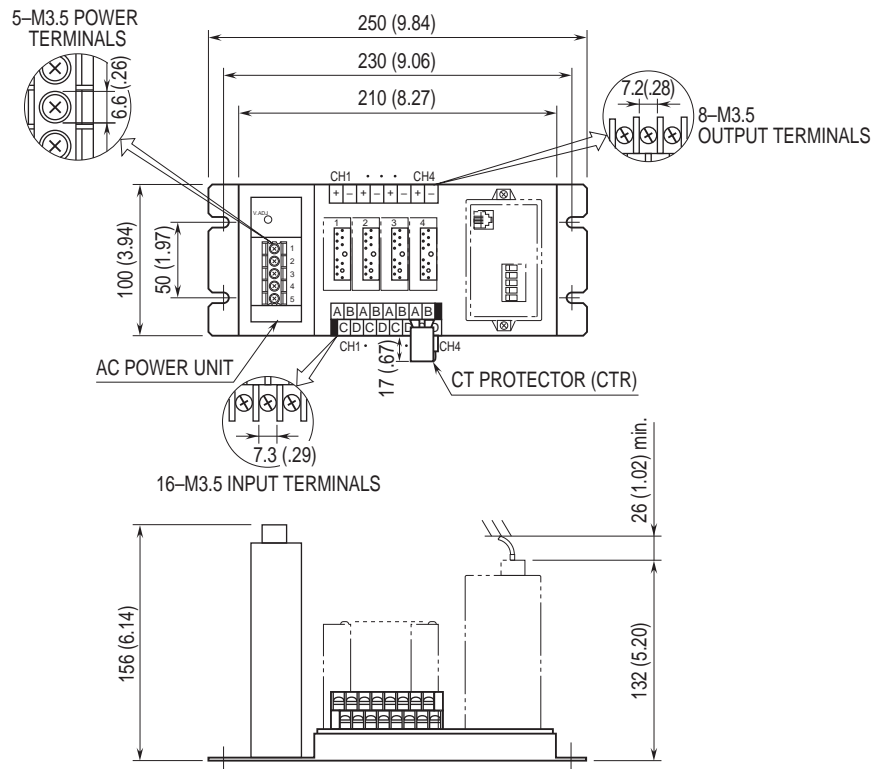


### •AC Power Supply

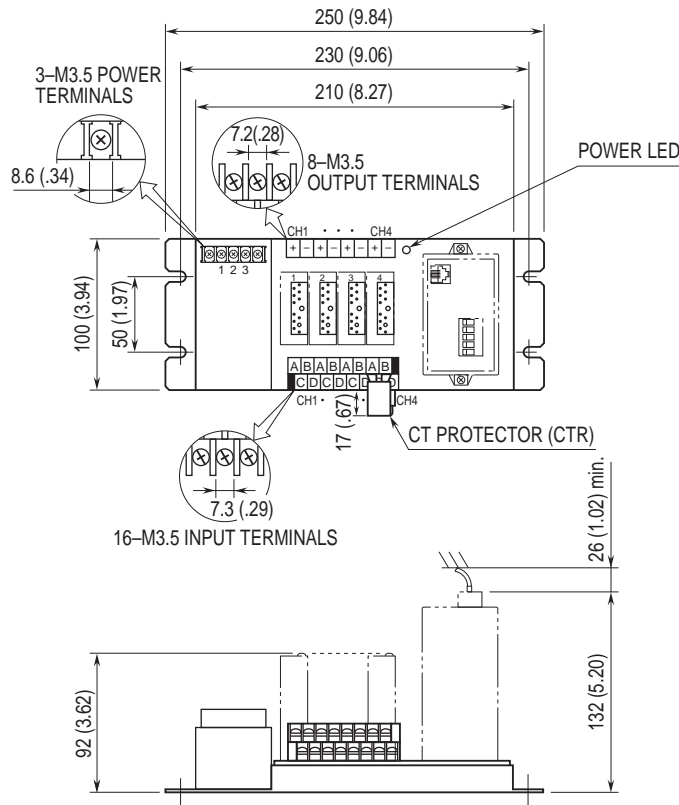


## DIMENSIONS unit: mm (inch)

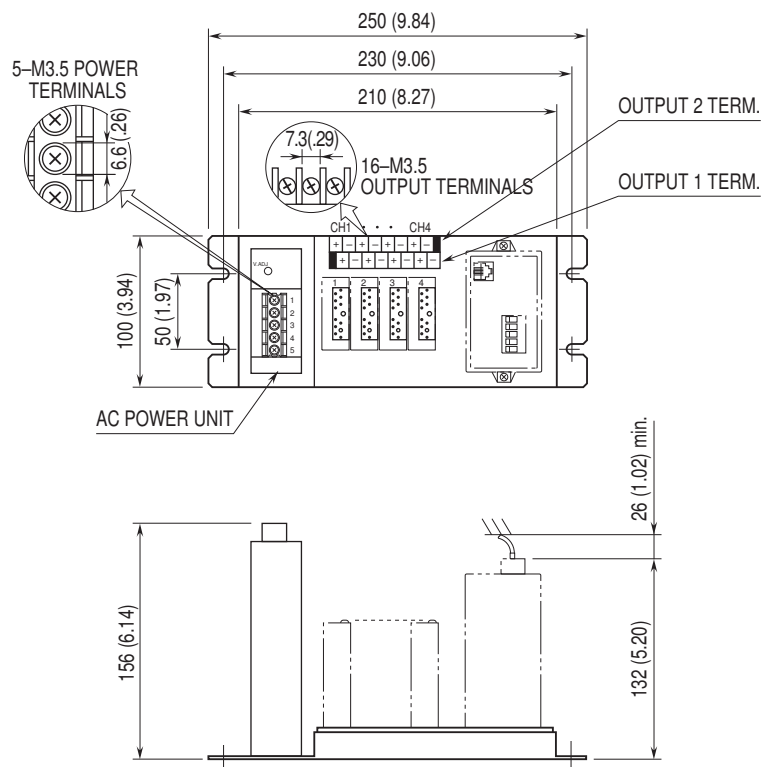
### ■ M8BS2-041-M2



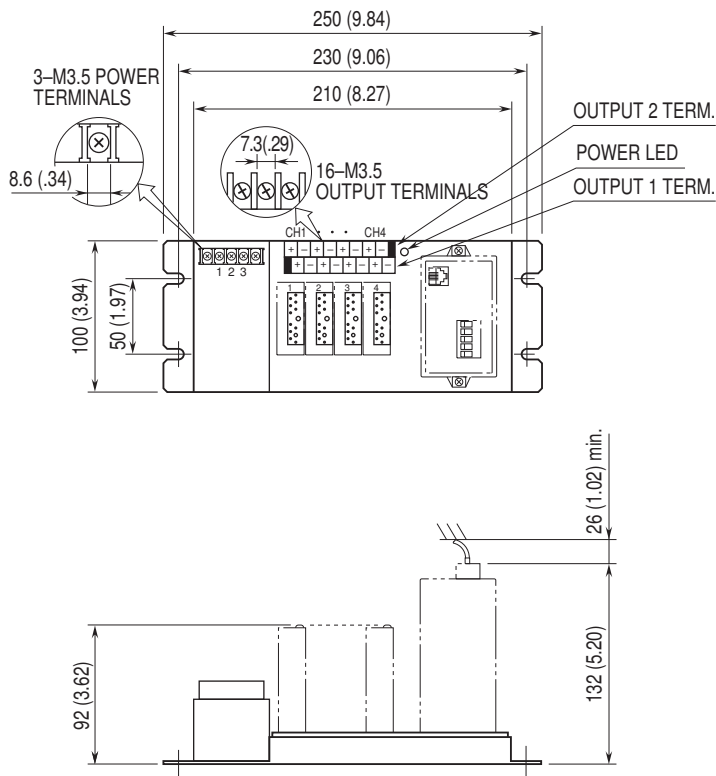
## ■ M8BS2-041-R



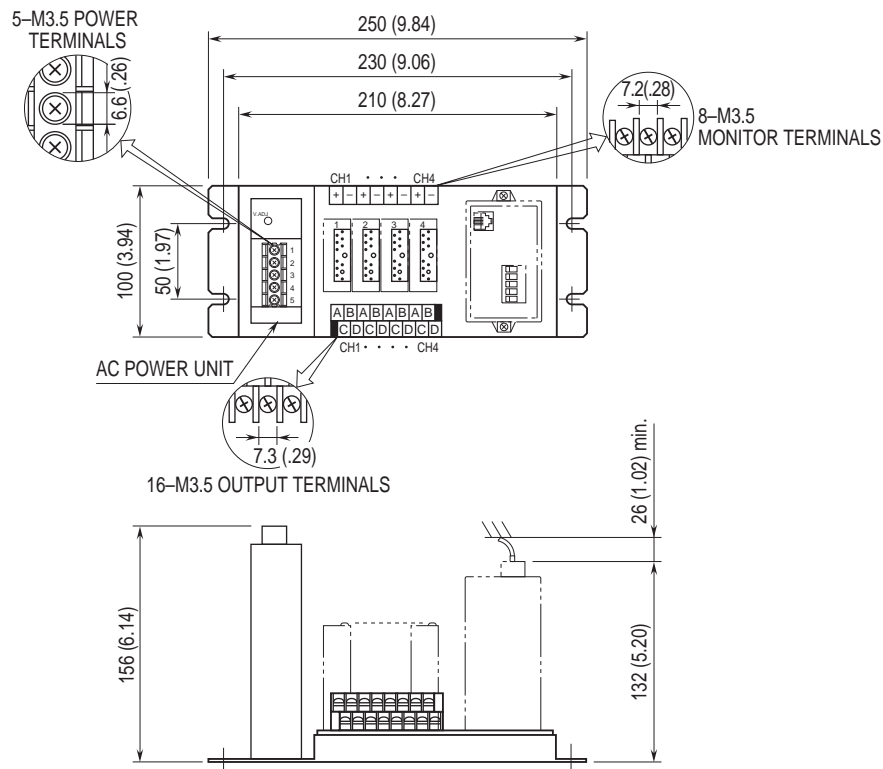
## ■ M8BS2-042-M2



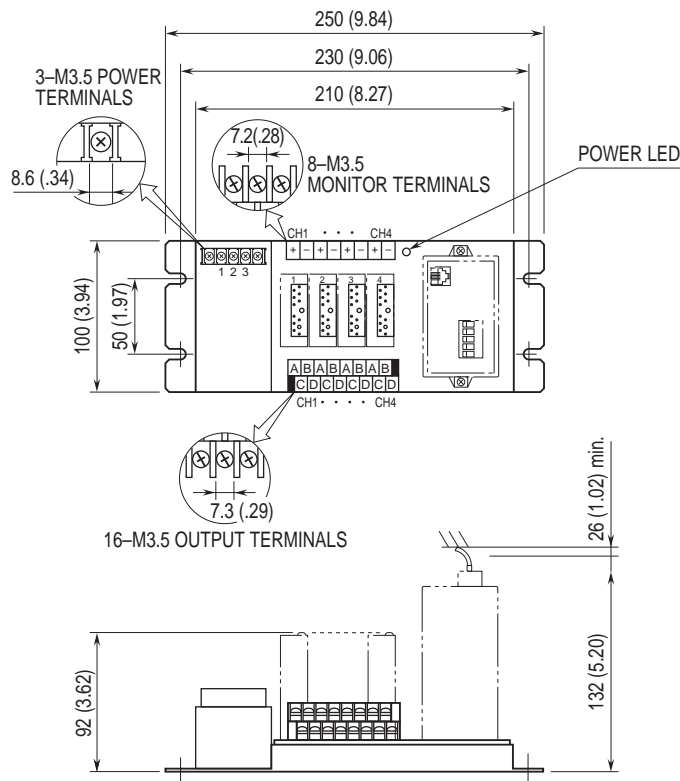
## ■ M8BS2-042-R



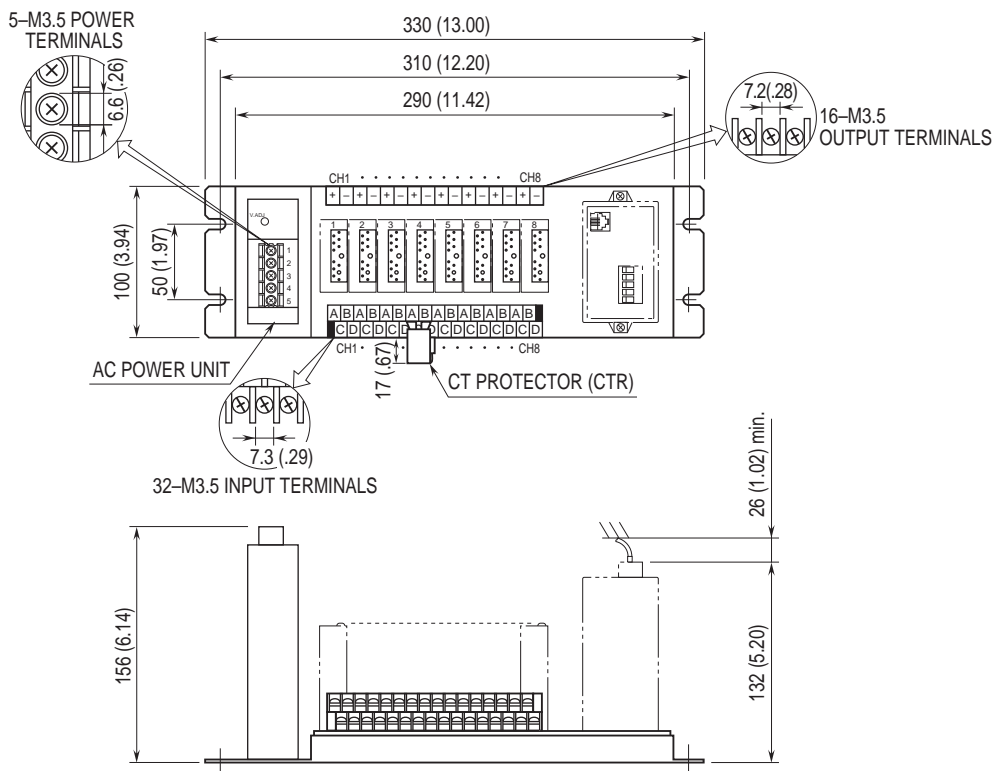
## ■ M8BS2-043-M2



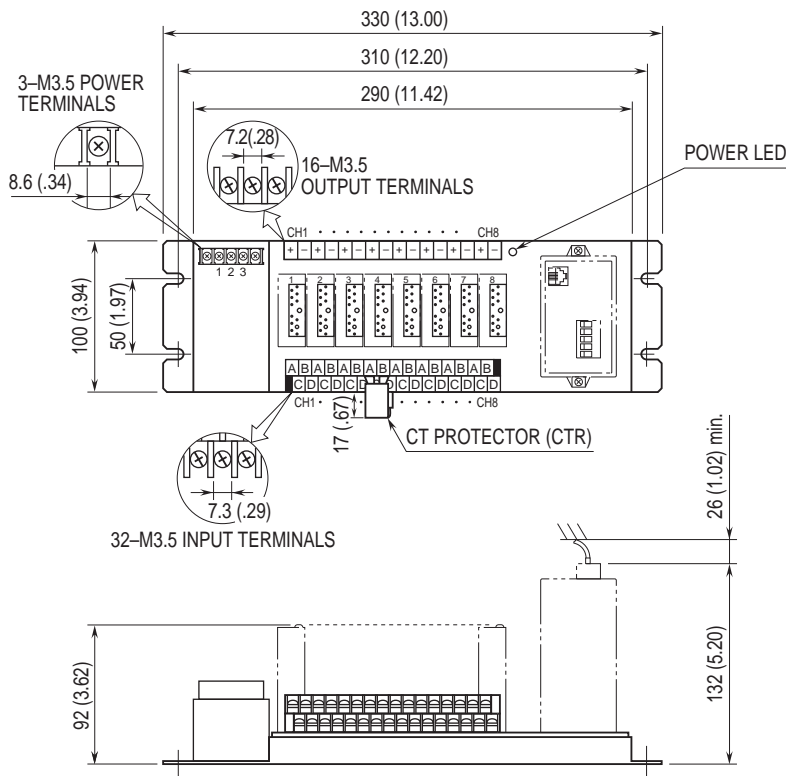
## ■ M8BS2-043-R



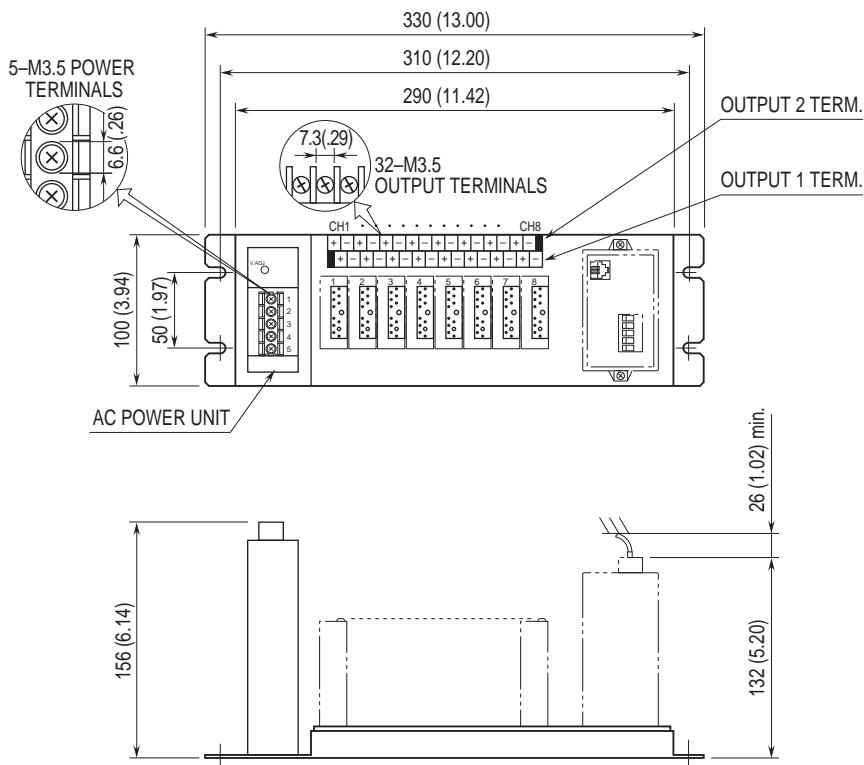
## ■ M8BS2-081-M2



## ■ M8BS2-081-R

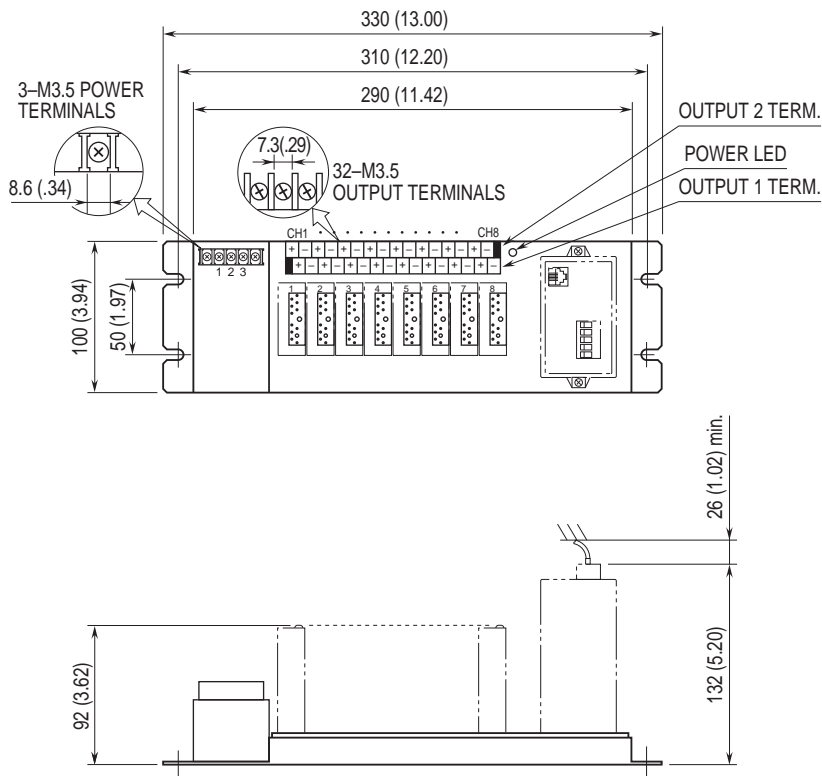


## ■ M8BS2-082-M2

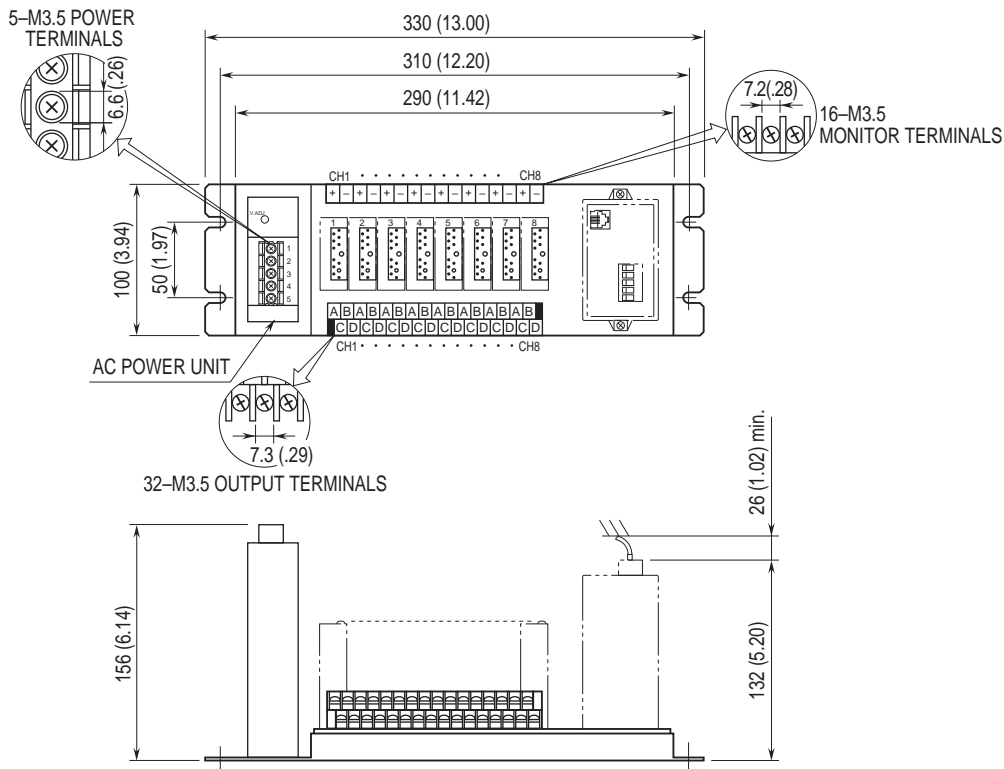




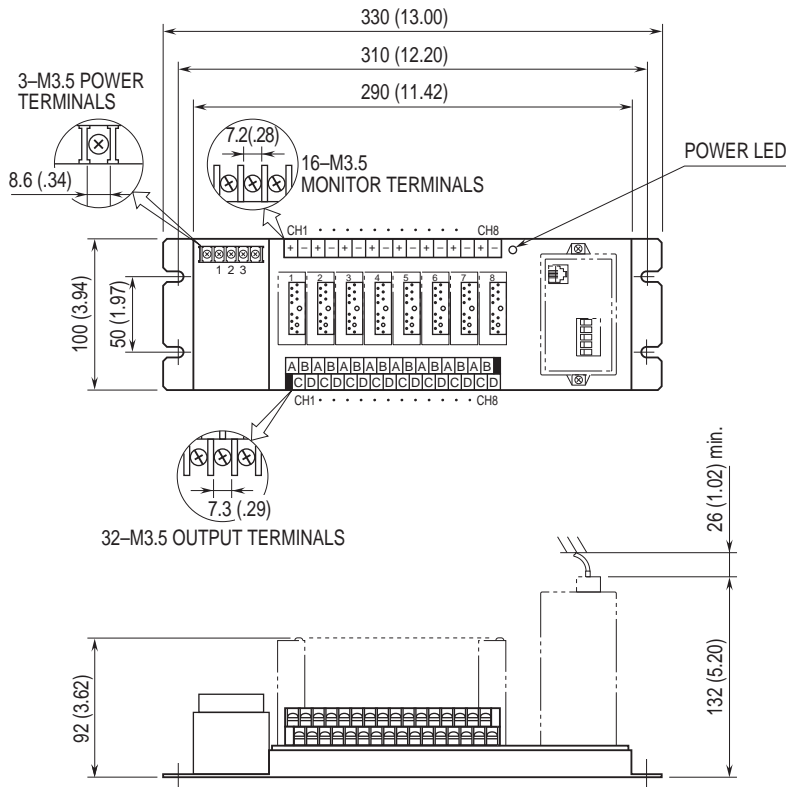
## ■ M8BS2-082-R



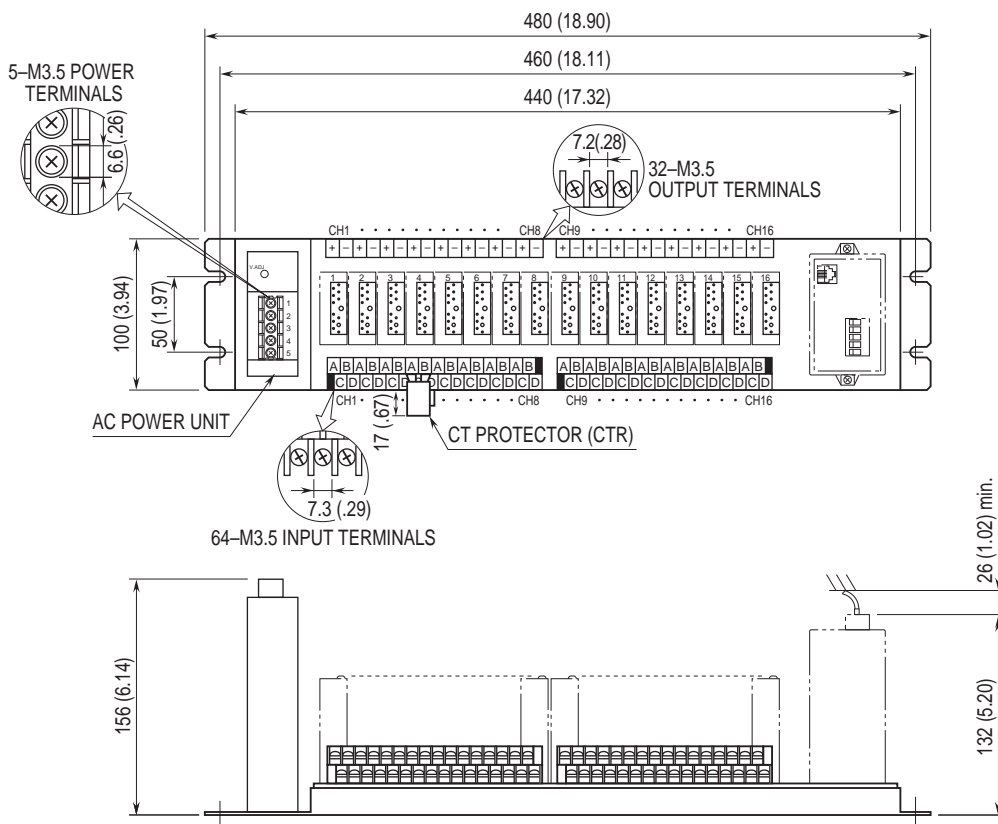
## ■ M8BS2-083-M2



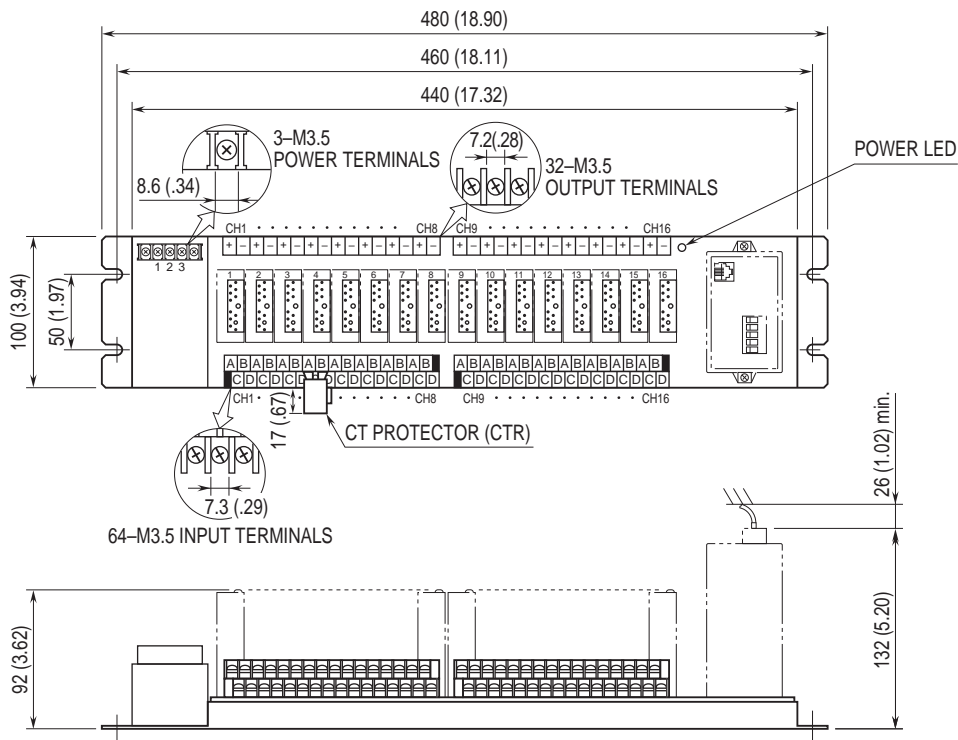
## ■ M8BS2-083-R



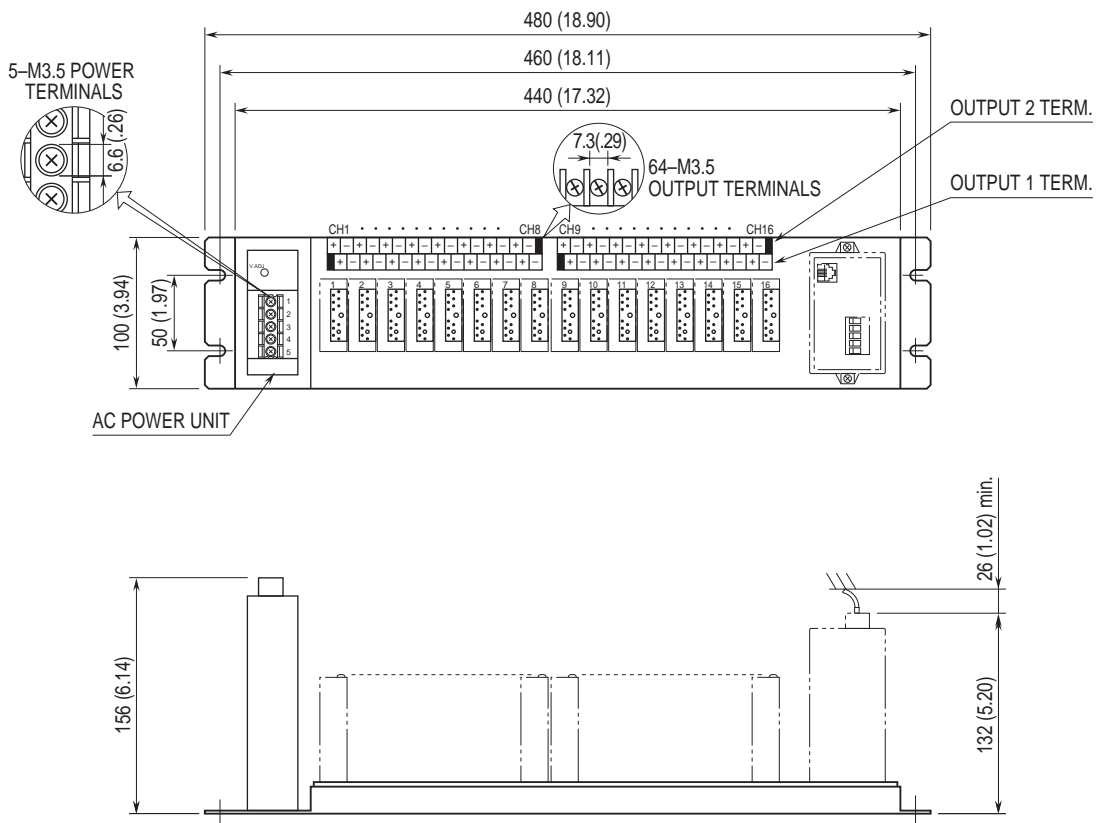
## ■ M8BS2-161-M2



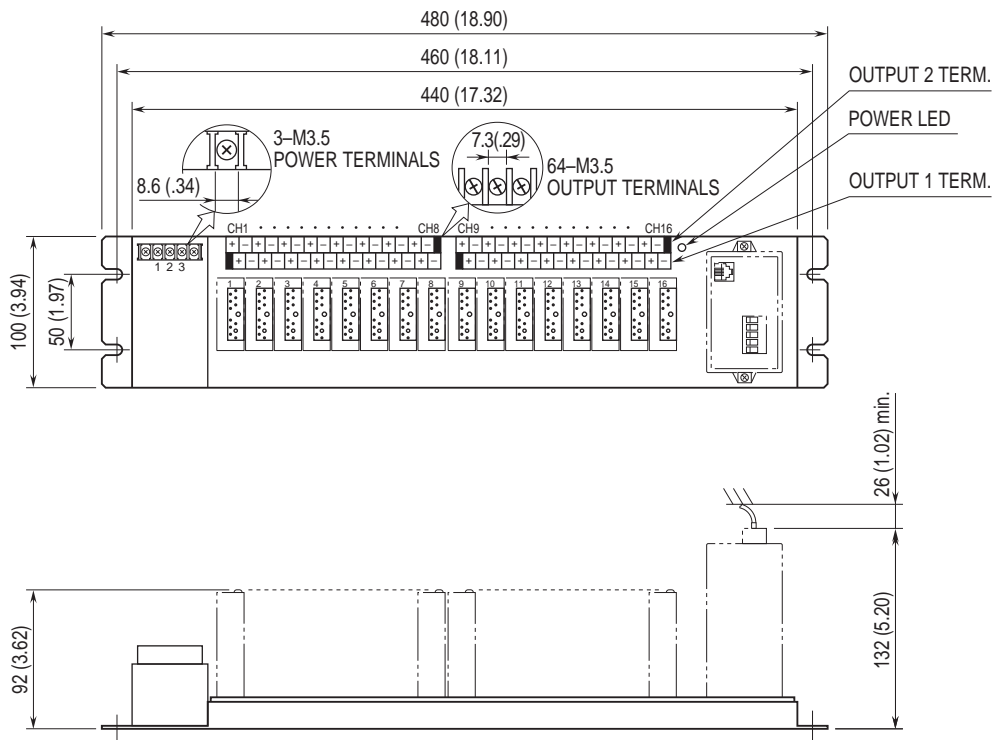
## ■ M8BS2-161-R



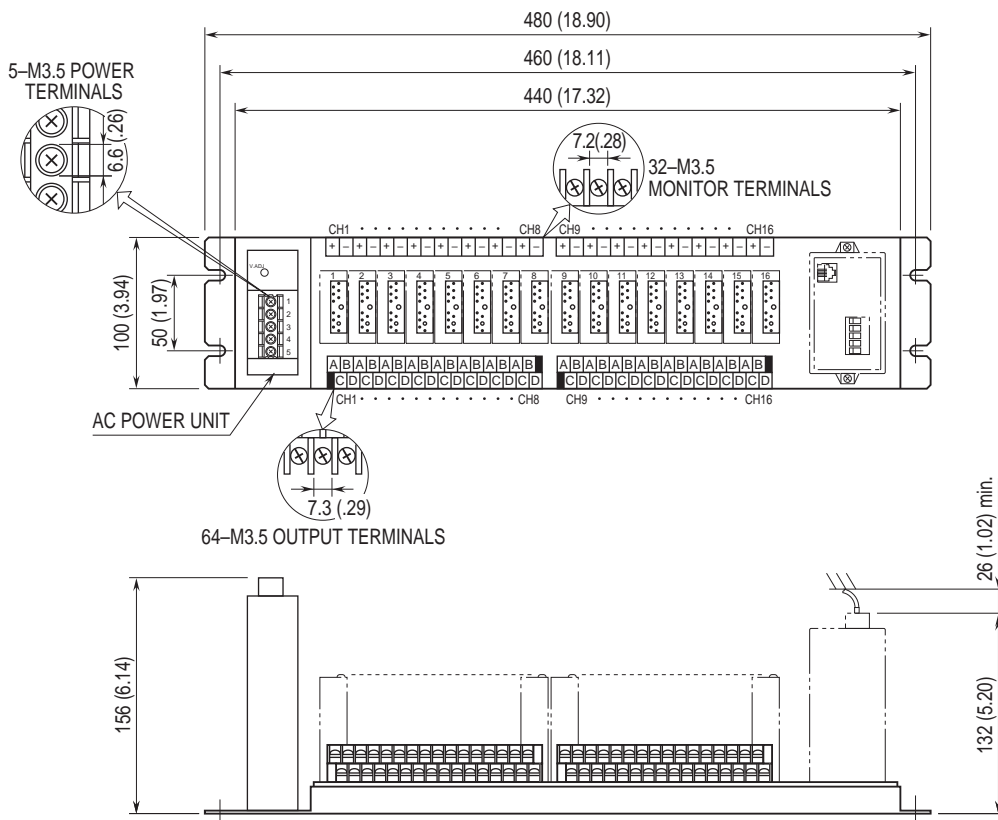
## ■ M8BS2-162-M2



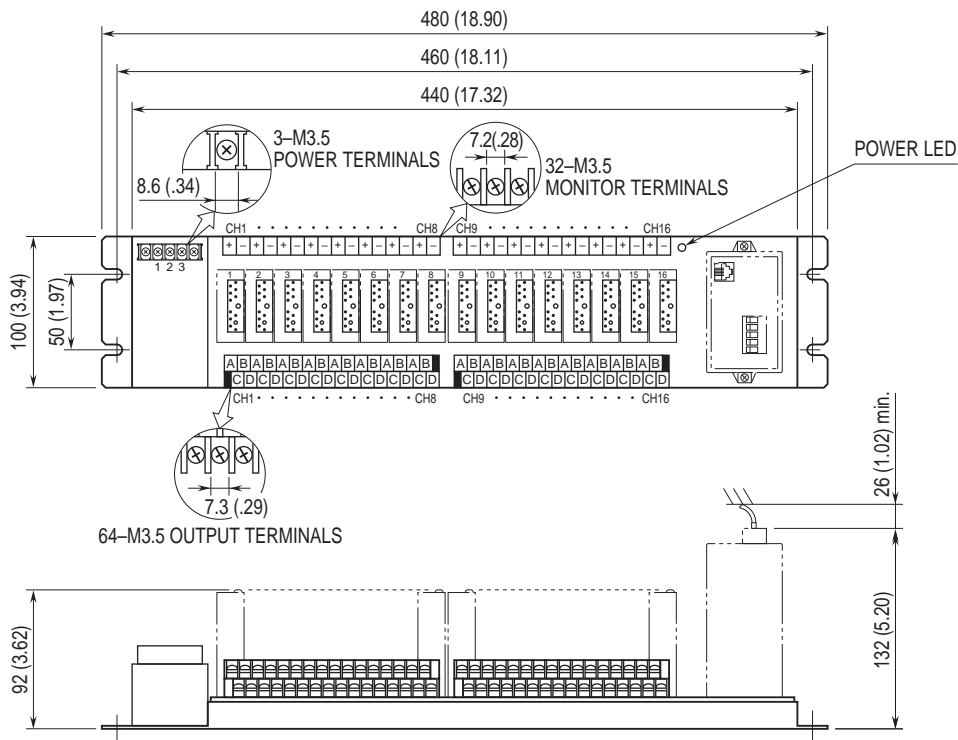
## ■ M8BS2-162-R



## ■ M8BS2-163-M2



## ■ M8BS2-163-R



## ■ M8BS2-164-M2

