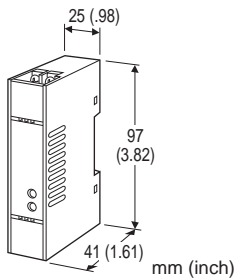


Super-mini Terminal Block Signal Conditioners M5-UNIT

INPUT LOOP POWERED ISOLATOR

Functions & Features

- Input-loop-powered design eliminates need for an output loop power supply
- 350 Ω output drive
- High-density mounting
- CE marking



MODEL: M5SN-AA[1]

ORDERING INFORMATION

Specify a code from below for [1]

- Code number: M5SN-AA[1]
(e.g. M5SN-AA/Q)
- Specify the specification for option code /Q
(e.g. /C01)

INPUT

Current

A: 4 - 20 mA DC

OUTPUT

Current

A: 4 - 20 mA DC

[1] OPTIONS

blank: none

/Q: With options (specify the specification)

SPECIFICATIONS OF OPTION: Q

COATING (For the detail, refer to M-System's web site.)

/C01: Silicone coating

/C02: Polyurethane coating

/C03: Rubber coating

GENERAL SPECIFICATIONS

Construction: Terminal block

Connection: M3.5 screw terminals (torque 0.8 N·m)

Screw terminal: Nickel-plated steel

Housing material: Flame-resistant resin (black)

Isolation: Input to output

Zero adjustment: -0.5 to +0.5 % (front)

Span adjustment: 98.5 to 101.5 % (front)

INPUT & OUTPUT

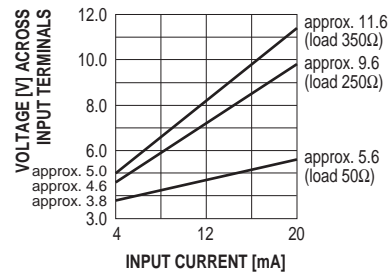
• Input 4 - 20 mA DC / Output 4 - 20 mA DC

Equivalent input impedance: 230 Ω plus load resistance with 20 mA input

Operational range: 3 - 22 mA DC

(Accuracy is assured within 4 - 22 mA)

Load resistance: 350 Ω maximum; min. 50 Ω required for adequate operation



INSTALLATION

Operating temperature: -5 to +55°C (23 to 131°F)

Operating humidity: 0 to 90 %RH (non-condensing)

Mounting: DIN rail

Weight: 80 g (2.8 oz)

PERFORMANCE in percentage of span

Accuracy: ±0.1 %

Temp. coefficient: ±0.02 %/°C (±0.01 %/°F)

Response time: Approx. 15 msec. (0 - 90 %)

Load effect: (factory-calibrated with 250 Ω load)

0.015 %/Ω (50 - 150 Ω)

0.003 %/Ω (150 - 350 Ω)

Insulation resistance: ≥ 100 MΩ with 500 V DC

Dielectric strength:

500 V AC @1 minute (input to output)

2000 V AC @1 minute (input or output to ground)

STANDARDS & APPROVALS

CE conformity:

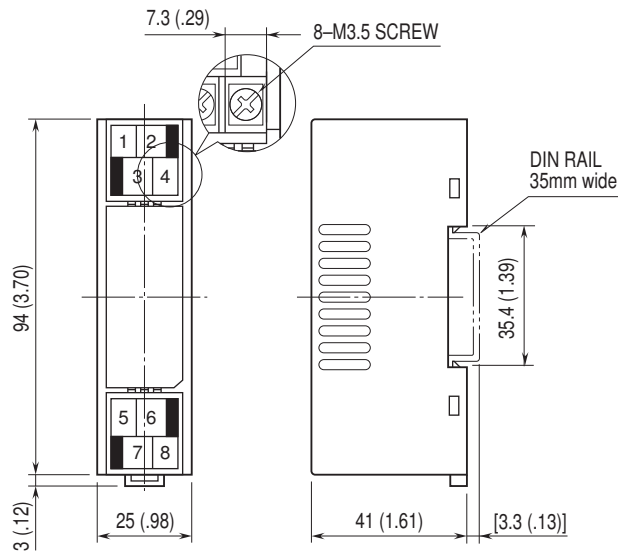
EMC Directive (2004/108/EC)

EMI EN 61000-6-4: 2007

EMS EN 61000-6-2: 2005

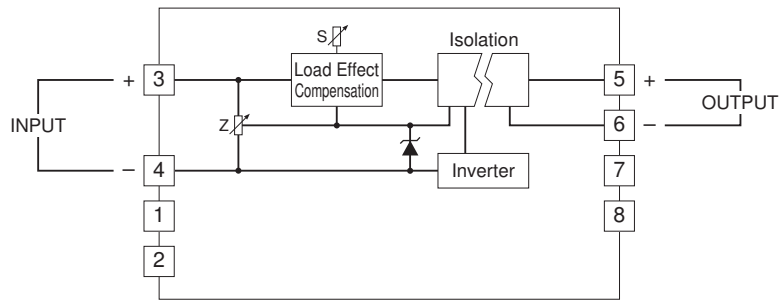


DIMENSIONS unit: mm (inch)



• When mounting, no extra space is needed between units.

SCHEMATIC CIRCUITRY & CONNECTION DIAGRAM



Specifications are subject to change without notice.