

Super-space-saving Signal Conditioners M3S-UNIT Series

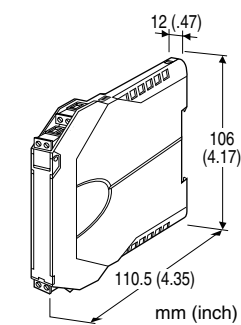
POTENTIOMETER TRANSMITTER

Functions & Features

- Provides a standard DC output proportional to a potentiometer or slidewire position input
- Constant voltage excitation
- Universal AC/DC power input
- Fast response type available
- High-density mounting
- Power indicator LED
- CE marking

Typical Applications

- Tank levels
- Positions



MODEL: M3SMS-[1]-[2][3]

ORDERING INFORMATION

- Code number: M3SMS-[1]-[2][3]
- Specify a code from below for each [1] through [3].
(e.g. M3SMS-A-R/K)
- Special output range (For codes Z & 0)

INPUT

Total resistance 100 Ω - 10 kΩ

[1] OUTPUT

Current

- A: 4 - 20 mA DC (Load resistance 550 Ω max.)
- B: 2 - 10 mA DC (Load resistance 1100 Ω max.)
- C: 1 - 5 mA DC (Load resistance 2200 Ω max.)
- D: 0 - 20 mA DC (Load resistance 550 Ω max.)
- E: 0 - 16 mA DC (Load resistance 680 Ω max.)
- F: 0 - 10 mA DC (Load resistance 1100 Ω max.)
- G: 0 - 1 mA DC (Load resistance 11 kΩ max.)
- Z: Specify current (See OUTPUT SPECIFICATIONS)

Voltage

- 1: 0 - 10 mV DC (Load resistance 10 kΩ min.)
- 2: 0 - 100 mV DC (Load resistance 100 kΩ min.)
- 3: 0 - 1 V DC (Load resistance 1000 Ω min.)
- 4: 0 - 10 V DC (Load resistance 10 kΩ min.)
- 5: 0 - 5 V DC (Load resistance 5000 Ω min.)
- 6: 1 - 5 V DC (Load resistance 5000 Ω min.)
- 4W: -10 - +10 V DC (Load resistance 10 kΩ min.)
- 5W: -5 - +5 V DC (Load resistance 5000 Ω min.)
- 0: Specify voltage (See OUTPUT SPECIFICATIONS)

[2] POWER INPUT

AC Power

M2: 100 - 240 V AC (Operational voltage range 90 - 264 V, 47 - 66 Hz)

DC Power

R: 24 V DC

(Operational voltage range 24 V ±10 %, ripple 10 %p-p max.)

Universal

AD: 100 - 240 V AC / 24 - 240 V DC (universal)

(Operational voltage range 90 - 264 V AC, 47 - 66 Hz / 21.6 - 264 V DC, ripple 10 %p-p max.)

[3] OPTIONS

RESPONSE TIME (0 - 90 %)

blank: Standard (≤ 0.5 sec.)

/K: Fast Response (Approx. 25 msec.)

GENERAL SPECIFICATIONS

Construction: Small-sized front terminal structure

Connection: Removable terminal block

Applicable wire size: 0.2 to 2.5 mm²

Housing material: Flame-resistant resin (gray)

Isolation: Input to output to power

Overrange output: Approx. -10 to +120 % at 1 - 5 V

Zero adjustment: 0 - 30 % of total resistance (front)

Span adjustment: 70 - 100 % of total resistance (front)

Power LED: Green light turns on when the power is supplied.

INPUT SPECIFICATIONS

Minimum span: 70 % of total resistance

Excitation: 0.5 V DC

OUTPUT SPECIFICATIONS

• **DC Current:** 0 - 20 mA DC

Minimum span: 1 mA

Offset: Max. 1.5 times span

Load resistance: Output drive 11 V max.

• **DC Voltage:** -10 - +11 V DC

Minimum span: 5 mV

Offset: Max. 1.5 times span



Load resistance: Output drive 1 mA maximum; at ≥ 0.5 V

INSTALLATION

Power Consumption

•AC:

Approx. 2 VA at 100 V

Approx. 3 VA at 200 V

Approx. 4 VA at 264 V

•DC: Approx. 1 W

Operating temperature: -10 to +55°C (14 to 131°F)

Operating humidity: 30 to 90 %RH (non-condensing)

Mounting: DIN rail

Weight: 100 g (3.53 oz)

PERFORMANCE in percentage of span

Accuracy: ± 0.1 %

Temp. coefficient: ± 0.015 %/°C (± 0.008 %/°F)

Line voltage effect: ± 0.1 % over voltage range

Insulation resistance: ≥ 100 M Ω with 500 V DC

Dielectric strength: 2000 V AC @1 minute (input to output to power to ground)

STANDARDS & APPROVALS

CE conformity:

EMC Directive (2004/108/EC)

EMI EN 61000-6-4: 2007

EMS EN 61000-6-2: 2005

Low Voltage Directive (2006/95/EC)

EN 61010-1: 2001

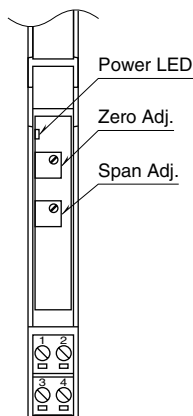
Installation Category II

Pollution Degree 2

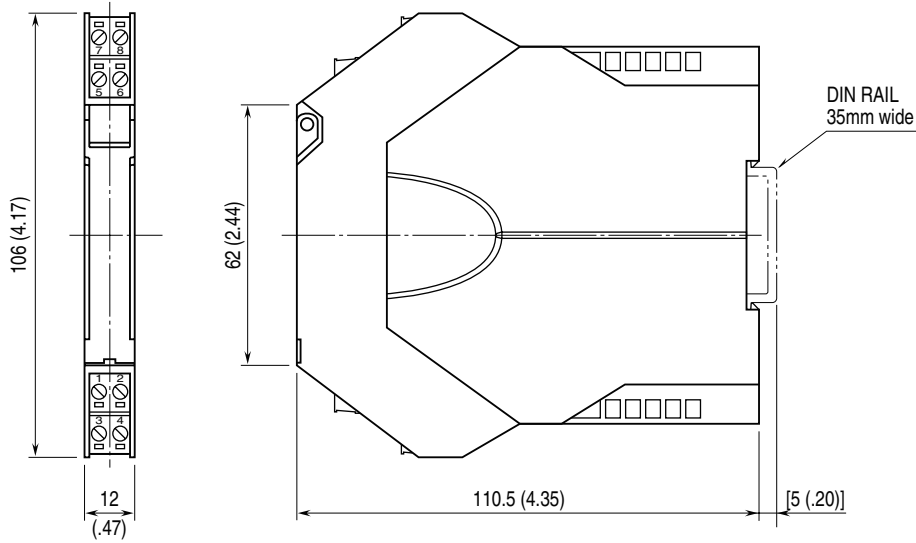
Input or output to power: Reinforced insulation (300 V)

Input to output: Basic insulation (300 V)

EXTERNAL VIEW

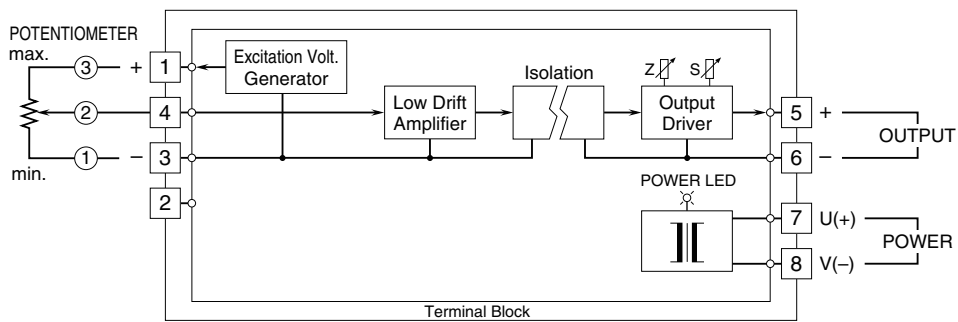


EXTERNAL DIMENSIONS & TERMINAL ASSIGNMENTS unit: mm (inch)



• When mounting, no extra space is needed between units.

SCHEMATIC CIRCUITRY & CONNECTION DIAGRAM



Specifications are subject to change without notice.