

Power Transducer Series

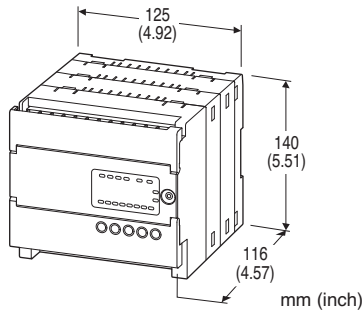
MULTI POWER TRANSDUCER

Functions & Features

- Measures simultaneously several variables of a heavy-current power system: current, voltage, active, reactive and apparent power, active and reactive energy, power factor, frequency, etc.
- Parameters are programmable using the front keys or the PC
- Displayed measurands are freely selectable
- Loop test output
- 10-point analog and 2-point energy pulse output

Typical Applications

- Multi-functional power measurement in electric device or in switching boards.



MODEL: LSMT4-[1][2][3]1-AD4

ORDERING INFORMATION

• Code number: LSMT4-[1][2][3]1-AD4
 Specify a code from below for each [1] through [3].
 (e.g. LSMT4-12A1-AD4)
 Non-specified orders will be shipped at default factory settings (No. ESU-1957). However, the power suffix code must be specified.
 Measured variables can be reconfigured with front panel or PC configurator software.

[1] CONFIGURATION

- 1: Single-phase / 2-wire and 3-wire, 3-phase / 3-wire
- 2: Single-phase / 2-wire and 3-wire, 3-phase / 3-wire and 4-wire

[2] INPUT

- 1: 480 V / 1 A AC
- 2: 480 V / 5 A AC

[3] OUTPUT

- Current**
- A: 4 - 20 mA DC
- Voltage**
- 4: 0 - 10 V DC
- 5: 0 - 5 V DC
- 6: 1 - 5 V DC

DISCRETE OUTPUT

- 1: Do 2-point

AUXILIARY POWER SUPPLY

AD4: universal
 100 - 240 V AC (Operational range 85 - 264 V, 50 / 60 Hz) /
 110 - 240 V DC (Operational range 99 - 264 V,
 ripple 10 %p-p max)

RELATED PRODUCTS

- PC configurator software (model: LSCFG)
 Downloadable at M-System's web site.
 A dedicated cable is required to connect the module to the PC. Please refer to the internet software download site or the users manual for the PC configurator for applicable cable types.

GENERAL SPECIFICATIONS

Construction: Stand-alone; terminal access at the front
Degree of protection: IP 20 (Terminal block, housing)
Connection
Voltage input: M4 screw terminals (torque 1.4 N·m)
Current input: M4 screw terminals (torque 1.4 N·m)
Output: M3.5 screw terminals (torque 0.6 N·m)
Power: M4 screw terminals (torque 1.4 N·m)
Configuration
Code 1: Single phase/2-wire and 3-wire, 3-phase/3-wire balanced/unbalanced load
Code 2: Single phase/2-wire and 3-wire, 3-phase/3-wire balanced/unbalanced load, 3-phase/4-wire balanced/unbalanced load
Screw terminal: Nickel-plated steel
Housing material: Flame-resistant resin (black)
Isolation: Voltage input to current input to output signal to discrete output 1 to discrete output 2 to auxiliary power supply to FE
Measured variables
Voltage: 1 - N, 2 - N, 3 - N, 1 - 2, 2 - 3, 3 - 1
Current: 1, 2, 3, N
Active / reactive / apparent power: 1, 2, 3, Σ
Power factor: 1, 2, 3, Σ
Frequency



Active energy
Reactive energy

■ DISPLAY:

Red LED; for setting and monitoring; signed 5 digits

INPUT SPECIFICATIONS

Frequency: 50 / 60 Hz (45 - 65 Hz)

• Voltage Input

Rated voltage

Line-to-line (delta voltage): 480 V

Line-neutral (phase voltage): 277 V (single-phase / 2-wire and 3-wire)

Consumption VA: $\leq U_{LN}^2 / 300 \text{ k}\Omega$ / phase

Overload capacity: 200 % of rating for 10 sec., 120 % continuous

Selectable primary voltage range: 50 - 400 000 V

• Current Input

Rated current: 1 A or 5 A

Consumption VA: $\leq I^2 \cdot 0.01 \Omega$ / phase

Overload capacity: 4000 % of rating for 1 sec., 2000 % for 4 sec., 120 % continuous

Selectable primary current range: 1 - 20 000 A

Selectable primary power range: $\leq 2 \text{ G VA}$

Operational range

Voltage, current, apparent power: $\leq 120 \%$ of the rating

Active / reactive power: -120 to +120 % of the rating

Frequency: 45 - 65 Hz

Power factor: -1 to +1

Weight: 700 g (1.5 lbs)

PERFORMANCE in percentage of rating

Accuracy

(at 23°C $\pm 10^\circ\text{C}$ or 73.4°F $\pm 18^\circ\text{F}$, 45 - 65 Hz)

Voltage: $\pm 0.5 \%$

Percentage of 100 V at $< 100 \text{ V}$

Percentage of input voltage at $\geq 100 \text{ V}$

Current: $\pm 0.5 \%$

Power: $\pm 0.5 \%$

Percentage of the span of wattage as listed below at $< 100 \text{ V}$:

173.2 W (1 A) or 866 W (5 A) for 3 ph/3 w

100 W (1 A) or 500 W (5 A) for 1 ph/2 w

200 W (1 A) or 1000 W (5 A) for 1 ph/3 w

300 W (1 A) or 1500 W (5 A) for 3 ph/4 w

Percentage of the span of power based on input voltage and rated current (1 A or 5 A) at $\geq 100 \text{ V}$

PF: $\pm 0.5 \%$

Frequency: $\pm 0.5 \%$

Energy: $\pm 1 \%$ (Load current 5 - 120 % PF 1; load current 10 - 120 % PF 0.5)

Response time: $\leq 1 \text{ sec.}$ (0 - 99 %)

Insulation resistance: $\geq 100 \text{ M}\Omega$ with 500 V DC

Dielectric strength: 2000 V AC @ 1 minute

(Voltage input to current input to output signal to discrete output 1 to discrete output 2 to auxiliary power to FE)

OUTPUT SPECIFICATIONS

■ DC Output

Load resistance (output range)

4 - 20 mA DC: $\leq 600 \Omega$

0 - 10 V DC: $\geq 5 \text{ k}\Omega$

0 - 5 V DC: $\geq 1 \text{ k}\Omega$

1 - 5 V DC: $\geq 1 \text{ k}\Omega$

■ Open Collector

Energy count output

Max. rated load: 130 V DC @ 50 mA

Continuous rated load: 130 V DC @ 30 mA

Saturation voltage: 1.5 V DC

When driving an inductive load, external contact protection and noise quenching recommended.

INSTALLATION

Power input

• AC: $< 20 \text{ VA}$

• DC: $< 9 \text{ W}$

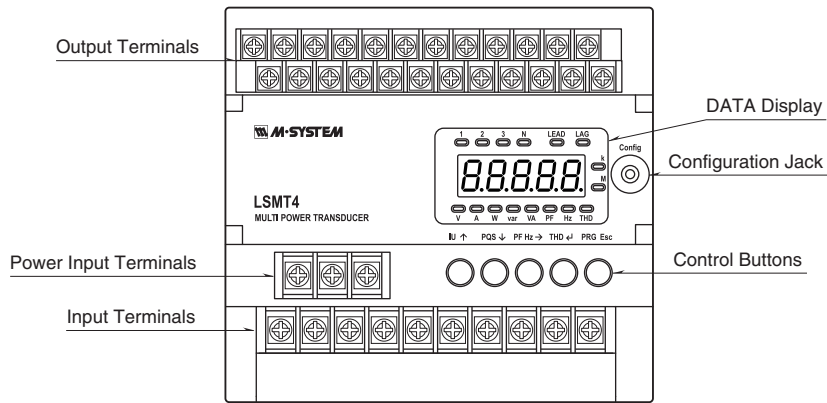
Operating temperature: -10 to +55°C (14 to 131°F)

Operating humidity: 30 to 90 %RH (non-condensing)

Mounting: Surface or DIN rail

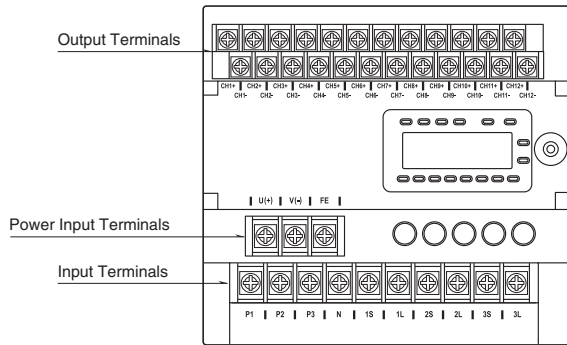


EXTERNAL VIEW

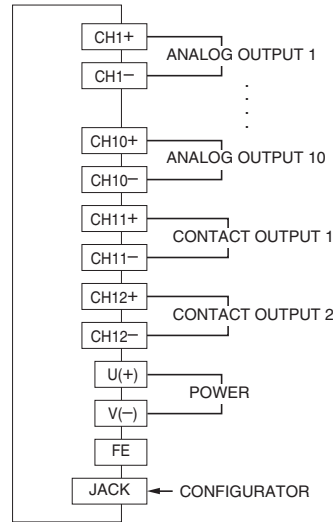


TERMINAL CONNECTIONS

■ TERMINAL ASSIGNMENT



■ ELECTRICAL CONNECTION

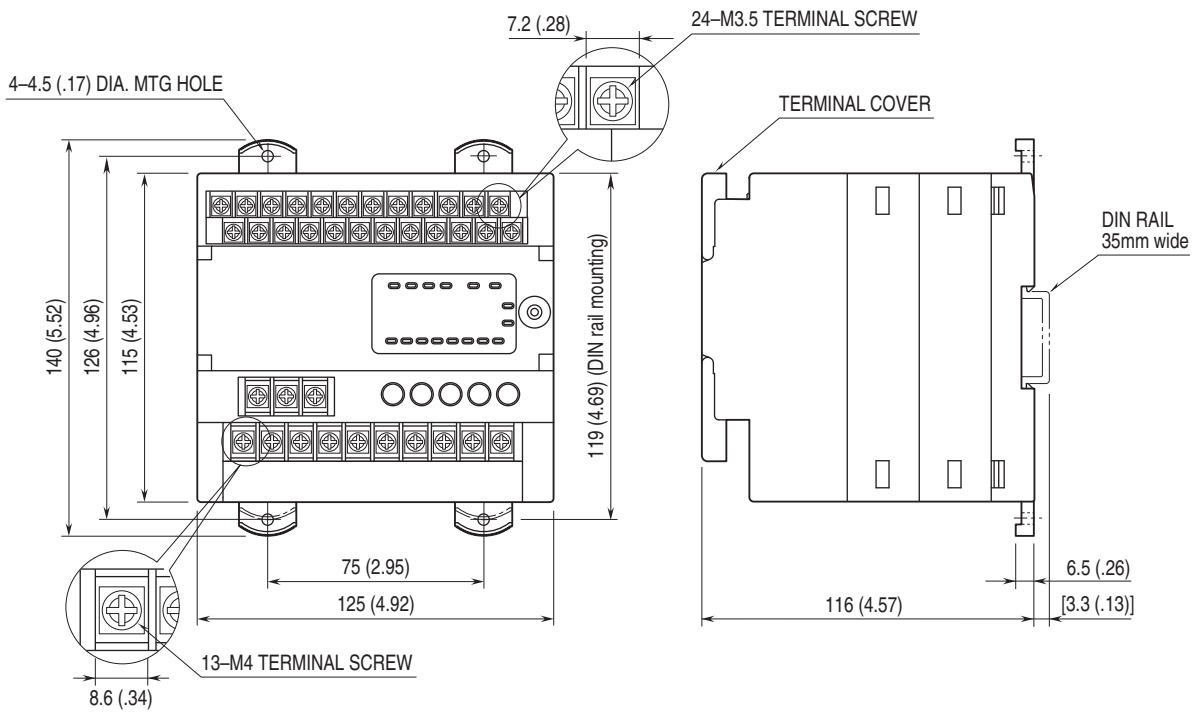


System / Application	Terminal
Three phase / 3-wire, unbalanced load	
Single phase / 2-wire	
Three phase / 4-wire, balanced load	
Three phase / 3-wire, balanced load	
Three phase / 4-wire, unbalanced load	
Single phase / 3-wire	



MODEL: LSMT4

DIMENSIONS unit: mm (inch)



Specifications are subject to change without notice.



幸託有限公司
XIN TOP CORPORATION

TEL : (02)2598-1199
FAX : (02)2596-2331

E-mail : info@xintop.com
Website : www.xintop.com