

## Plug-in Signal Conditioners M-UNIT

### LIMITER

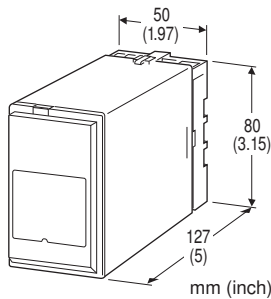
(3-port isolation)

#### Functions & Features

- Preventing DC output signals from going above or below preset values
- High and low limits independently adjustable over entire range
- Monitor jacks provided for setpoint adjustments
- Isolation up to 2000 V AC
- High-density mounting

#### Typical Applications

- Securing the minimum fuel flow in a combustion control loop



## MODEL: LMS-[1][2]-[3][4]

### ORDERING INFORMATION

- Code number: LMS-[1][2]-[3][4]  
Specify a code from below for each [1] through [4].  
(e.g. LMS-6A-B/Q)
- Special input and output ranges (For codes Z & 0)
- Specify the specification for option code /Q  
(e.g. /C01/S01)

### [1] INPUT

#### Current

- A: 4 - 20 mA DC (Input resistance 250  $\Omega$ )
- A1: 4 - 20 mA DC (Input resistance 50  $\Omega$ )
- B: 2 - 10 mA DC (Input resistance 500  $\Omega$ )
- C: 1 - 5 mA DC (Input resistance 1000  $\Omega$ )
- D: 0 - 20 mA DC (Input resistance 50  $\Omega$ )
- E: 0 - 16 mA DC (Input resistance 62.5  $\Omega$ )
- F: 0 - 10 mA DC (Input resistance 100  $\Omega$ )
- G: 0 - 1 mA DC (Input resistance 1000  $\Omega$ )
- H: 10 - 50 mA DC (Input resistance 100  $\Omega$ )
- J: 0 - 10  $\mu$ A DC (Input resistance 1000  $\Omega$ )
- K: 0 - 100  $\mu$ A DC (Input resistance 1000  $\Omega$ )

GW: -1 - +1 mA DC (Input resistance 1000  $\Omega$ )

FW: -10 - +10 mA DC (Input resistance 100  $\Omega$ )

Z: Specify current (See INPUT SPECIFICATIONS)

#### Voltage

- 1: 0 - 10 mV DC (Input resistance 10 k $\Omega$  min.)
- 15: 0 - 50 mV DC (Input resistance 10 k $\Omega$  min.)
- 16: 0 - 60 mV DC (Input resistance 10 k $\Omega$  min.)
- 2: 0 - 100 mV DC (Input resistance 100 k $\Omega$  min.)
- 3: 0 - 1 V DC (Input resistance 1 M $\Omega$  min.)
- 4: 0 - 10 V DC (Input resistance 1 M $\Omega$  min.)
- 5: 0 - 5 V DC (Input resistance 1 M $\Omega$  min.)
- 6: 1 - 5 V DC (Input resistance 1 M $\Omega$  min.)
- 4W: -10 - +10 V DC (Input resistance 1 M $\Omega$  min.)
- 5W: -5 - +5 V DC (Input resistance 1 M $\Omega$  min.)
- 0: Specify voltage (See INPUT SPECIFICATIONS)

### [2] OUTPUT

#### Current

- A: 4 - 20 mA DC (Load resistance 750  $\Omega$  max.)
- B: 2 - 10 mA DC (Load resistance 1500  $\Omega$  max.)
- C: 1 - 5 mA DC (Load resistance 3000  $\Omega$  max.)
- D: 0 - 20 mA DC (Load resistance 750  $\Omega$  max.)
- E: 0 - 16 mA DC (Load resistance 900  $\Omega$  max.)
- F: 0 - 10 mA DC (Load resistance 1500  $\Omega$  max.)
- G: 0 - 1 mA DC (Load resistance 15 k $\Omega$  max.)
- Z: Specify current (See OUTPUT SPECIFICATIONS)

#### Voltage

- 1: 0 - 10 mV DC (Load resistance 10 k $\Omega$  min.)
- 2: 0 - 100 mV DC (Load resistance 100 k $\Omega$  min.)
- 3: 0 - 1 V DC (Load resistance 100  $\Omega$  min.)
- 4: 0 - 10 V DC (Load resistance 1000  $\Omega$  min.)
- 5: 0 - 5 V DC (Load resistance 500  $\Omega$  min.)
- 6: 1 - 5 V DC (Load resistance 500  $\Omega$  min.)
- 4W: -10 - +10 V DC (Load resistance 2000  $\Omega$  min.)
- 5W: -5 - +5 V DC (Load resistance 1000  $\Omega$  min.)
- 0: Specify voltage (See OUTPUT SPECIFICATIONS)

### [3] POWER INPUT

#### AC Power

- B: 100 V AC
- C: 110 V AC
- D: 115 V AC
- F: 120 V AC
- G: 200 V AC
- H: 220 V AC
- J: 240 V AC

#### DC Power

- S: 12 V DC
- R: 24 V DC
- V: 48 V DC
- P: 110 V DC



**[4] OPTIONS**

blank: none

/Q: With options (specify the specification)

**SPECIFICATIONS OF OPTION: Q (multiple selections)****COATING (For the detail, refer to M-System's web site.)**

/C01: Silicone coating

/C02: Polyurethane coating

/C03: Rubber coating

**TERMINAL SCREW MATERIAL**

/S01: Stainless steel

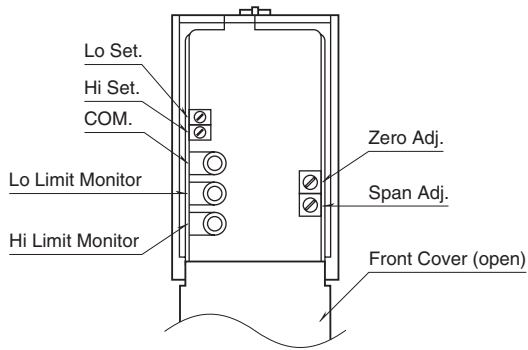
**GENERAL SPECIFICATIONS****Construction:** Plug-in**Connection:** M3.5 screw terminals**Screw terminal:** Chromated steel (standard) or stainless steel**Housing material:** Flame-resistant resin (black)**Isolation:** Input to output to power**Overrange output:** Approx. -5 to +105 % at 1 - 5 V**Zero adjustment:** -5 to +5 % (front)**Span adjustment:** 95 to 105 % (front)**Limit adjustments:** Multi-turn screwdriver adjustments (front); 0 - 100 %; factory set to 0 % for low, 100 % for high**Monitor output:** 0 - 10 V for 0 - 100 % limit**Monitor jacks:** 2 mm (.08") dia.**INPUT SPECIFICATIONS****■ DC Current:**

Shunt resistor attached to the input terminals (0.5 W)

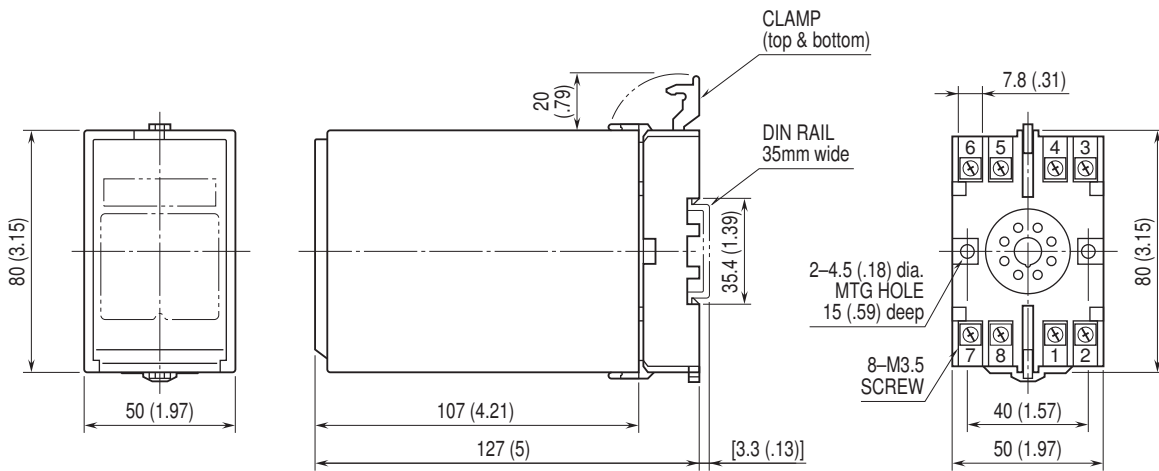
Specify input resistance value for code Z.

**■ DC Voltage:** -300 - +300 V DC**Minimum span:** 3 mV**Offset:** Max. 1.5 times span**Input resistance**Span 3 - 10 mV :  $\geq 10 \text{ k}\Omega$ Span 10 - 100 mV :  $\geq 10 \text{ k}\Omega$ Span 0.1 - 1 V :  $\geq 100 \text{ k}\Omega$ Span  $\geq 1 \text{ V}$  :  $\geq 1 \text{ M}\Omega$ **OUTPUT SPECIFICATIONS****■ DC Current:** 0 - 20 mA DC**Minimum span:** 1 mA**Offset:** Max. 1.5 times span**Load resistance:** Output drive 15 V max.**■ DC Voltage:** -10 - +12 V DC**Minimum span:** 5 mV**Offset:** Max. 1.5 times span**Load resistance:** Output drive 10 mA max.; 5 mA for negative voltage output; at  $\geq 0.5 \text{ V}$ **INSTALLATION****Power input**•**AC:** Operational voltage range: rating  $\pm 10 \%$ , 50/60  $\pm 2$  Hz, approx. 2 VA•**DC:** Operational voltage range: rating  $\pm 10 \%$ , or 85 - 150 V for 110 V rating (ripple 10 % p-p max.) approx. 2 W (90 mA at 24 V)**Operating temperature:** -5 to +60°C (23 to 140°F)**Operating humidity:** 30 to 90 %RH (non-condensing)**Mounting:** Surface or DIN rail**Weight:** 300 g (0.66 lb)**PERFORMANCE in percentage of span****Accuracy:**  $\pm 0.1 \%$ **Limit monitor accuracy:**  $\pm 0.25 \%$ **Temp. coefficient:**  $\pm 0.015 \%/^{\circ}\text{C}$  ( $\pm 0.008 \%/^{\circ}\text{F}$ )**Response time:**  $\leq 0.5 \text{ sec.}$  (0 - 90 %)**Line voltage effect:**  $\pm 0.1 \%$  over voltage range**Insulation resistance:**  $\geq 100 \text{ M}\Omega$  with 500 V DC**Dielectric strength:** 2000 V AC @1 minute (input to output to power to ground)

## EXTERNAL VIEW

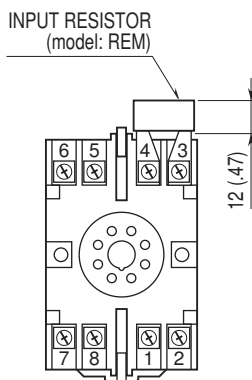


## DIMENSIONS unit: mm (inch)



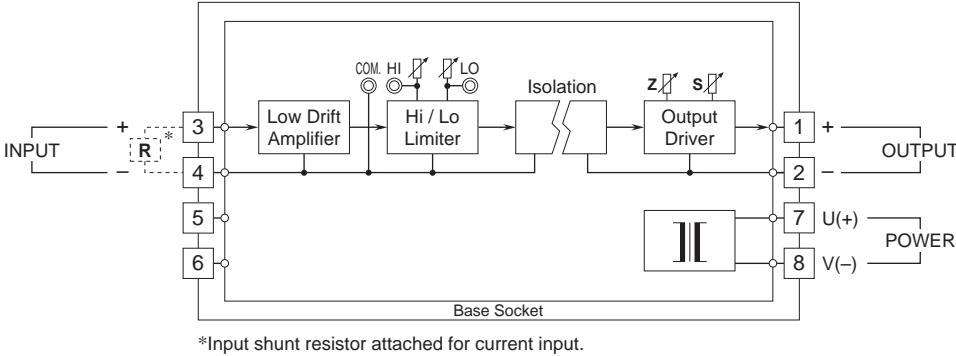
• When mounting, no extra space is needed between units.

## TERMINAL ASSIGNMENTS unit: mm (inch)



Input shunt resistor attached for current input.

**SCHEMATIC CIRCUITRY & CONNECTION DIAGRAM**



Specifications are subject to change without notice.

