

Plug-in Signal Conditioners K-UNIT

J: 240 V AC

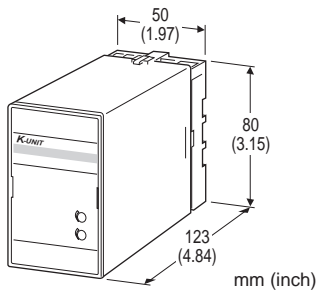
ISOLATOR

Functions & Features

- Standard instrumentation signal isolator
- Isolation up to 2000 V AC
- High-density mounting

Typical Applications

- Isolation between control room and field instrumentation



MODEL: KYV-[1][2]-[3][4]

ORDERING INFORMATION

- Code number: KYV-[1][2]-[3][4]
- Specify a code from below for each [1] through [4]. (e.g. KYV-6A-B/Q)
- Specify the specification for option code /Q (e.g. /C01/S01)

[1] INPUT

Current

A: 4 - 20 mA DC (Input resistance 250 Ω)

Voltage

6: 1 - 5 V DC (Input resistance 1 MΩ min.)

[2] OUTPUT

Current

A: 4 - 20 mA DC (Load resistance 750 Ω max.)

Voltage

6: 1 - 5 V DC (Load resistance 500 Ω min.)

[3] POWER INPUT

AC Power

- B: 100 V AC
- C: 110 V AC
- D: 115 V AC
- F: 120 V AC
- G: 200 V AC
- H: 220 V AC

[4] OPTIONS

- blank: none
- /Q: With options (specify the specification)

SPECIFICATIONS OF OPTION: Q (multiple selections)

COATING (For the detail, refer to M-System's web site.)

- /C01: Silicone coating
- /C02: Polyurethane coating
- /C03: Rubber coating

TERMINAL SCREW MATERIAL

- /S01: Stainless steel

GENERAL SPECIFICATIONS

- Construction:** Plug-in
- Connection:** M3.5 screw terminals
- Screw terminal:** Chromated steel (standard) or stainless steel
- Housing material:** Flame-resistant resin (black)
- Isolation:** Input to output to power
- Overrange output:** Approx. -10 to +120 % at 1 - 5 V
- Zero adjustment:** -5 to +5 % (front)
- Span adjustment:** 95 to 105 % (front)

INPUT SPECIFICATIONS

- **DC Current:**
- Shunt resistor attached to the input terminals (0.5 W)

INSTALLATION

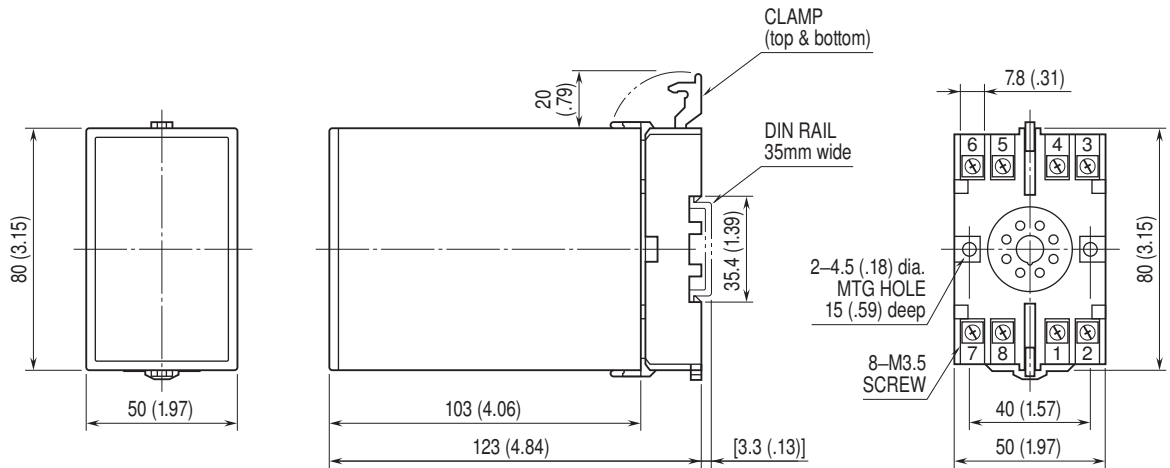
- Power input**
- **AC:** Operational voltage range: rating ±10 %, 50/60 ±2 Hz, approx. 2 VA
- Operating temperature:** -5 to +55°C (23 to 131°F)
- Operating humidity:** 30 to 90 %RH (non-condensing)
- Mounting:** Surface or DIN rail
- Weight:** 400 g (0.88 lb)

PERFORMANCE in percentage of span

- Accuracy:** ±0.1 %
- Temp. coefficient:** ±0.02 %/°C (±0.01 %/°F)
- Response time:** ≤ 0.5 sec. (0 - 90 %)
- Line voltage effect:** ±0.1 % over voltage range
- Insulation resistance:** ≥ 100 MΩ with 500 V DC
- Dielectric strength:** 2000 V AC @1 minute (input to output to power to ground)

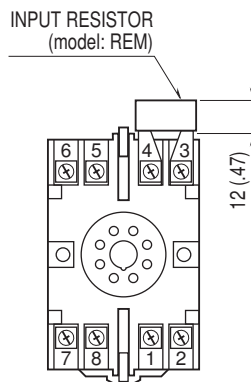


DIMENSIONS unit: mm (inch)



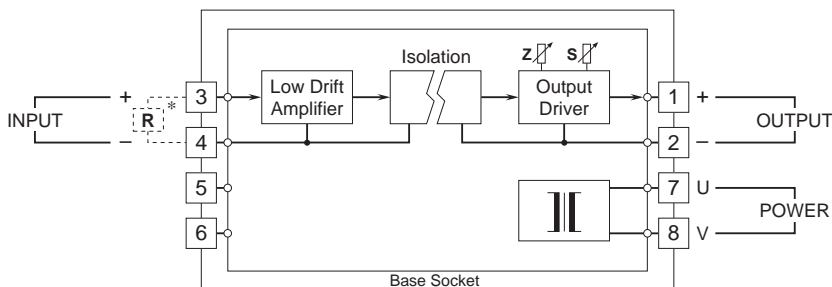
• When mounting, no extra space is needed between units.

TERMINAL ASSIGNMENTS unit: mm (inch)



Input shunt resistor attached for current input.

SCHEMATIC CIRCUITRY & CONNECTION DIAGRAM



*Input shunt resistor attached for current input.



Specifications are subject to change without notice.