

**Plug-in Signal Conditioners K-UNIT**

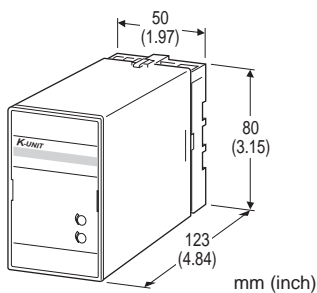
**TACHOGENERATOR TRANSMITTER**

**Functions & Features**

- Converting an AC voltage from a tachogenerator (tachometer) into a standard process signal
- Wide input range
- Isolation up to 2000 V AC
- High-density mounting

**Typical Applications**

- Measuring rotating or moving speed of multispeed motors, belt conveyers, metering pumps



**MODEL: KTG-[1][2]-[3][4]**

**ORDERING INFORMATION**

- Code number: KTG-[1][2]-[3][4]
- Specify a code from below for each [1] through [4]. (e.g. KTG-AA-B/Q)
- Special input and output ranges (For codes U, Z & 0)
- Specify the specification for option code /Q (e.g. /C01/S01)

**[1] INPUT**

**Voltage**

- 1: 0 - 35 V AC (Input resistance 100 kΩ min.)
- 2: 0 - 50 mV AC (Input resistance 100 kΩ min.)
- 3: 0 - 60 mV AC (Input resistance 100 kΩ min.)
- 4: 0 - 100 mV AC (Input resistance 100 kΩ min.)
- 5: 0 - 1 V AC (Input resistance 100 kΩ min.)
- 6: 0 - 10 V AC (Input resistance 100 kΩ min.)
- 7: 0 - 100 V AC (Input resistance 100 kΩ min.)
- 8: 0 - 110 V AC (Input resistance 100 kΩ min.)
- 9: 0 - 150 V AC (Input resistance 100 kΩ min.)
- A: 0 - 200 V AC (Input resistance 100 kΩ min.)
- B: 0 - 250 V AC (Input resistance 100 kΩ min.)
- U: Specify voltage (See INPUT SPECIFICATIONS)
- (0 % input must be 0 V.)

**[2] OUTPUT**

**Current**

- A: 4 - 20 mA DC (Load resistance 750 Ω max.)
- B: 2 - 10 mA DC (Load resistance 1500 Ω max.)
- C: 1 - 5 mA DC (Load resistance 3000 Ω max.)
- D: 0 - 20 mA DC (Load resistance 750 Ω max.)
- E: 0 - 16 mA DC (Load resistance 900 Ω max.)
- F: 0 - 10 mA DC (Load resistance 1500 Ω max.)
- G: 0 - 1 mA DC (Load resistance 15 kΩ max.)
- Z: Specify current (See OUTPUT SPECIFICATIONS)

**Voltage**

- 1: 0 - 10 mV DC (Load resistance 10 kΩ min.)
- 2: 0 - 100 mV DC (Load resistance 100 kΩ min.)
- 3: 0 - 1 V DC (Load resistance 100 Ω min.)
- 4: 0 - 10 V DC (Load resistance 1000 Ω min.)
- 5: 0 - 5 V DC (Load resistance 500 Ω min.)
- 6: 1 - 5 V DC (Load resistance 500 Ω min.)
- 4W: -10 - +10 V DC (Load resistance 2000 Ω min.)
- 5W: -5 - +5 V DC (Load resistance 1000 Ω min.)
- 0: Specify voltage (See OUTPUT SPECIFICATIONS)

**[3] POWER INPUT**

**AC Power**

- B: 100 V AC
- C: 110 V AC
- D: 115 V AC
- F: 120 V AC
- G: 200 V AC
- H: 220 V AC
- J: 240 V AC

**DC Power**

- S: 12 V DC
- R: 24 V DC

**[4] OPTIONS**

**Other Options**

- blank: none
- /Q: With options (specify the specification)

**SPECIFICATIONS OF OPTION: Q (multiple selections)**

**COATING (For the detail, refer to M-System's web site.)**

- /C01: Silicone coating
- /C02: Polyurethane coating
- /C03: Rubber coating

**TERMINAL SCREW MATERIAL**

- /S01: Stainless steel

**GENERAL SPECIFICATIONS**

- Construction: Plug-in
- Connection: M3.5 screw terminals



**Screw terminal:** Chromated steel (standard) or stainless steel

**Housing material:** Flame-resistant resin (black)

**Isolation:** Input to output to power

**Overrange output:** 0 to 120 % at 1 - 5 V

**Zero adjustment:** -5 to +5 % (front)

**Span adjustment:** 95 to 105 % (front)

## INPUT SPECIFICATIONS

• **AC Voltage:** 0 - 250 V AC

**Minimum span:** 50 mV

**Frequency:** 15 Hz min., 1 kHz max. with 100 % input

**Input resistance:**  $\geq 100 \text{ k}\Omega$

## OUTPUT SPECIFICATIONS

■ **DC Current:** 0 - 20 mA DC

**Minimum span:** 1 mA

**Offset:** Max. 1.5 times span

**Load resistance:** Output drive 15 V max.

■ **DC Voltage:** -10 - +12 V DC

**Minimum span:** 5 mV

**Offset:** Max. 1.5 times span

**Load resistance:** Output drive 10 mA max.; 5 mA for negative voltage output; at  $\geq 0.5 \text{ V}$

## INSTALLATION

**Power input**

• **AC:** Operational voltage range: rating  $\pm 10 \%$ ,  
50/60  $\pm 2$  Hz, approx. 2 VA

• **DC:** Operational voltage range: rating  $\pm 10 \%$ ,  
ripple 10 %p-p max., approx. 2 W (80 mA at 24 V)

**Operating temperature:** -5 to +55°C (23 to 131°F)

**Operating humidity:** 30 to 90 %RH (non-condensing)

**Mounting:** Surface or DIN rail

**Weight:** 450 g (0.99 lb)

## PERFORMANCE in percentage of span

**Accuracy:**  $\pm 0.4 \%$

**Temp. coefficient:**  $\pm 0.05 \%/^{\circ}\text{C}$  ( $\pm 0.03 \%/^{\circ}\text{F}$ )

**Response time:**  $\leq 0.7$  sec. (0 - 90 %)

**Ripple:** 0.5 %p-p max.

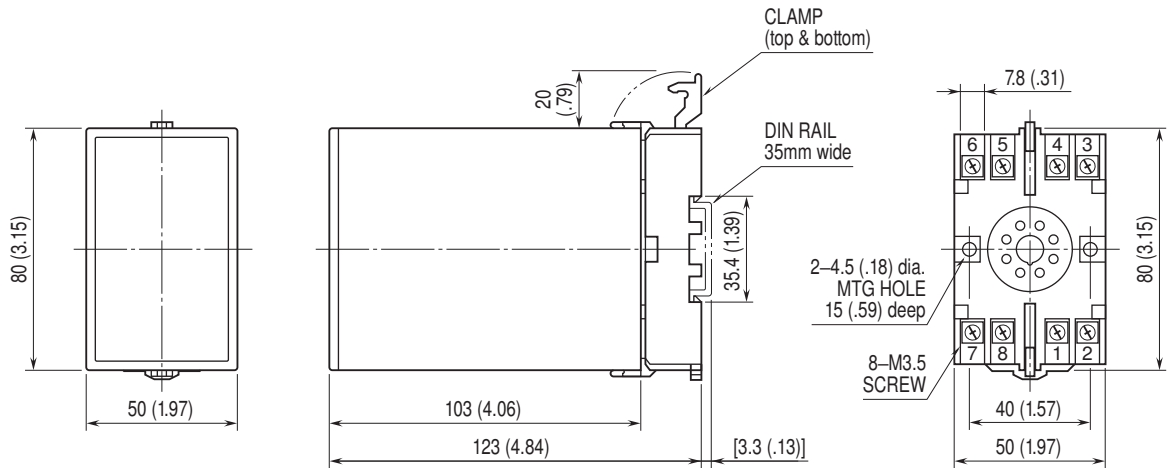
**Line voltage effect:**  $\pm 0.1 \%$  over voltage range

**Insulation resistance:**  $\geq 100 \text{ M}\Omega$  with 500 V DC

**Dielectric strength:** 2000 V AC @1 minute (input to output to power to ground)

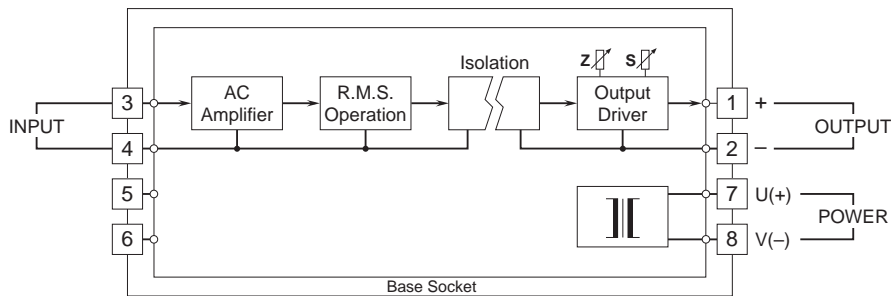


## DIMENSIONS unit: mm (inch)



• When mounting, no extra space is needed between units.

## SCHEMATIC CIRCUITRY & CONNECTION DIAGRAM



Specifications are subject to change without notice.