

## Space-saving Plug-in Signal Conditioners F-UNIT

### LIMITER

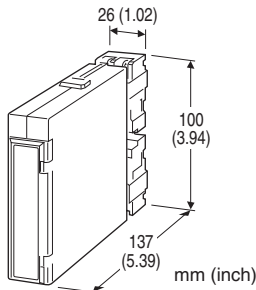
(isolated)

#### Functions & Features

- Preventing DC output signals from going above or below preset values
- High and low limits independently adjustable over entire range
- Monitor jacks provided for setpoint adjustments
- High-density mounting

#### Typical Applications

- Securing the minimum fuel flow in a combustion control loop



## MODEL: FLMS-[1][2]-[3]

### ORDERING INFORMATION

- Code number: FLMS-[1][2]-[3]
- Specify a code from below for each [1] through [3] (e.g. FLMS-6A-L)
- Special input and output ranges (For codes Z & 0)

### [1] INPUT

#### Current

- A: 4 - 20 mA DC (Input resistance 250 Ω)
- A1: 4 - 20 mA DC (Input resistance 50 Ω)
- B: 2 - 10 mA DC (Input resistance 500 Ω)
- C: 1 - 5 mA DC (Input resistance 1000 Ω)
- D: 0 - 20 mA DC (Input resistance 50 Ω)
- E: 0 - 16 mA DC (Input resistance 62.5 Ω)
- F: 0 - 10 mA DC (Input resistance 100 Ω)
- G: 0 - 1 mA DC (Input resistance 1000 Ω)
- H: 10 - 50 mA DC (Input resistance 100 Ω)
- J: 0 - 10 μA DC (Input resistance 1000 Ω)
- K: 0 - 100 μA DC (Input resistance 1000 Ω)
- GW: -1 - +1 mA DC (Input resistance 1000 Ω)
- FW: -10 - +10 mA DC (Input resistance 100 Ω)
- Z: Specify current (See INPUT SPECIFICATIONS)

### Voltage

- 1: 0 - 10 mV DC (Input resistance 10 kΩ min.)
- 15: 0 - 50 mV DC (Input resistance 10 kΩ min.)
- 16: 0 - 60 mV DC (Input resistance 10 kΩ min.)
- 2: 0 - 100 mV DC (Input resistance 100 kΩ min.)
- 3: 0 - 1 V DC (Input resistance 1 MΩ min.)
- 4: 0 - 10 V DC (Input resistance 1 MΩ min.)
- 5: 0 - 5 V DC (Input resistance 1 MΩ min.)
- 6: 1 - 5 V DC (Input resistance 1 MΩ min.)
- 4W: -10 - +10 V DC (Input resistance 1 MΩ min.)
- 5W: -5 - +5 V DC (Input resistance 1 MΩ min.)
- 0: Specify voltage (See INPUT SPECIFICATIONS)

### [2] OUTPUT

#### Current

- A: 4 - 20 mA DC (Load resistance 750 Ω max.)
- B: 2 - 10 mA DC (Load resistance 1500 Ω max.)
- C: 1 - 5 mA DC (Load resistance 3000 Ω max.)
- D: 0 - 20 mA DC (Load resistance 750 Ω max.)
- E: 0 - 16 mA DC (Load resistance 900 Ω max.)
- F: 0 - 10 mA DC (Load resistance 1500 Ω max.)
- G: 0 - 1 mA DC (Load resistance 15 kΩ max.)
- Z: Specify current (See OUTPUT SPECIFICATIONS)

#### Voltage

- 1: 0 - 10 mV DC (Load resistance 10 kΩ min.)
- 2: 0 - 100 mV DC (Load resistance 100 kΩ min.)
- 3: 0 - 1 V DC (Load resistance 1000 Ω min.)
- 4: 0 - 10 V DC (Load resistance 10 kΩ min.)
- 5: 0 - 5 V DC (Load resistance 5000 Ω min.)
- 6: 1 - 5 V DC (Load resistance 5000 Ω min.)
- 4W: -10 - +10 V DC (Load resistance 10 kΩ min.)
- 5W: -5 - +5 V DC (Load resistance 5000 Ω min.)
- 0: Specify voltage (See OUTPUT SPECIFICATIONS)

### [3] POWER INPUT

#### AC Power

- K: 85 - 132 V AC  
(Operational voltage range 85 - 132 V, 47 - 66 Hz)
- L: 170 - 264 V AC  
(Operational voltage range 170 - 264 V, 47 - 66 Hz)

#### DC Power

- R: 24 V DC  
(Operational voltage range 24 V ±10 %, ripple 10 %p-p max.)
- P: 110 V DC  
(Operational voltage range 85 - 150 V, ripple 10 %p-p max.)

### GENERAL SPECIFICATIONS

- Construction:** Plug-in
- Connection:** M3.5 screw terminals (torque 0.8 N·m)
- Screw terminal:** Nickel-plated steel
- Housing material:** Flame-resistant resin (black)



**Isolation:** Input to output to power  
**Overrange output:** Approx. -5 to +105 % at 1 - 5 V  
**Zero adjustment:** -5 to +5 % (front)  
**Span adjustment:** 95 to 105 % (front)  
**Limit adjustments:** Multi-turn screwdriver adjustments (front); 0 - 100 %; factory set to 0 % for low, 100 % for high  
**Monitor output:** 0 - 10 V for 0 - 100 % limit  
**Monitor jacks:** 2 mm (.08") dia.

## Dielectric strength

### Power input code R:

1000 V AC @ 1 minute (input to output)  
2000 V AC @ 1 minute (input or output or power to ground)  
500 V AC @ 1 minute (I/O to power)

### Power input code K, L, P:

1000 V AC @ 1 minute (input to output)  
2000 V AC @ 1 minute (input or output or power to ground)  
1500 V AC @ 1 minute (I/O to power)

## INPUT SPECIFICATIONS

### ■ DC Current:

Shunt resistor attached to the input terminals (0.5 W)  
Specify input resistance value for code Z.

### ■ DC Voltage: -300 - +300 V DC

**Minimum span:** 3 mV

**Offset:** Max. 1.5 times span

### Input resistance

Span 3 - 10 mV :  $\geq 10 \text{ k}\Omega$

Span 10 - 100 mV :  $\geq 10 \text{ k}\Omega$

Span 0.1 - 1 V :  $\geq 100 \text{ k}\Omega$

Span  $\geq 1 \text{ V}$  :  $\geq 1 \text{ M}\Omega$

## OUTPUT SPECIFICATIONS

### ■ DC Current: 0 - 20 mA DC

**Minimum span:** 1 mA

**Offset:** Max. 1.5 times span

**Load resistance:** Output drive 15 V max.

### ■ DC Voltage: -10 - +12 V DC

**Minimum span:** 5 mV

**Offset:** Max. 1.5 times span

**Load resistance:** Output drive 1 mA max.; at  $\geq 0.5 \text{ V}$

## INSTALLATION

### Power input

•AC: Approx. 4.5 VA

•DC: 24 V approx. 70 mA

110 V approx. 20 mA

**Operating temperature:** -5 to +55°C (23 to 131°F)

**Operating humidity:** 30 to 90 %RH (non-condensing)

**Mounting:** Surface or DIN rail; Standard Rack Mounting

Frame BX-16H available

**Weight:** 200 g (0.44 lbs)

## PERFORMANCE in percentage of span

**Accuracy:**  $\pm 0.1 \%$

**Limit monitor accuracy:**  $\pm 0.25 \%$

**Temp. coefficient:**  $\pm 0.015 \%/^{\circ}\text{C}$  ( $\pm 0.008 \%/^{\circ}\text{F}$ )

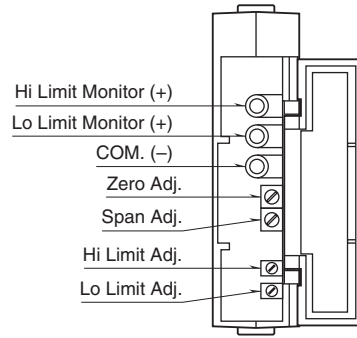
**Response time:**  $\leq 0.5 \text{ sec.}$  (0 - 90 %)

**Line voltage effect:**  $\pm 0.1 \%$  over voltage range

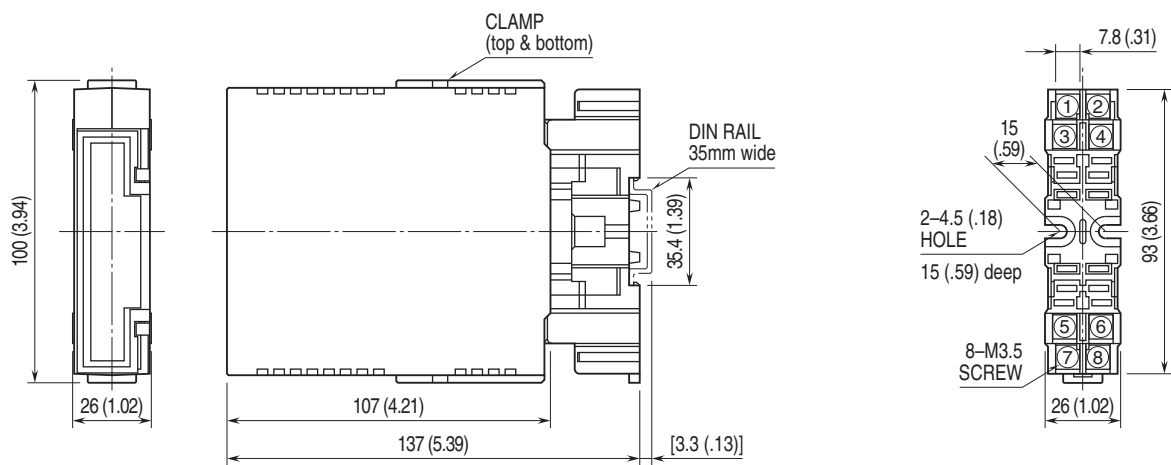
**Insulation resistance:**  $\geq 100 \text{ M}\Omega$  with 500 V DC



## EXTERNAL VIEW

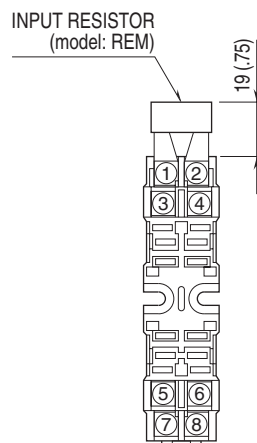


## DIMENSIONS unit: mm (inch)



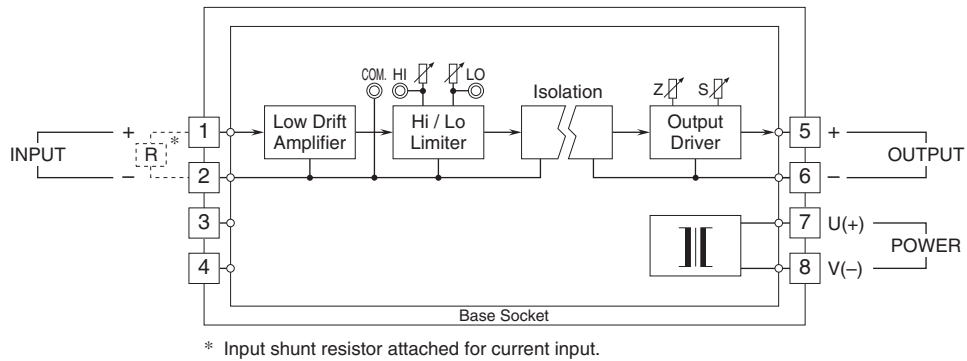
•When mounting, no extra space is needed between units.

## TERMINAL ASSIGNMENTS unit: mm (inch)



Input shunt resistor attached for current input.

**SCHEMATIC CIRCUITRY & CONNECTION DIAGRAM**



Specifications are subject to change without notice.

