

CABLE (with FCN connectors)

(40-pin to 40-pin, shielded)

MODEL: FCN-[1]

ORDERING INFORMATION

- Code number: FCN-[1]
- Specify a code from below for [1].
(e.g. FCN-10)

[1] CABLE LENGTH

- 00: Connector × 2 (without cable)
- 03: Cable with connectors at both ends L = 30 cm
- 05: Cable with connectors at both ends L = 50 cm
- 10: Cable with connectors at both ends L = 1 m
- 20: Cable with connectors at both ends L = 2 m

RELATED PRODUCTS

- Connector terminal block (model: CNT)

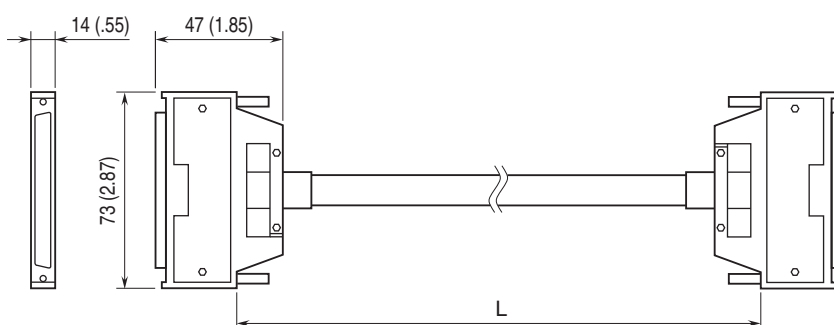
GENERAL SPECIFICATIONS

Connector model: FCN-361J040-AJ
Cover model: FCN-360C040-B
Cable: Shielded cable with 40 core cables

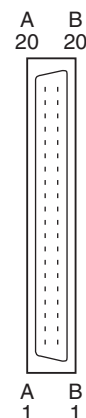
PERFORMANCE

Maximum current: 0.2 A
Dielectric strength: 500 V AC @ 1 minute

EXTERNAL DIMENSIONS & CONNECTOR PIN ASSIGNMENT mm (inch)



■ PIN ASSIGNMENT



MODEL	FCN-03	FCN-05	FCN-10	FCN-20
L	30 cm (11.81")	50 cm (19.69")	1 m (39.37")	2 m (78.74")



Specifications are subject to change without notice.



幸託有限公司
XIN TOP CORPORATION

TEL : (02)2598-1199

FAX : (02)2596-2331

E-mail : info@xintop.com

Website : www.xintop.com