

Plug-in Signal Conditioners M-UNIT

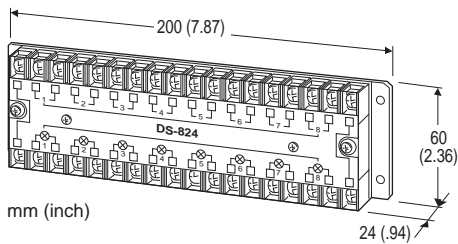
8-CH. CURRENT LOOP SUPPLY

Functions & Features

- Powering eight 4 - 20 mA DC current loops
- Supplying 24 V DC
- Space-saving 8-channel capacity
- Shortcircuit protection
- Smart transmitter applicable

Typical Applications

- Various two-wire transmitters



MODEL: DS-824-R

ORDERING INFORMATION

- Code number: (e.g. DS-824-R)

NO. OF CHANNELS

8: 8 points

SUPPLY OUTPUT

24: 24 V DC

POWER INPUT

DC Power

R: 24 V DC

GENERAL SPECIFICATIONS

Construction: Wall-mounted terminal block

Connection: M3.5 screw terminals

Number of loops: 8

SUPPLY OUTPUT

Output voltage: 15 - 21 V DC

= power input - [internal voltage drop + loss at the receiving resistor]

Current rating: \leq 22 mA DC

- Shortcircuit Protection

Current limited: 30 mA max.

Protected time duration: No limit

INPUT SPECIFICATIONS

- DC Current: 4 - 20 mA DC

Input resistance: 250 Ω resistor incorporated

OUTPUT SPECIFICATIONS

- DC voltage: 1 - 5 V DC

Load resistance: \geq 250 k Ω

INSTALLATION

Power input

- DC: 24 V DC \pm 10 % (ripple 10 % p-p max.)

[loop current + approx. 4 mA] per channel

Operating temperature: -5 to +60°C (23 to 140°F)

Operating humidity: 30 to 90 %RH (non-condensing)

Mounting: Surface

Weight: 380 g (0.84 lbs)

PERFORMANCE in percentage of span

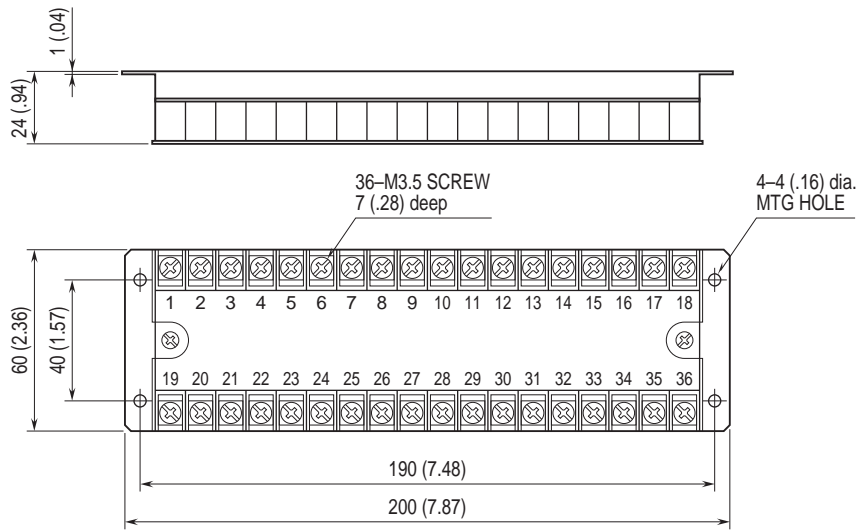
Accuracy: \pm 0.1 % (accuracy of the receiving resistor)

Temp. coefficient: \pm 0.003 %/°C (\pm 0.002 %/°F) (temp. coefficient of the receiving resistor)

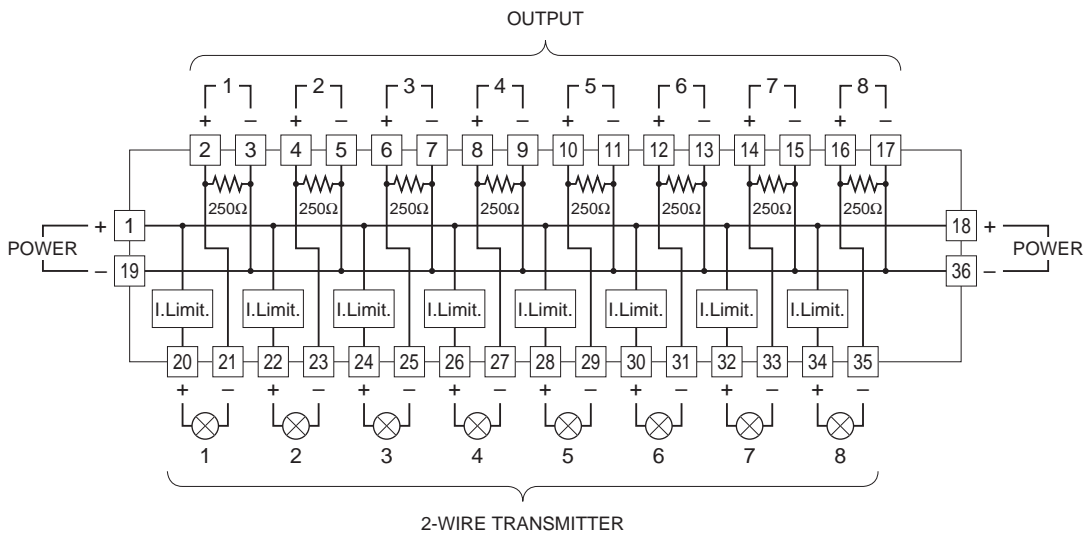
Line voltage effect to supply output: \pm 3 % over voltage range




DIMENSIONS unit: mm (inch)



SCHEMATIC CIRCUITRY & CONNECTION DIAGRAM



 Specifications are subject to change without notice.

