

Plug-in Signal Conditioners M-UNIT

CT TRANSMITTER

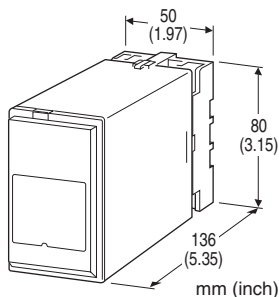
(true RMS sensing; high speed response; peak hold)

Functions & Features

- Converts an alternating current from a current transformer into a standard process signal
- Dual output: The second output can be switched to 'peak hold' mode with the front DIP switch
- Resetting the peak hold output with the front reset control button
- CT Protector provided for open-circuit protection
- True RMS sensing with fast 50-millisecond response time (0 - 90 %) is possible
- Isolation up to 2000 V AC

Typical Applications

- Monitoring impulsive power line voltage change



MODEL: CTPH-[1][2][3]-[4][5]

ORDERING INFORMATION

- Code number: CTPH-[1][2][3]-[4][5]
- Specify a code from below for each [1] through [5]. (e.g. CTPH-5AA-M2/Q)
- Specify the specification for option code /Q (e.g. /C01/S01)

[1] INPUT

Current

- 1: 0 - 1 A AC
- 5: 0 - 5 A AC

[2] OUTPUT 1

Current

- A: 4 - 20 mA DC (Load resistance 500 Ω max.)
- G: 0 - 1 mA DC (Load resistance 10 kΩ max.)

Voltage

- 4: 0 - 10 V DC (Load resistance 10 kΩ min.)

5: 0 - 5 V DC (Load resistance 5000 Ω min.)

6: 1 - 5 V DC (Load resistance 5000 Ω min.)

[3] OUTPUT 2 (momentary value or peak hold) Current

- A: 4 - 20 mA DC (Load resistance 350 Ω max.)
- G: 0 - 1 mA DC (Load resistance 7000 Ω max.)

Voltage

Same range availability as Output 1

[4] POWER INPUT

AC Power

M2: 100 - 240 V AC (Operational voltage range 85 - 264 V, 47 - 66 Hz)

DC Power

- R: 24 V DC (Operational voltage range 24 V ±10 %, ripple 10 %p-p max.)
- P: 110 V DC (Operational voltage range 85 - 150 V, ripple 10 %p-p max.)

[5] OPTIONS

- blank: none
- /Q: With options (specify the specification)

SPECIFICATIONS OF OPTION: Q (multiple selections)

COATING (For the detail, refer to M-System's web site.)

- /C01: Silicone coating
- /C02: Polyurethane coating
- /C03: Rubber coating

TERMINAL SCREW MATERIAL

- /S01: Stainless steel

GENERAL SPECIFICATIONS

- Construction:** Plug-in
- Connection:** M3.5 screw terminals
- Screw terminal:** Chromated steel (standard) or stainless steel
- Housing material:** Flame-resistant resin (black)
- Isolation:** Input to output 1 to output 2 to contact input to power
- Input waveform:** Up to 20 % of 3rd harmonic content
- Overrange output:** 0 to 120 % at 1 - 5 V
- Zero adjustment:** -5 to +5 % (front)
- Span adjustment:** 95 to 105 % (front)
- Indicator LED:** Red light blinks in 800 millisecond intervals when the power is supplied; blinks in 200 millisecond intervals when the peak hold output is reset.
- Function setting:** DIP switch
 - Output 2 Function (Momentary value output/Peak hold value output)



- Line Frequency
- Response Time

Reset control: Used to reset the peak hold output.
Momentary value is output immediately after the resetting.

INPUT SPECIFICATIONS

■ CURRENT INPUT

Frequency: 50 or 60 Hz

Input burden: ≤ 0.5 VA

Overload capacity: 500 % of rating for 5 seconds, 120 % continuous

Operational range: 0 - 120 % of rating

■ **Contact Input:** Used to reset the peak hold output.

Momentary value is output immediately after the resetting.

Detecting voltage/current: 15 V DC / approx. 2.5 mA

Detection levels: ≤ 5 k Ω , ≤ 6 V for ON;

≥ 100 k Ω , ≥ 14 V for OFF

INSTALLATION

Power Consumption

•AC:

Approx. 5 VA at 100 V

Approx. 6 VA at 200 V

Approx. 7 VA at 240 V

•DC: Approx. 3 W

Operating temperature: -5 to +60°C (23 to 140°F)

Operating humidity: 30 to 90 %RH (non-condensing)

Mounting: Surface or DIN rail

Weight: 240 g (0.53 lb)

PERFORMANCE in percentage of span

Accuracy: ± 0.5 %

Temp. coefficient: ± 0.03 %/°C (± 0.02 %/°F)

Response time: $\leq 50/100/200/500$ msec. (0 - 90 %)

Peak hold reset time: 20 msec.

Ripple: 0.5 %p-p max.

Line voltage effect: ± 0.1 % over voltage range

Insulation resistance: ≥ 100 M Ω with 500 V DC

Dielectric strength: 2000 V AC @ 1 minute

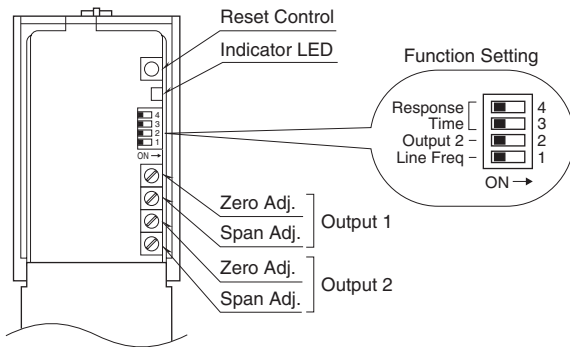
(input to output 1 or output 2 or contact input to power to ground)

500 V AC @ 1 minute (output 1 to output 2 to contact input)

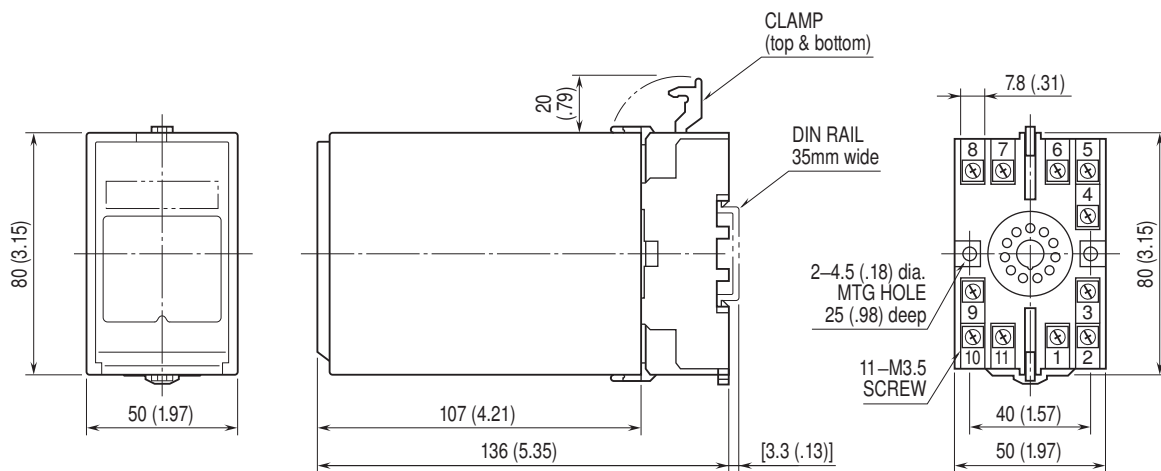
Impulse withstand voltage: 1.2/50 μ sec., ± 5 kV (input to output 1 or output 2 or contact input or ground)



EXTERNAL VIEW

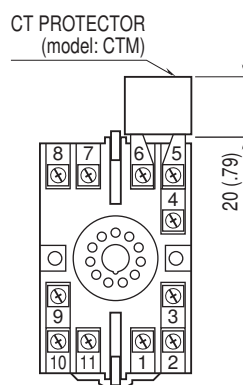


DIMENSIONS unit: mm (inch)

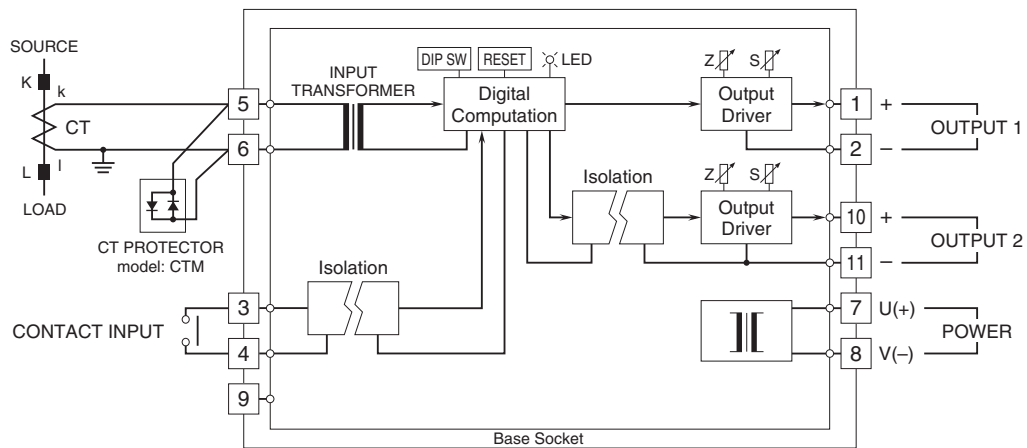


• When mounting, no extra space is needed between units.

TERMINAL ASSIGNMENTS unit: mm (inch)



SCHEMATIC CIRCUITRY & CONNECTION DIAGRAM



Specifications are subject to change without notice.

