

| | |
|---------------------------------|------------------|
| CONNECTOR TERMINAL BLOCK | MODEL CNT |
|---------------------------------|------------------|

MODEL & SUFFIX CODE SELECTION

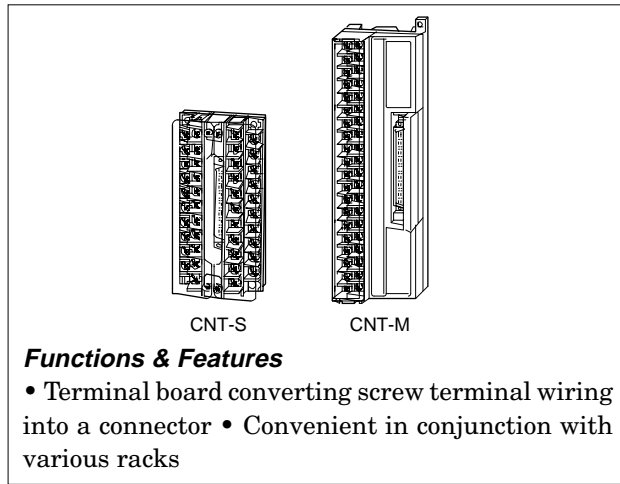
MODEL _____ CNT-□
S : 40 terminals (M4 screw)
M : 40 terminals (M3.5 screw)

ORDERING INFORMATION

Specify code number. (e.g. CNT-S)

SPECIFICATIONS

| | CNT-S | CNT-M |
|-----------------------|--|---------------------|
| Rating | 125V AC or DC, 1A | |
| Adaptable cable | 2 mm ² | |
| Screw terminals | M4 × 8 | M3.5 × 8 |
| Torque | 0.8 – 1.2 N·m | |
| Insulation resistance | ≥100MΩ with 500V DC | |
| Dielectric strength | 500V AC @1 min. (btwn battery sections) 1000V AC @1 min. (battery to gnd) | |
| Connector | FUJITSU 40-pin connector (FCN-364P040-AU) | |
| Operating temp. | -5 – +55°C (23 to 131°F) | |
| Operating humidity | 30 – 90% RH (non-condensing) | |
| Mounting | surface | surface or DIN rail |



SPECIAL CABLE

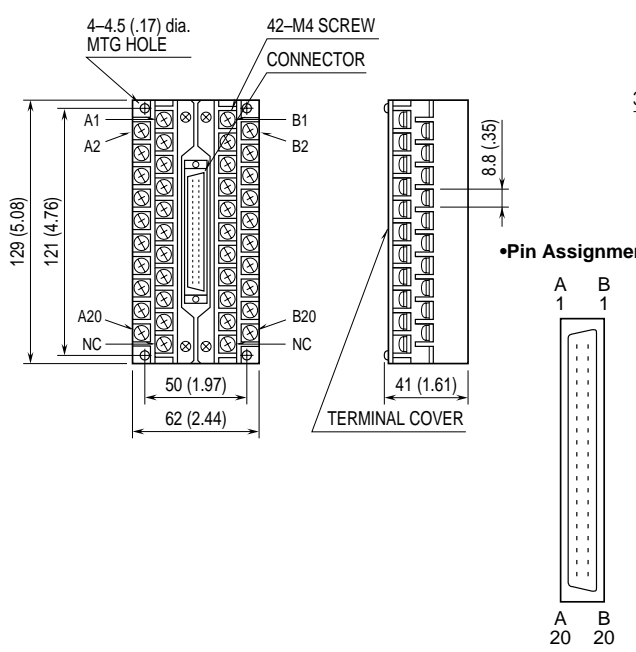
| MODEL | SPECIFICATIONS |
|----------|----------------------------------|
| 00 | Receiving connector |
| 03 | Cable with connectors L=30 cm |
| FCN – 05 | Cable with connectors L=50 cm |
| 10 | Cable with connectors L=1 meter |
| 20 | Cable with connectors L=2 meters |

Functions & Features

- Terminal board converting screw terminal wiring into a connector
- Convenient in conjunction with various racks

EXTERNAL DIMENSIONS mm (inch)

■CNT-S



■CNT-M

