

<b>CONNECTOR TERMINAL BLOCK</b>	MODEL <b>CNT</b>
---------------------------------	------------------

**MODEL & SUFFIX CODE SELECTION**

MODEL \_\_\_\_\_ CNT-□

**S** : 40 terminals (M4 screw)

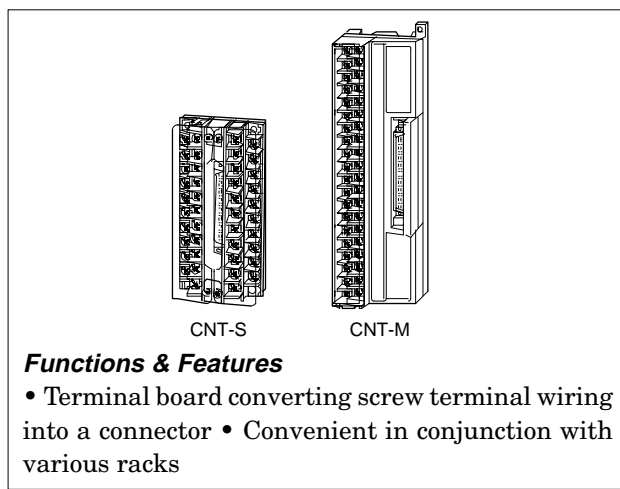
**M** : 40 terminals (M3.5 screw)

**ORDERING INFORMATION**

Specify code number. (e.g. CNT-S)

**SPECIFICATIONS**

	CNT-S	CNT-M
Rating	125V AC or DC, 1A	
Adaptable cable	2 mm <sup>2</sup>	
Screw terminals	M4 × 8	M3.5 × 8
Torque	0.8 – 1.2 N·m	
Insulation resistance	≥100MΩ with 500V DC	
Dielectric strength	500V AC @1 min. (btwn battery sections) 1000V AC @1 min. (battery to gnd)	
Connector	FUJITSU 40-pin connector (FCN-364P040-AU)	
Operating temp.	-5 – +55°C (23 to 131°F)	
Operating humidity	30 – 90% RH (non-condensing)	
Mounting	surface	surface or DIN rail

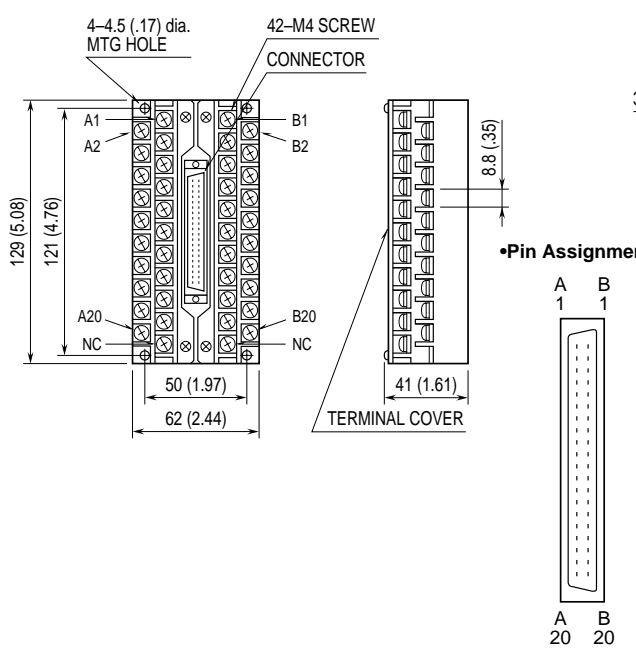


**SPECIAL CABLE**

MODEL	SPECIFICATIONS
00	Receiving connector
03	Cable with connectors L=30 cm
FCN – 05	Cable with connectors L=50 cm
10	Cable with connectors L=1 meter
20	Cable with connectors L=2 meters

**EXTERNAL DIMENSIONS mm (inch)**

■CNT-S



■CNT-M

