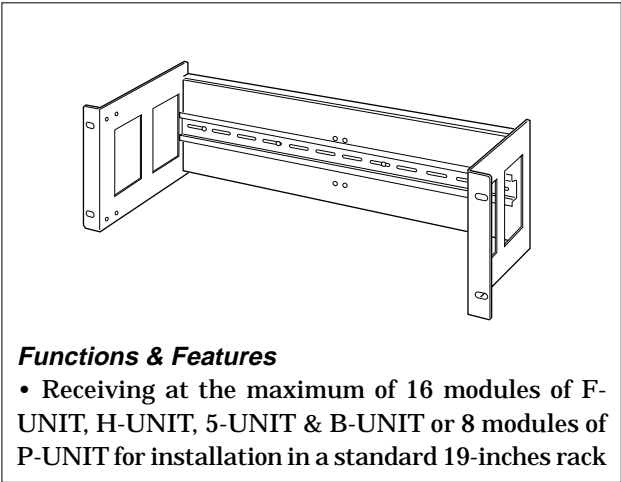


<b>STANDARD RACK MOUNTING FRAME</b>	MODEL <b>BX-16H</b>
-------------------------------------	---------------------

**MODEL & SUFFIX CODE SELECTION**

MODEL \_\_\_\_\_ **BX-16H**  
 DIN rail is provided as standard.



**ORDERING INFORMATION**

Specify code number. (e.g. BX-16H)

**RELATED PRODUCTS**

- Mounting Block (model: MB-16)

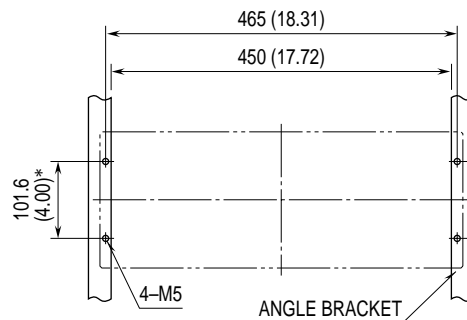
**GENERAL SPECIFICATIONS**

**Construction:** metal plates assembly  
**Material:** SPCC  
**Coating:** melamine resin  
**Mounting**  
     **Direct mounting:** base sockets attached directly on the backplate with screws  
     **DIN rail:** spring loaded brake on base socket provided  
     **Mounting Block:** I/P transducers need Mounting Blocks.  
**Capacity:** 16 positions max.

**INSTALLATION**

**Mounting:** angle bracket; JIS or EIA standard rack  
**Dimensions:** W483×H150×D180 mm (19.02"×5.91"×7.87")  
**Weight:** 2 kg (4.41 lbs)

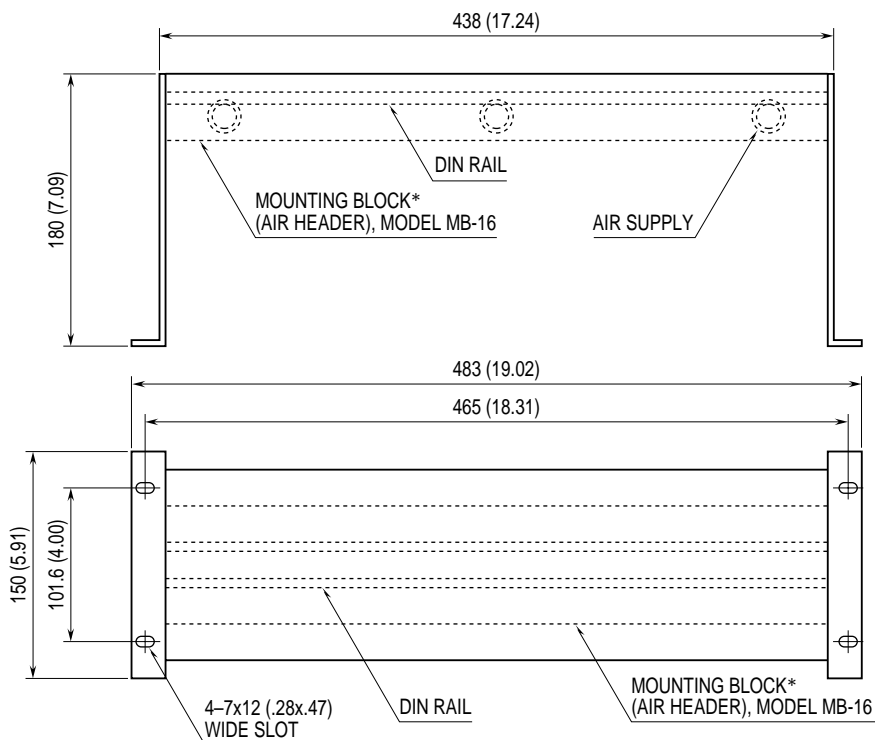
**MOUNTING REQUIREMENTS mm (inch)**



Observe an appropriate wiring space below.  
 \*100 (3.94) for JIS standard

**EXTERNAL DIMENSIONS mm (inch)**

**STANDARD RACK MOUNTING FRAME (model: BX-16H)**



\*The MB-16 is to be separately ordered.

**DIN RAIL**

