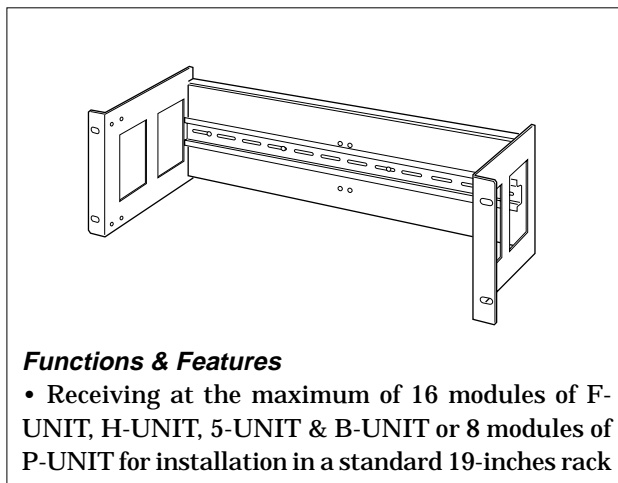


**STANDARD RACK MOUNTING FRAME**

MODEL **BX-16H**

**MODEL & SUFFIX CODE SELECTION**

MODEL \_\_\_\_\_ **BX-16H**  
 DIN rail is provided as standard.



**Functions & Features**

- Receiving at the maximum of 16 modules of F-UNIT, H-UNIT, 5-UNIT & B-UNIT or 8 modules of P-UNIT for installation in a standard 19-inches rack

**ORDERING INFORMATION**

Specify code number. (e.g. BX-16H)

**RELATED PRODUCTS**

- Mounting Block (model: MB-16)

**GENERAL SPECIFICATIONS**

**Construction:** metal plates assembly

**Material:** SPCC

**Coating:** melamine resin

**Mounting**

**Direct mounting:** base sockets attached directly on the backplate with screws

**DIN rail:** spring loaded brake on base socket provided

**Mounting Block:** I/P transducers need Mounting Blocks.

**Capacity:** 16 positions max.

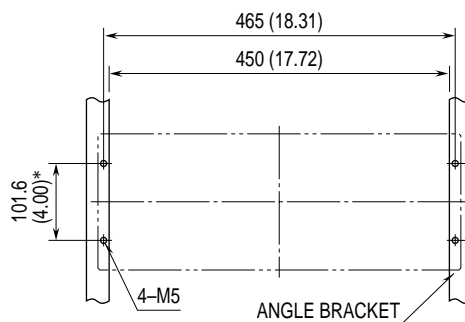
**INSTALLATION**

**Mounting:** angle bracket; JIS or EIA standard rack

**Dimensions:** W483×H150×D180 mm (19.02"×5.91"×7.87")

**Weight:** 2 kg (4.41 lbs)

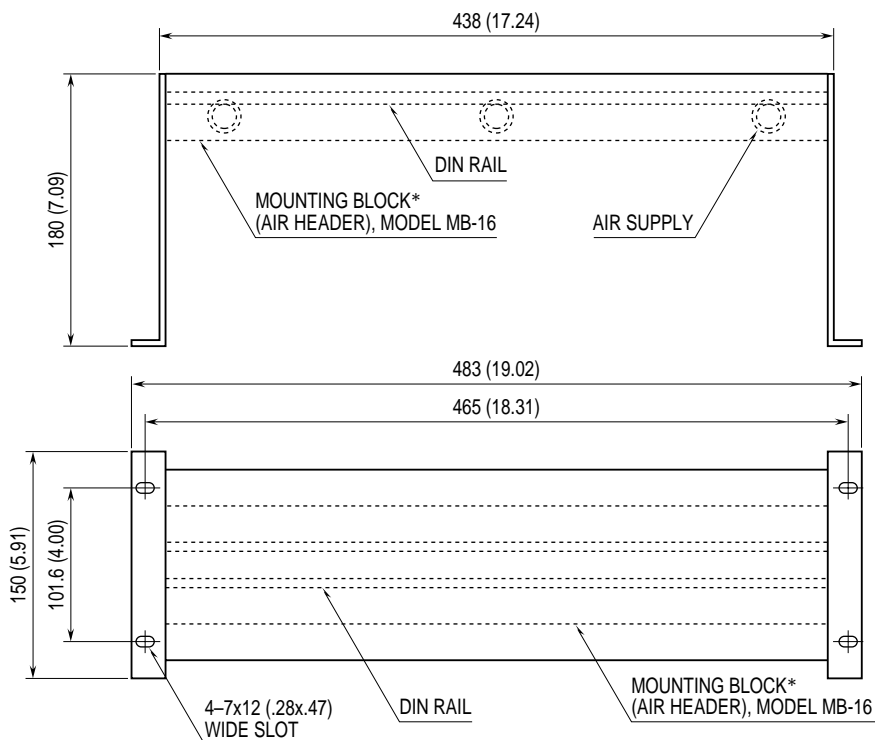
**MOUNTING REQUIREMENTS mm (inch)**



Observe an appropriate wiring space below.  
 \*100 (3.94) for JIS standard

**EXTERNAL DIMENSIONS mm (inch)**

**STANDARD RACK MOUNTING FRAME (model: BX-16H)**



\*The MB-16 is to be separately ordered.

**DIN RAIL**

