

Head-mounted Two-wire Signal Conditioners 26-UNIT

blank: Upscale burnout
/BL: Downscale burnout

RTD TRANSMITTER

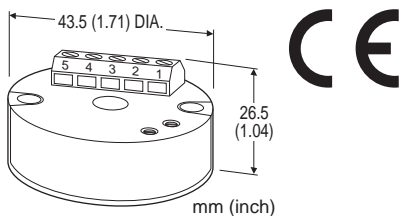
(isolated)

Functions & Features

- Accepts direct input from an RTD and provides a standard 4 - 20 mA DC signal
- Linearization and burnout
- Wide operating temperature range suitable for harsh environments
- CE marking

Typical Applications

- Mounting in a sensor connection head minimizes noise effect and signal degradation



MODEL: 26RS-[1][2]

ORDERING INFORMATION

- Code number: 26RS-[1][2]
- Specify a code from below for each [1], [2].
(e.g. 26RS-4/K/BL)
- Temperature range (e.g. 0 - 100°C)

[1] INPUT RTD (2- or 3-wire)

1: JPt 100 (JIS '89)

(Usable range: -100 to +500°C, -148 to +932°F, min.span: 50°C, 90°F)

3: Pt 100 (JIS '89)

(Usable range: -100 to +650°C, -148 to +1202°F, min.span: 50°C, 90°F)

4: Pt 100 (JIS '97, IEC)

(Usable range: -100 to +850°C, -148 to +1562°F, min.span: 50°C, 90°F)

5: Pt 50Ω (JIS '81)

(Usable range: -100 to +500°C, -148 to +932°F, min.span: 100°C, 180°F)

6: Ni 508.4 Ω

(Usable range: -50 to +200°C, -58 to +392°F; min.span: 30°C, 54°F)

[2] OPTIONS (multiple selections)

RESPONSE TIME (0 - 90 %)

blank: Standard (≤ 0.5 sec.)

/K: Fast Response (Approx. 25 msec.)

BURNOUT

GENERAL SPECIFICATIONS

Construction: Sensor head-mounting

Connection: Euro terminal

Applicable wire size: 0.2 - 1.5 mm²

Housing material: Flame-resistant resin (black)

Isolation: Input to output

Zero adjustment: -1 to +1 % (front)

Span adjustment: 99 to 101 % (front)

Linearization: Standard

INPUT SPECIFICATIONS

INPUT: 2- or 3-wire RTDs

Maximum leadwire resistance: 20 Ω per wire (3-wire)

Sensing current: 0.7 mA (Pt); 0.35 mA (Ni 508.4 Ω)

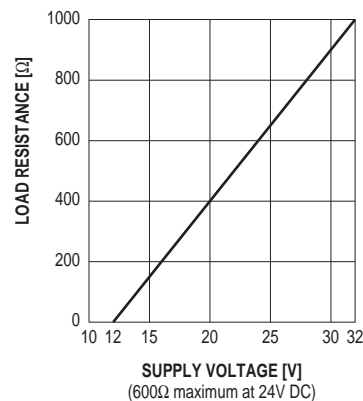
OUTPUT SPECIFICATIONS

■ **OUTPUT:** 4 - 20 mA DC

Load resistance vs. supply voltage:

Load Resistance (Ω) = (Supply Voltage (V) - 12 (V)) / (0.02 (A))

(including leadwire resistance)



INSTALLATION

Supply voltage: 12 - 32 V DC

Operating temperature: -40 to +85°C (-40 to +185°F)

Operating humidity: 0 to 90 %RH (non-condensing)

Mounting: Head-mounting (DIN type B head)

Weight: 20 g (0.71 oz)

PERFORMANCE in percentage of span

Accuracy: ±0.2 %

Temp. coefficient: ±0.02 %/°C (±0.01 %/°F)

Burnout response: ≤ 10 sec.

Insulation resistance: ≥ 100 MΩ with 500 V DC



幸託有限公司
XIN TOP CORPORATION

TEL : (02)2598-1199

FAX : (02)2596-2331

E-mail : info@xintop.com

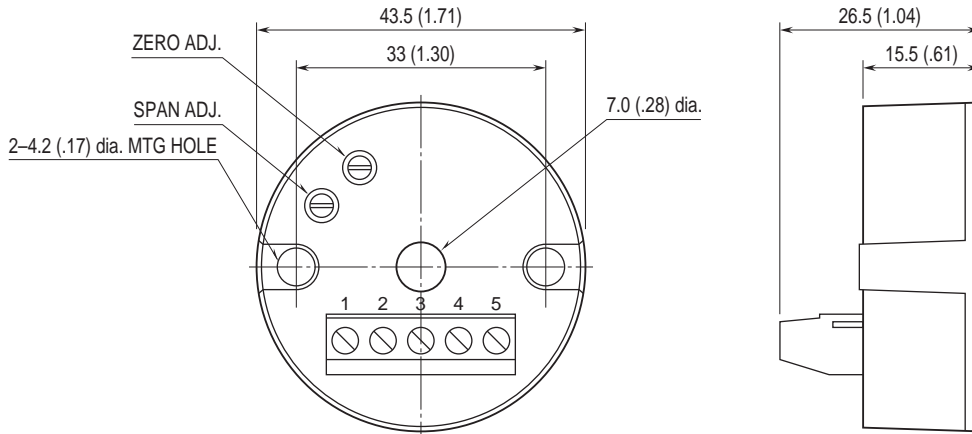
Website : www.xintop.com

Dielectric strength: 2000 V AC @1 minute
(input to output to ground)

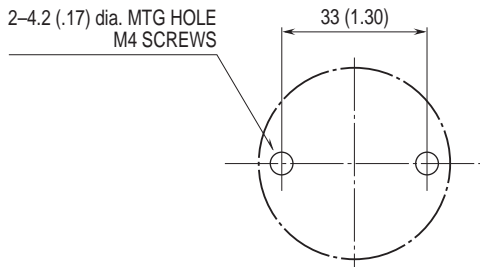
STANDARDS & APPROVALS

CE conformity:
EMC Directive (2004/108/EC)
EMI EN 61000-6-4
EMS EN 61000-6-2

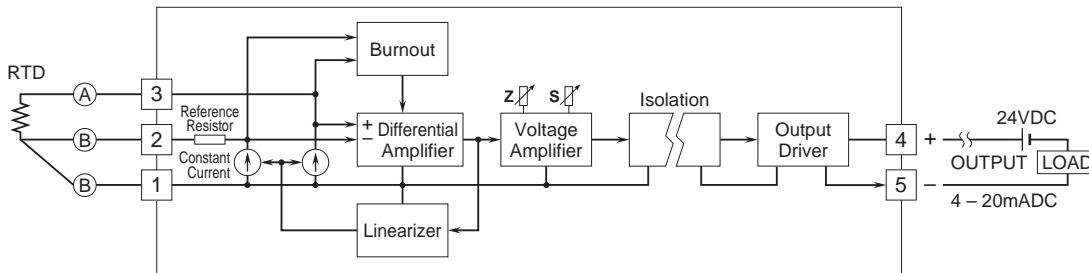
DIMENSIONS unit: mm (inch)



MOUNTING REQUIREMENTS unit: mm (inch)



SCHEMATIC CIRCUITRY & CONNECTION DIAGRAM





Specifications are subject to change without notice.

