

Rack-mounted DCS Signal Conditioners 18-RACK

VOLTAGE GENERATOR

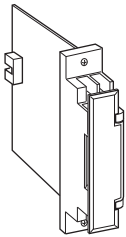
(for testing)

Functions & Features

- Generating DC voltage signals
- Output voltages are easily adjustable

Typical Applications

- Generated voltages can be used for function checks of the entire control system



MODEL: 18YVT-066-R

ORDERING INFORMATION

- Code number: 18YVT-066-R

INPUT

0: None

OUTPUT 1

Voltage

6: 1 - 5 V DC (Load resistance 2000 Ω min.)

OUTPUT 2

Voltage

6: 1 - 5 V DC (Load resistance 2000 Ω min.)

POWER INPUT

DC Power

R: 24 V DC

(Operational voltage range 24 V \pm 10 %, ripple 10 %p-p max.)

GENERAL SPECIFICATIONS

Construction: Rack-mounted; terminal access via screw terminals on the front and connector on the rear; terminal cover provided

Connection

Output 1 & 2: Connector

Monitor output: M3.5 screw terminals (torque 0.8 N·m)

Power input: Supplied from connector

Screw terminal: Nickel-plated steel

Isolation: Output to power

(all outputs internally connected)

OUTPUT SPECIFICATIONS

Output: 1 - 5 V DC

Output adjustment: 270°-turn screwdriver (front)

INSTALLATION

Power consumption

- DC: Approx. 15 mA

Operating temperature: -5 to +55°C (23 to 131°F)

Operating humidity: 30 to 90 %RH (non-condensing)

Mounting: Standard Rack 18BXx or 18KBXx

Weight: 150 g (0.33 lbs)

PERFORMANCE in percentage of span

Line voltage effect: \pm 0.5 % over voltage range

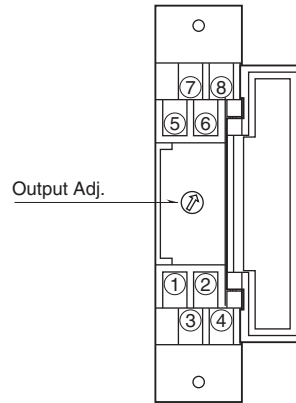
Insulation resistance: \geq 100 M Ω with 500 V DC

Dielectric strength: 500 V AC @ 1 minute (output to power)

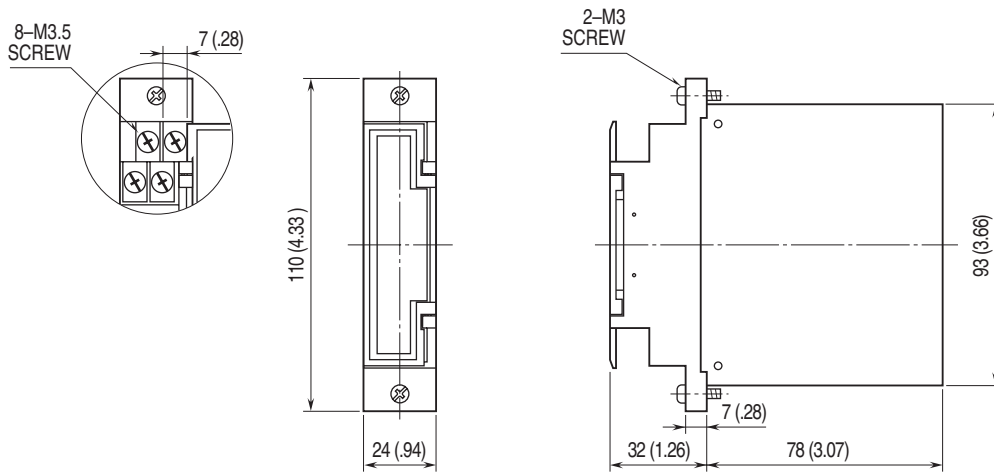
1500 V AC @ 1 minute (output or power to ground)



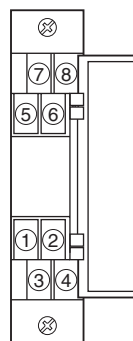
EXTERNAL VIEW



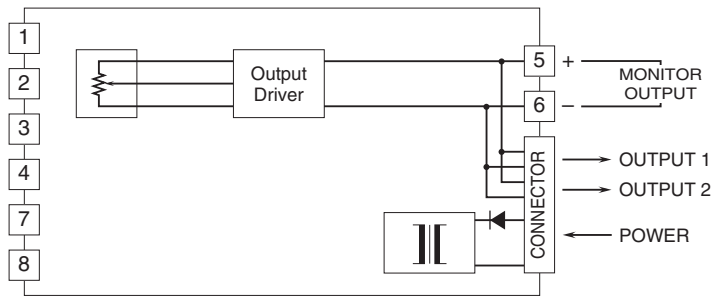
DIMENSIONS unit: mm (inch)



TERMINAL ASSIGNMENTS



SCHEMATIC CIRCUITRY & CONNECTION DIAGRAM



Note: Output 1, 2 and monitor outputs are all internally connected.



Specifications are subject to change without notice.

