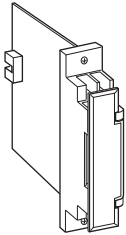


## Rack-mounted DCS Signal Conditioners 18-RACK

### CONTROL OUTPUT ISOLATOR

#### Functions & Features

- Accepting a 4 - 20mA DC input and providing an isolated 4 - 20 mA DC output
- Input from the Standard Rack connector can be monitored at the front terminals
- Opencircuit detection



### MODEL: 18YC-AA-R

#### ORDERING INFORMATION

- Code number: 18YC-AA-R

#### INPUT

##### Current

A: 4 - 20 mA DC (Input resistance 250 Ω)

#### OUTPUT

##### Current

A: 4 - 20 mA DC (Load resistance 600 Ω max.)

#### POWER INPUT

##### DC Power

R: 24 V DC

(Operational voltage range 24 V ±10 %, ripple 10 %p-p max.)

#### GENERAL SPECIFICATIONS

**Construction:** Rack-mounted; terminal access via screw terminals on the front and connector on the rear; terminal cover provided

##### Connection

**Input:** Connector

**Input monitor:** M3.5 screw terminals (torque 0.8 N·m)

**Output:** M3.5 screw terminals (torque 0.8 N·m)

**Power input:** Supplied from connector

**Screw terminal:** Nickel-plated steel

**Isolation:** Input to output to power

**Zero adjustment:** -5 to +5 % (front)

**Span adjustment:** 95 to 105 % (front)

**Opencircuit detection:** input current 0 mA when the output loop is open.

#### OUTPUT SPECIFICATIONS

The output goes below 0 % when the input is open.

#### INSTALLATION

##### Power consumption

•DC: Approx. 50 mA

**Operating temperature:** -5 to +55°C (23 to 131°F)

**Operating humidity:** 30 to 90 %RH (non-condensing)

**Mounting:** Standard Rack 18BXx or 18KBXx

**Weight:** 150 g (0.33 lbs)

#### PERFORMANCE in percentage of span

**Accuracy:** ±0.1 %

**Temp. coefficient:** ±0.015 %/°C (±0.008 %/°F)

**Response time:** ≤ 0.5 sec. (0 - 90 %)

**Line voltage effect:** ±0.1 % over voltage range

**Insulation resistance:** ≥ 100 MΩ with 500 V DC

**Dielectric strength:** 1500 V AC @ 1 minute

(output to input or power)

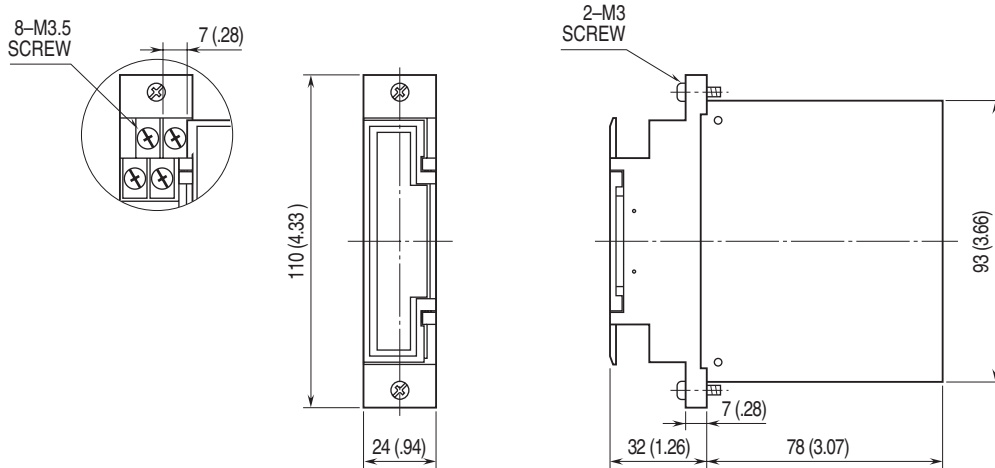
500 V AC @ 1 minute (input to power)

1500 V AC @ 1 minute

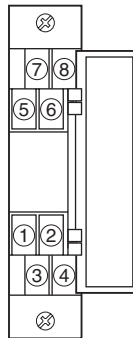
(input or output or power to ground)



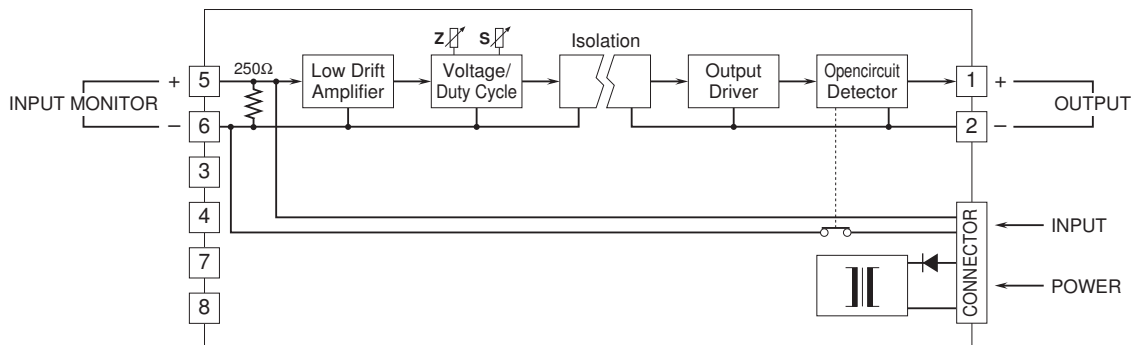
**DIMENSIONS unit: mm (inch)**



**TERMINAL ASSIGNMENTS**



**SCHEMATIC CIRCUITRY & CONNECTION DIAGRAM**



Specifications are subject to change without notice.

