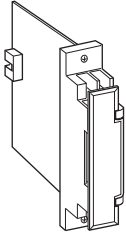


Rack-mounted DCS Signal Conditioners 18-RACK

CONTACT OUTPUT MODULE

Functions & Features

- Buffer relay for providing signals from a DCS system



MODEL: 18DO-1-R

ORDERING INFORMATION

- Code number: 18DO-1-R

INPUT

Dry contact or open collector

OUTPUT

Relay contact

POWER INPUT

DC Power

R: 24 V DC

(Operational voltage range 24 V \pm 10 %, ripple 10 %p-p max.)

GENERAL SPECIFICATIONS

Construction: Rack-mounted; terminal access via screw terminals on the front and connector on the rear; terminal cover provided

Connection

Input: Connector

Output: M3.5 screw terminals (torque 0.8 N·m)

Power input: Supplied from connector

Screw terminal: Nickel-plated steel

Isolation: Input or power to output

Indicator LED: Red lights turn on when the coil is energized.

Test switch

AUTO: Relay energized at ON input

OFF: Forced relay de-energized

ON: Forced relay energized

INPUT SPECIFICATIONS

• **Input:** Dry contact or open collector

Sensing: 24 V DC @ 20 mA

OUTPUT SPECIFICATIONS

• **Output:** SPDT relay

Rating: 120 V AC @ 1 A (cos ϕ = 1)

30 V DC @ 1A (resistive load)

Electrical life $\geq 1 \times 10^5$ cycles

Maximum switching voltage: 264 V AC or 100 V DC

Maximum switching power: 120 VA or 30 W

Minimum load: 5 V DC @ 10 mA

Mechanical life: 5×10^7 cycles

For maximum relay life with inductive

loads, external protection is recommended.

INSTALLATION

Power consumption

• **DC:** Approx. 20 mA

Operating temperature: -5 to +55°C (23 to 131°F)

Operating humidity: 30 to 90 %RH (non-condensing)

Mounting: Standard Rack 18BXx or 18KBXx

Weight: 150 g (0.33 lb)

PERFORMANCE

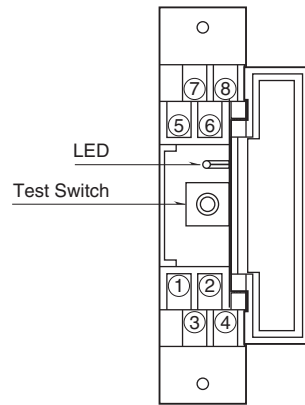
Insulation resistance: $\geq 100 \text{ M}\Omega$ with 500 V DC

Dielectric strength: 1500 V AC @ 1 minute

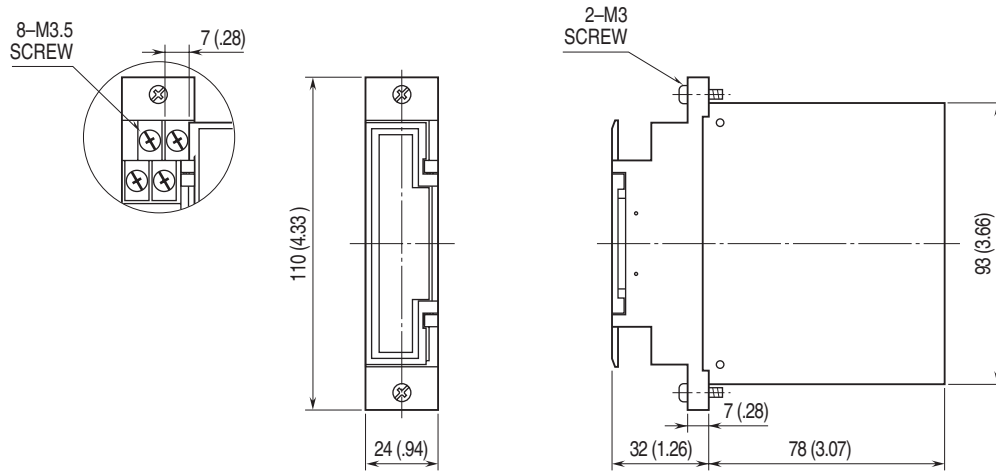
(input or power to output to ground)



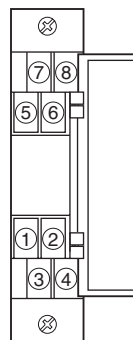
EXTERNAL VIEW



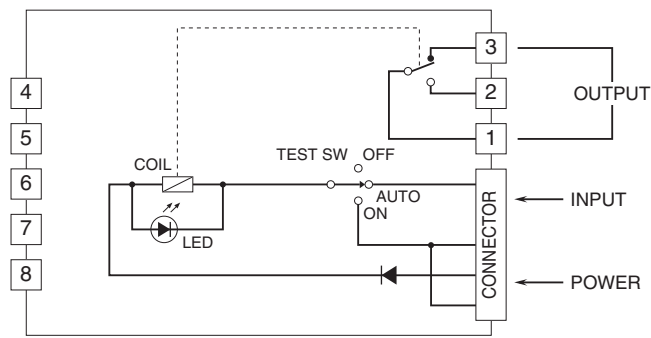
DIMENSIONS unit: mm (inch)



TERMINAL ASSIGNMENTS



CONNECTION DIAGRAM



Specifications are subject to change without notice.

