

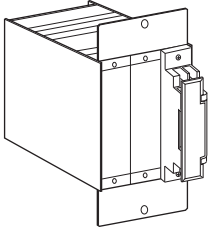
## Rack-mounted DCS Signal Conditioners 18-RACK

### STANDARD RACK

(2 positions, with air manifold)

#### Functions & Features

- Standard rack for I/P transducer (model: 18VP) and other 18-RACK signal conditioners
- Line power supplied via the rear rack bus
- Supply pressure at the manifold plug



### MODEL: 18BXUA-[1]

#### ORDERING INFORMATION

- Code number: 18BXUA-[1]

Specify a code from below for [1].

(e.g. 18BXUA-K)

#### [1] POWER SUPPLY UNIT

##### AC Power

K: 85 - 132 V AC

(Operational voltage range 85 - 132 V, 47 - 63 Hz)

##### DC Power

R: 24 V DC

(Operational voltage range 24 V  $\pm$ 10 %, ripple 10 %p-p max.)

#### RELATED PRODUCTS

- Blank filler plate (model: P-181)

#### GENERAL SPECIFICATIONS

**Construction:** Metal plates assembly

**Coating:** Black Zn-Cr

**Capacity:** 2 positions

##### Connection

**I/O:** M3.5 screw terminals (torque 0.8 N·m)

**Power input:** M3.5 screw terminals (torque 0.8 N·m)

**Pneumatic:** Rc 1/4" female (torque  $\leq$  12 N·m)

**Screw terminal:** Nickel-plated brass

**Manifold:** Aluminium alloy

#### INSTALLATION

##### Power consumption

• **AC:** 85 - 132 V, 47 - 63 Hz, 15 VA maximum

• **DC:** 24 V DC  $\pm$ 10 %, (ripple 10 % p-p max.)

**Operating temperature:** -5 to 55°C (23 to 131°F)

0 to 55°C (32 to 131°F) for AC power

**Operating humidity:** 30 to 90 %RH (non-condensing)

**Mounting:** Angle bracket

**Weight:** 1.5 kg (3.3 lb)

#### PERFORMANCE

**Insulation resistance:**  $\geq$  100 M $\Omega$  with 500 V DC

(I/O to power to FG)

**Dielectric strength:** 500 V AC @ 1 minute

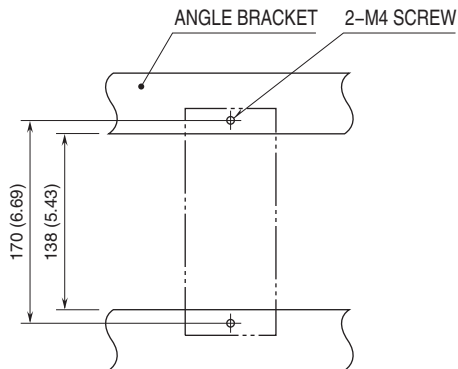
(I/O to power to FG)

**Maximum supply pressure:** 196 kPa

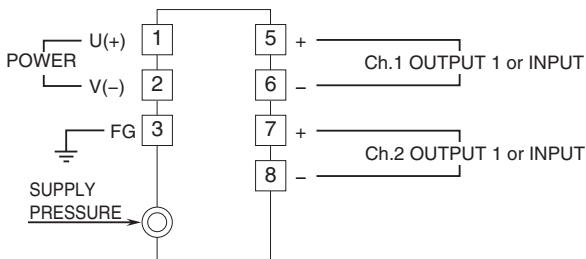
(2 kgf/cm<sup>2</sup>, 1.96 bar, 28 psig)



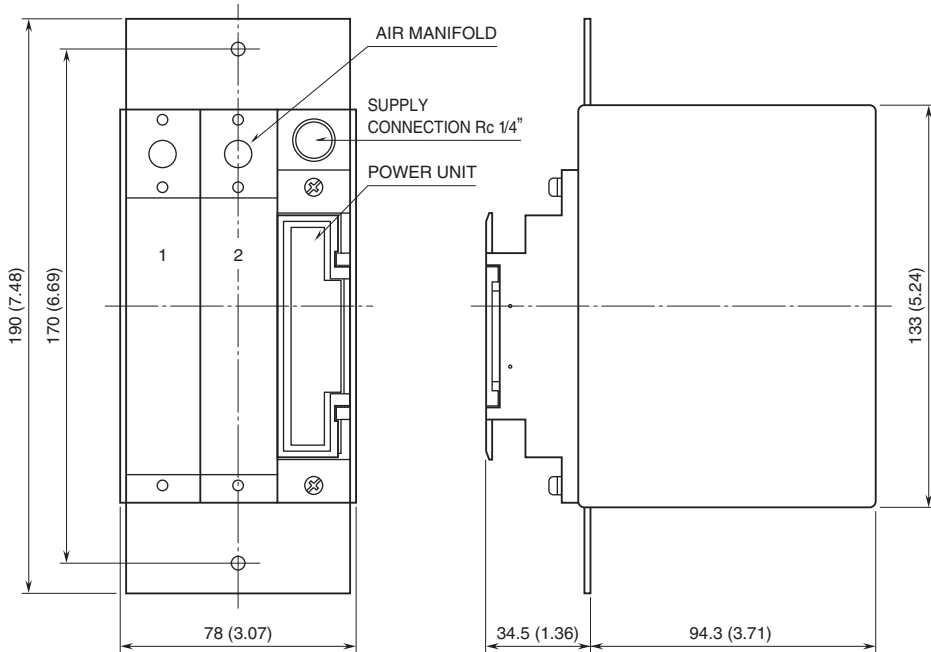
**MOUNTING REQUIREMENTS unit: mm (inch)**



**CONNECTION DIAGRAM**



**DIMENSIONS unit: mm (inch)**



Specifications are subject to change without notice.

