

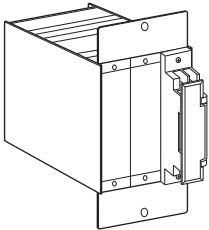
Rack-mounted DCS Signal Conditioners 18-RACK

STANDARD RACK

(2 positions)

Functions & Features

- Standard rack for 18-RACK signal conditioners
- Line power supplied via the rear rack bus



0 to 55°C (32 to 131°F) for AC power

Operating humidity: 30 to 90 %RH (non-condensing)

Mounting: Angle bracket

Weight: Approx. 1 kg (2.21 lb)

PERFORMANCE

Insulation resistance: $\geq 100 \text{ M}\Omega$ with 500 V DC

(I/O to power to FG)

Dielectric strength: 500 V AC @ 1 minute

(I/O to power to FG)

MODEL: 18BXU-[1]

ORDERING INFORMATION

- Code number: 18BXU-[1]

Specify a code from below for [1].

(e.g. 18BXU-K)

[1] POWER SUPPLY UNIT

AC Power

K: 85 - 132 V AC

(Operational voltage range 85 - 132 V, 47 - 63 Hz)

DC Power

R: 24 V DC

(Operational voltage range 24 V $\pm 10\%$, ripple 10 %p-p max.)

RELATED PRODUCTS

- Blank filler plate (model: P-181)

GENERAL SPECIFICATIONS

Construction: Metal plates assembly

Coating: Black Zn-Cr

Capacity: 2 positions

Connection

I/O: M3.5 screw terminals (torque 0.8 N·m)

Power input: M3.5 screw terminals (torque 0.8 N·m)

Screw terminal: Nickel-plated steel

INSTALLATION

Power input

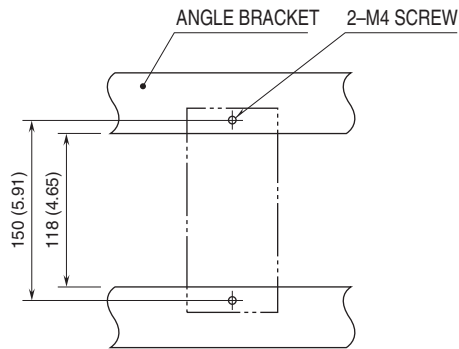
•AC: 85 - 132 V, 47 - 63 Hz, 15 VA maximum

•DC: 24 V DC $\pm 10\%$, (ripple 10 % p-p max.)

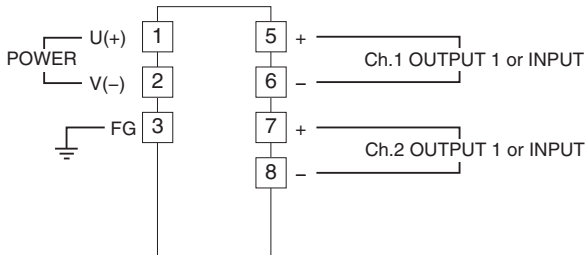
Operating temperature: -5 to 55°C (23 to 131°F)



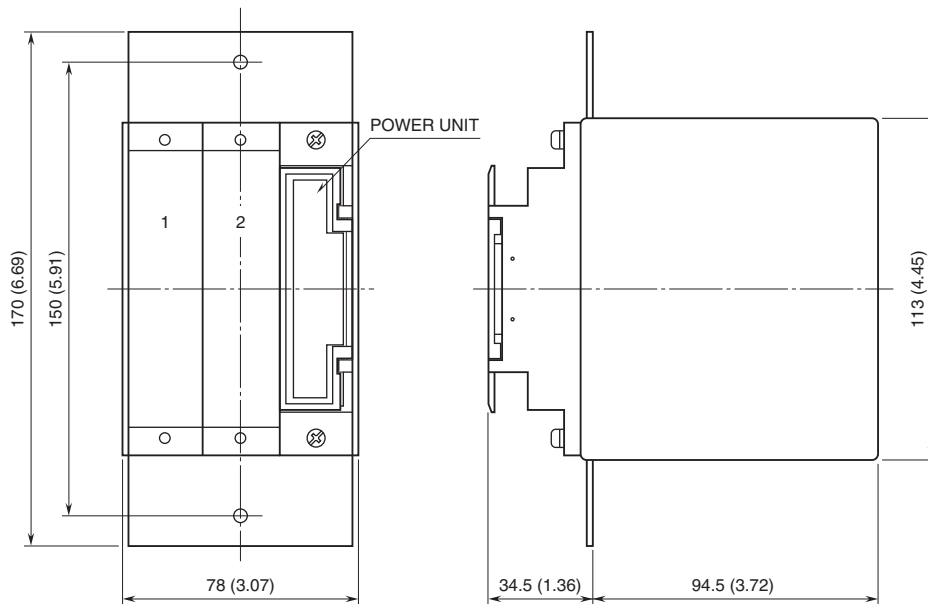
MOUNTING REQUIREMENTS unit: mm (inch)



CONNECTION DIAGRAM



DIMENSIONS unit: mm (inch)



Specifications are subject to change without notice.